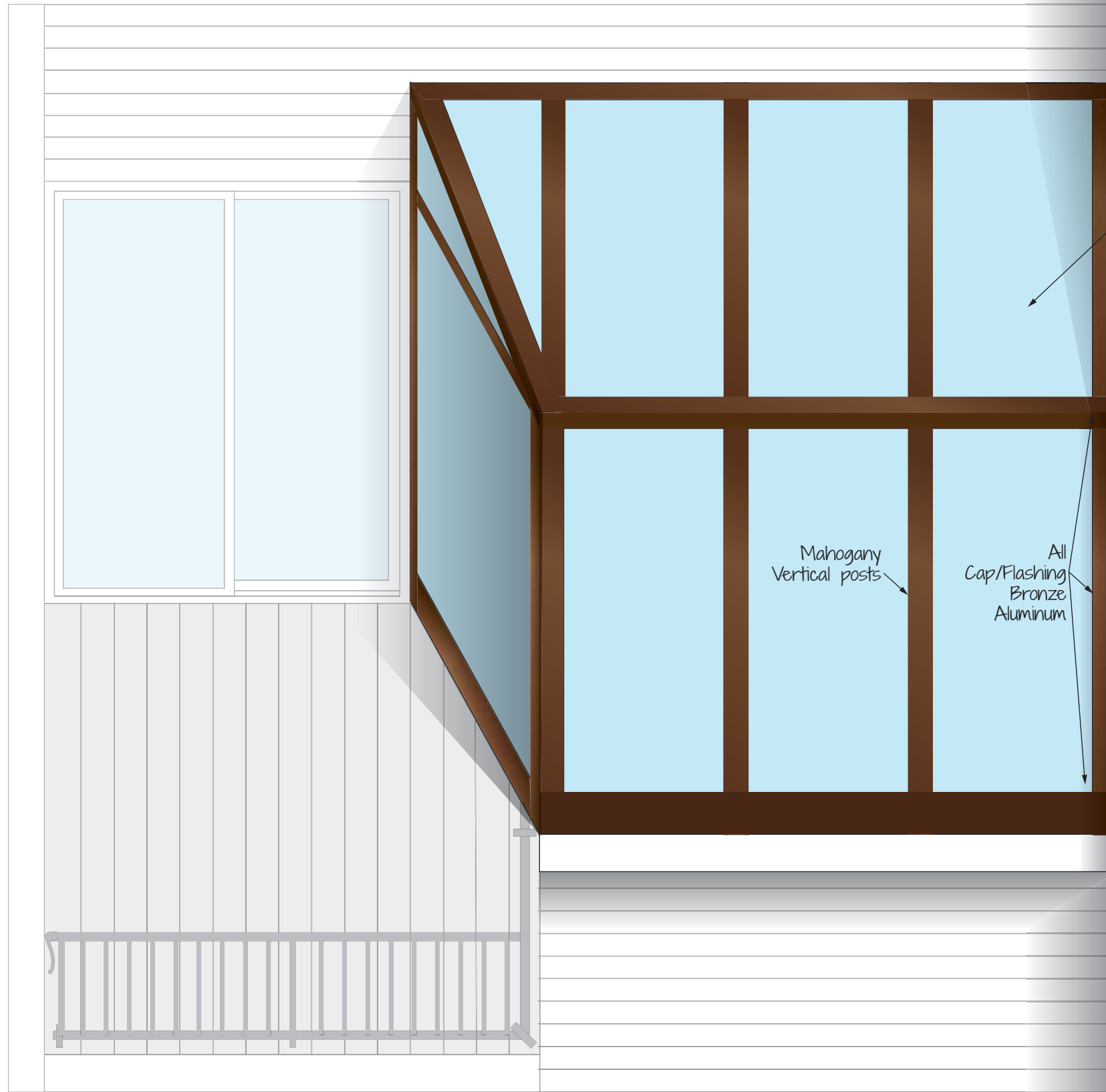


Christopher Goepfert – 500 Market Street Unit 14R – Solarium Window



# COMP - PROJECTION

SCALE: 1/2" = 1ft



Roof IGU  
Solarban 70  
Insulated Temp/Lam

Mahogany  
Vertical posts

All  
Cap/Flashing  
Bronze  
Aluminum

Existing  
Basewall  
to remain

THESE DRAWINGS ARE THE PROPERTY OF SUNSPACE DESIGN INC.  
AND SHALL NOT BE DUPLICATED OR ALTERED UNDER ANY CIRCUMSTANCES  
WITHOUT PERMISSION OF SUNSPACE DESIGN INC.

**PROJECT ADDRESS**

500 Market St, Portsmouth, NH

DATE: 7/16/23

CAD FILE:

All dimensions & construction details must be reviewed & verified by the contractor.  
Any discrepancies or changes must be sent to Sunspace Design Inc.  
Contractor is fully responsible for code compliant construction. Sunspace Design  
assumes no responsibility for errors or revisions in these drawings or in the  
construction by others.

Unit #14

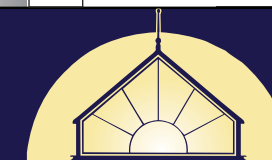
SCALE: 1/2" = 1ft

DRAWN BY: TDH

TITLE: Comp View

SHEET: 1A

PAGE: 1



**SUNSPACE DESIGN**

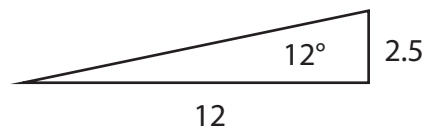
CONSERVATORIES • GREENHOUSES • CUSTOM SKYLIGHTS  
PLANNING • DESIGN • CONSTRUCTION

est. 1981

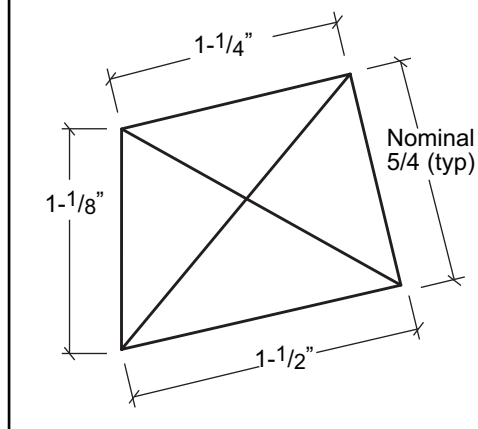
29 Seamist Lane, York, ME 03909 / ph: (800) 530-2505  
www.sunspacedesign.com

# SECTION VIEW DETAIL

SCALE: 1" = 2"



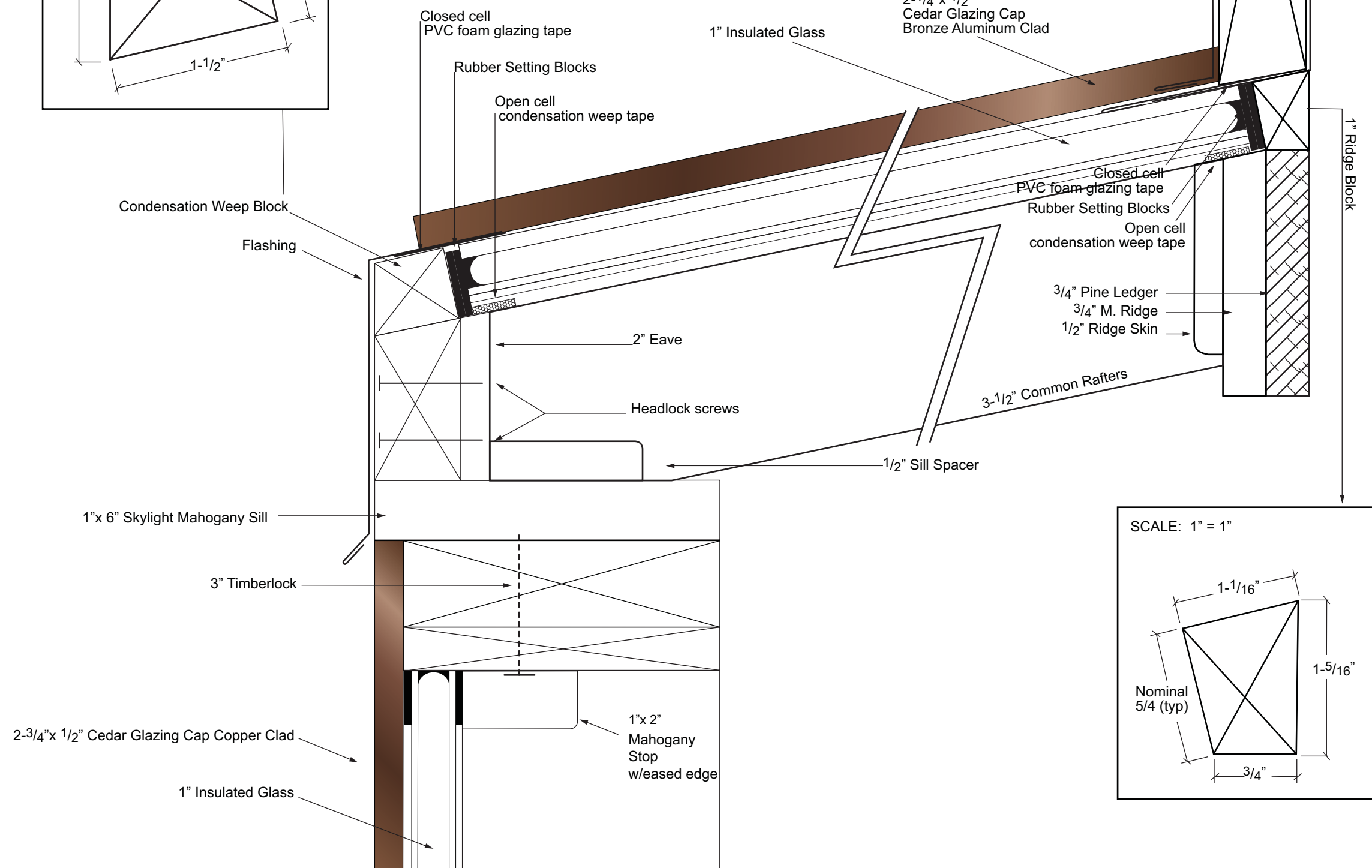
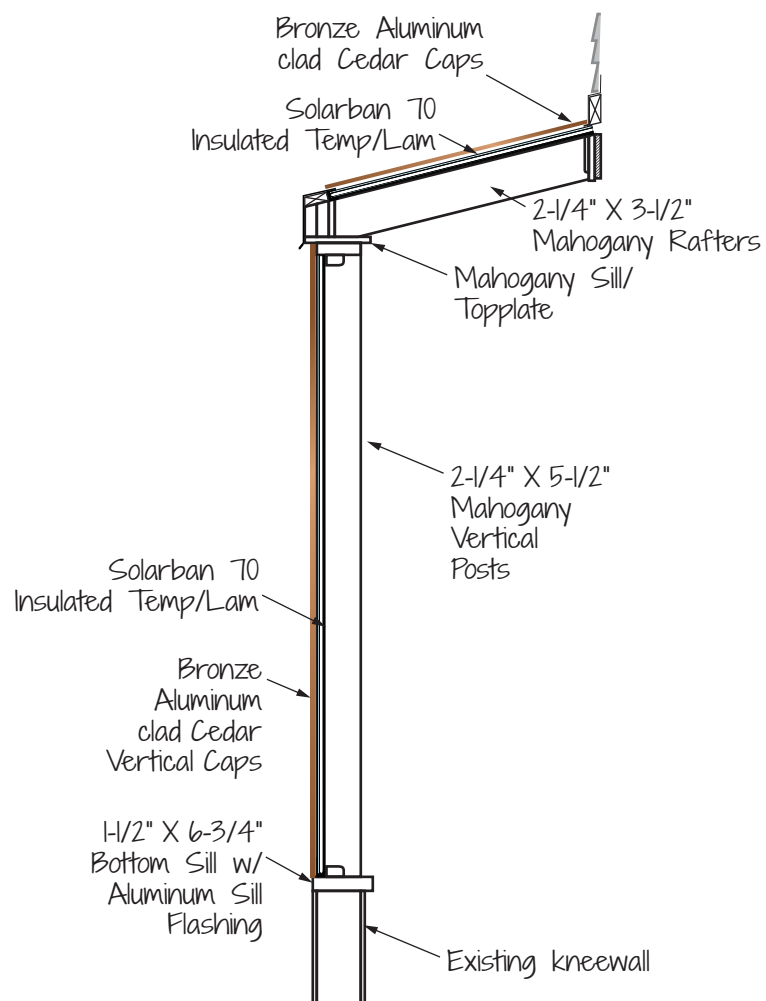
SCALE: 1" = 1"



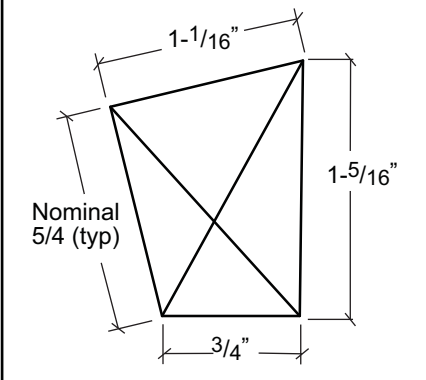
# SECTION VIEW

To match existing as closely as possible

SCALE: 1" = 1ft



SCALE: 1" = 1"




THESE DRAWINGS ARE THE PROPERTY OF SUNSPACE DESIGN INC. AND SHALL NOT BE DUPLICATED OR ALTERED UNDER ANY CIRCUMSTANCES WITHOUT PERMISSION OF SUNSPACE DESIGN INC.

All dimensions & construction details must be reviewed & verified by the contractor. Any discrepancies or changes must be sent to Sunspace Design Inc. Contractor is fully responsible for code compliant construction. Sunspace Design assumes no responsibility for errors or revisions in these drawings or in the construction by others.

PROJECT ADDRESS	
500 Market St, Portsmouth, NH	
Unit #14	
TITLE: Cross Section-n-Detail	

DATE:	7/20/23
SCALE:	As Marked
SHEET:	1B

CAD FILE:	
DRAWN BY:	TDH
PAGE:	1



## SUNSPACE DESIGN

CONSERVATORIES • GREENHOUSES • CUSTOM SKYLIGHTS  
PLANNING • DESIGN • CONSTRUCTION  
est. 1981

29 Seamist Lane, York, ME 03909 / ph: (800) 530-2505  
www.sunspacedesign.com