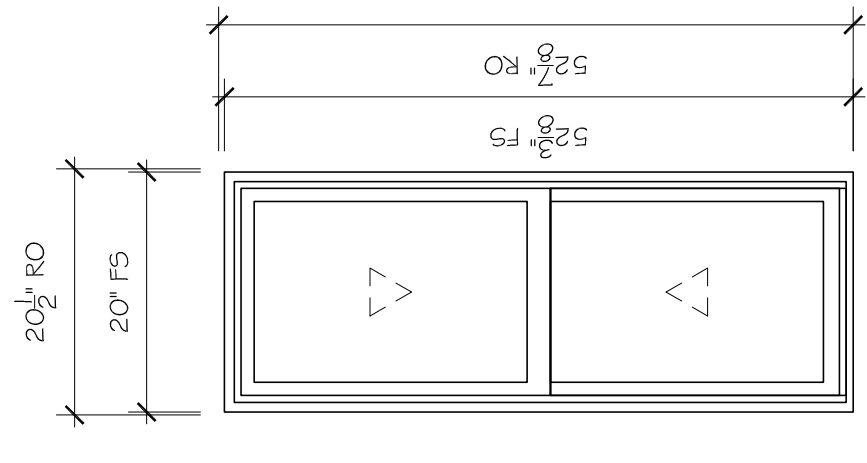


PLEASANT STREET - TYPICAL HIGH RISE - (2) UNITS



TYPE F-A (VINYL)
SCALE: 3/4" = 1'-0"

Qty: 6
Mark Unit: Type F-A (Vinyl)
Product Line: Essential
Unit Description: Essential Assembly
Single Opening: 20' X 52' 7/8"
Masonry Opening: 20' 1/2" X 51' 3/4"
Exterior Finish: Stone White
Species: None
Interior Finish: Stone White
Unit Type: Double Hung
Call Number: None
Glass Information: IG, Low E2 w/Argon, Stainless
Divider Type: None
Hardware Type: Sash Lock
Screen Type: Aluminum Screen
Hardware Color: White
Screen Surround Color: Stone White
Screen Mesh Type: Bright View Mesh
Jamb Depth: 2" Base Frame
Interior Trim: None
Exterior Casings: Casings Type: None
Subsill: None

Qty: 6
Mark Unit: Type F-A (Brick)
Product Line: Essential
Unit Description: Essential Assembly
Single Opening: 20' X 52' 7/8"
Masonry Opening: 20' 1/2" X 51' 3/4"
Exterior Finish: Stone White
Species: None
Interior Finish: Stone White
Unit Type: Double Hung
Call Number: None
Glass Information: IG, Low E2 w/Argon, Stainless
Divider Type: None
Hardware Type: Sash Lock
Screen Type: Aluminum Screen
Hardware Color: White
Screen Surround Color: Stone White
Screen Mesh Type: Bright View Mesh
Jamb Depth: 2" Base Frame
Interior Trim: None
Exterior Casings: Casings Type: None
Subsill: None

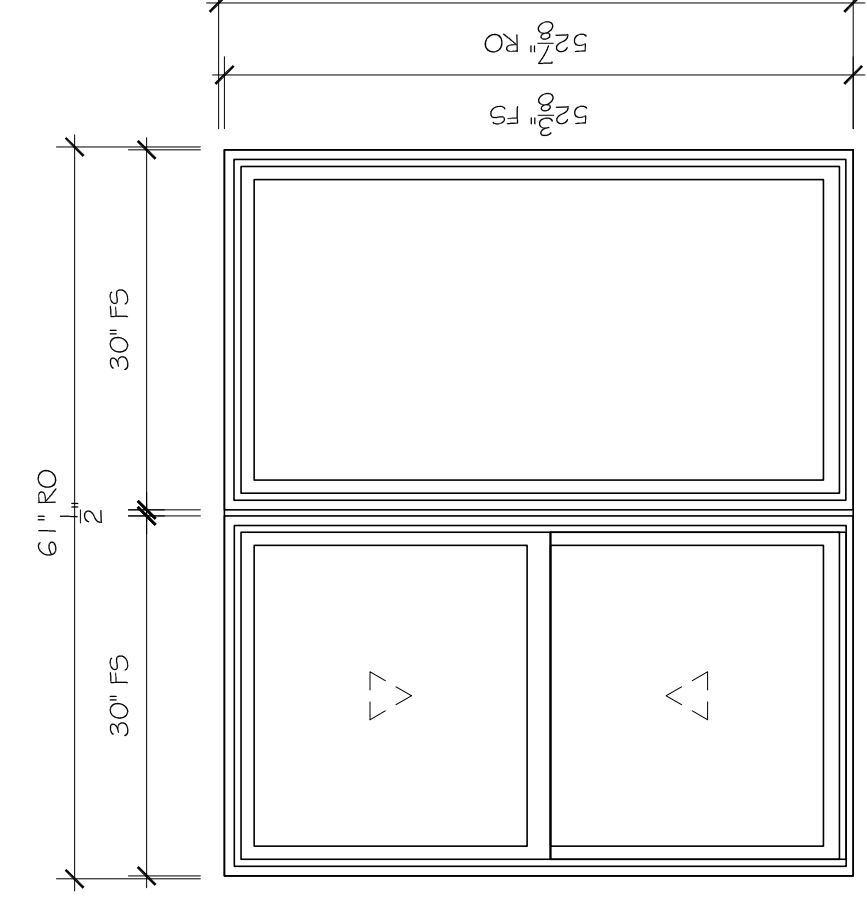
Qty: 4
Mark Unit: Type F-B (Vinyl)
Product Line: Essential
Unit Description: Essential Assembly
Single Opening: 30' X 30' 7/8"
Masonry Opening: 30' X 31' 3/4"
Exterior Finish: Stone White
Species: None
Interior Finish: Stone White
Unit Type: Double Hung
Call Number: None
Glass Information: IG, Low E2 w/Argon, Stainless
Divider Type: None
Hardware Type: Sash Lock
Screen Type: Aluminum Screen
Hardware Color: White
Screen Surround Color: Stone White
Screen Mesh Type: Bright View Mesh
Jamb Depth: 2" Base Frame
Interior Trim: None
Exterior Casings: Casings Type: None
Subsill: None

Qty: 4
Mark Unit: Type F-C (Vinyl)
Product Line: Essential
Unit Description: Essential Assembly
Single Opening: 30' X 30' 7/8"
Masonry Opening: 30' X 31' 3/4"
Exterior Finish: Stone White
Species: None
Interior Finish: Stone White
Unit Type: Double Hung
Call Number: None
Glass Information: IG, Low E2 w/Argon, Stainless
Divider Type: None
Hardware Type: Sash Lock
Screen Type: Aluminum Screen
Hardware Color: White
Screen Surround Color: Stone White
Screen Mesh Type: Bright View Mesh
Jamb Depth: 2" Base Frame
Interior Trim: None
Exterior Casings: Casings Type: None
Subsill: None

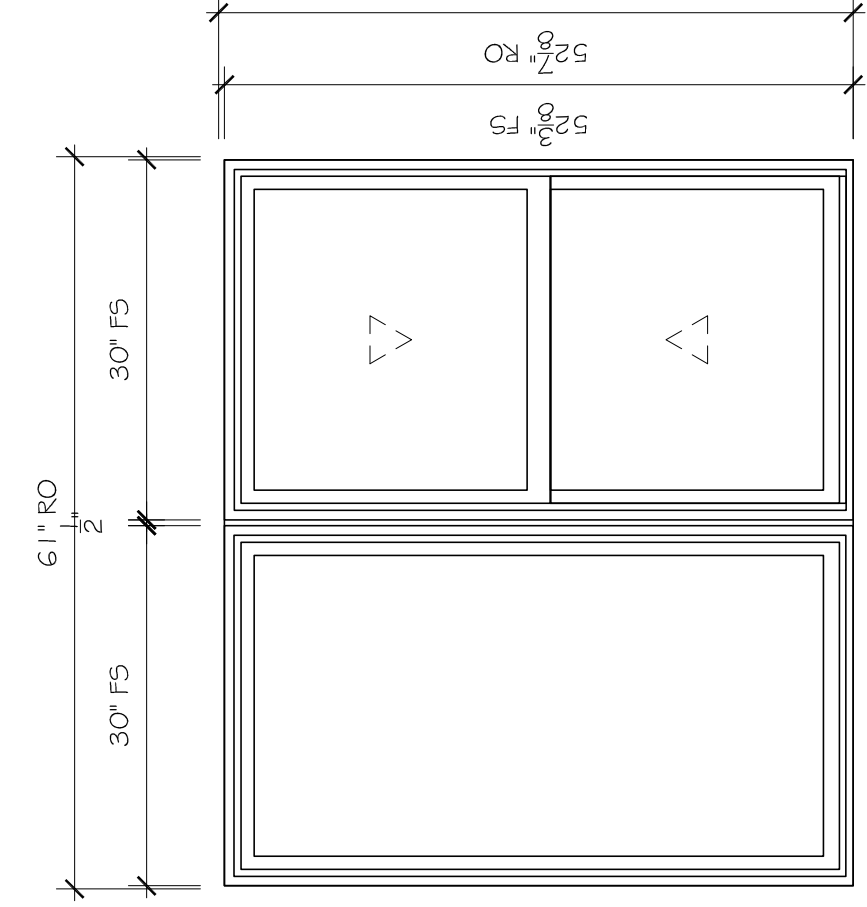
Qty: 2
Mark Unit: Type F-D (Vinyl)
Product Line: Essential
Unit Description: Essential Assembly
Single Opening: 41' X 52' 7/8"
Masonry Opening: 41' X 52' 5/8"
Exterior Finish: Stone White
Species: None
Interior Finish: Stone White
Unit Type: Double Hung
Call Number: None
Glass Information: IG, Low E2 w/Argon, Stainless
Divider Type: None
Hardware Type: Sash Lock
Screen Type: Aluminum Screen
Hardware Color: White
Screen Surround Color: Stone White
Screen Mesh Type: Bright View Mesh
Jamb Depth: 2" Base Frame
Interior Trim: None
Exterior Casings: Casings Type: None
Subsill: None

Qty: 4
Mark Unit: Type F-E (Vinyl)
Product Line: Essential
Unit Description: Essential Assembly
Single Opening: 41' X 52' 7/8"
Masonry Opening: 41' X 52' 5/8"
Exterior Finish: Stone White
Species: None
Interior Finish: Stone White
Unit Type: Double Hung
Call Number: None
Glass Information: IG, Low E2 w/Argon, Stainless
Divider Type: None
Hardware Type: Sash Lock
Screen Type: Aluminum Screen
Hardware Color: White
Screen Surround Color: Stone White
Screen Mesh Type: Bright View Mesh
Jamb Depth: 2" Base Frame
Interior Trim: None
Exterior Casings: Casings Type: None
Subsill: None

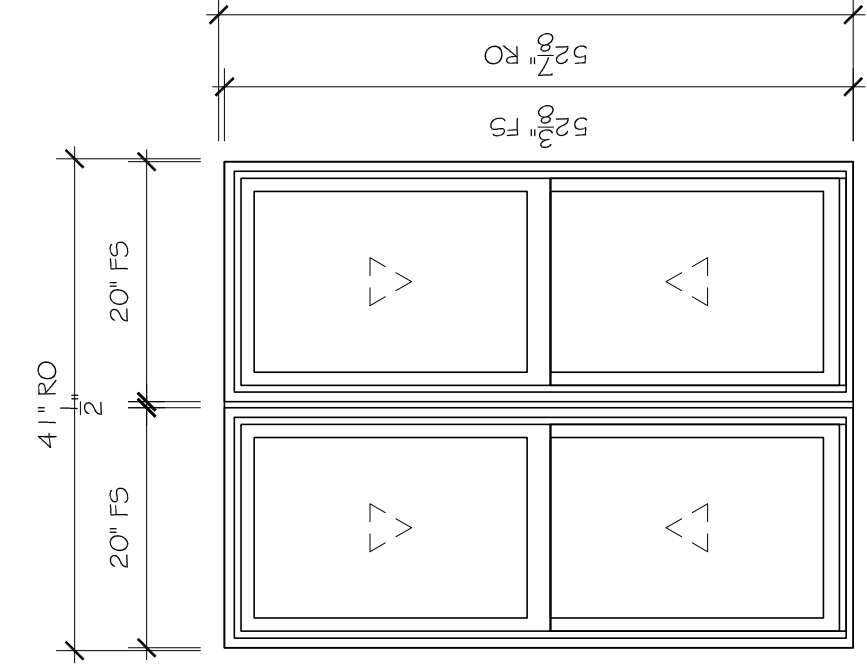
Qty: 4
Mark Unit: Type F-F (Vinyl)
Product Line: Essential
Unit Description: Essential Assembly
Single Opening: 41' X 52' 7/8"
Masonry Opening: 41' X 52' 5/8"
Exterior Finish: Stone White
Species: None
Interior Finish: Stone White
Unit Type: Double Hung
Call Number: None
Glass Information: IG, Low E2 w/Argon, Stainless
Divider Type: None
Hardware Type: Sash Lock
Screen Type: Aluminum Screen
Hardware Color: White
Screen Surround Color: Stone White
Screen Mesh Type: Bright View Mesh
Jamb Depth: 2" Base Frame
Interior Trim: None
Exterior Casings: Casings Type: None
Subsill: None



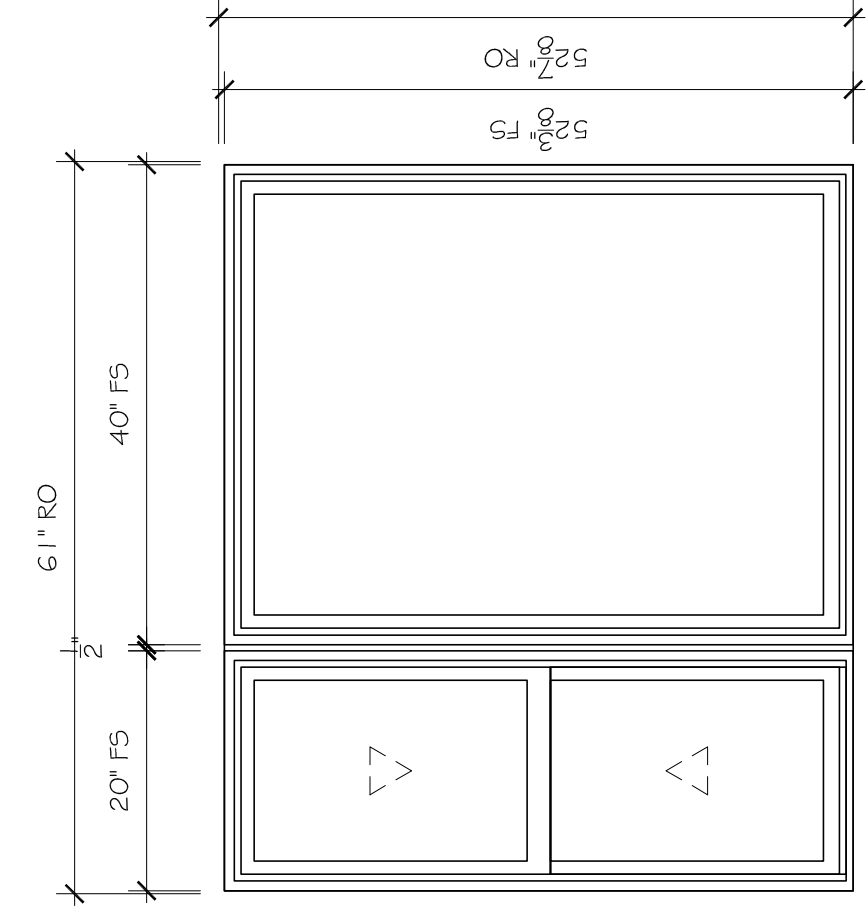
TYPE F-B (VINYL)
SCALE: 3/4" = 1'-0"



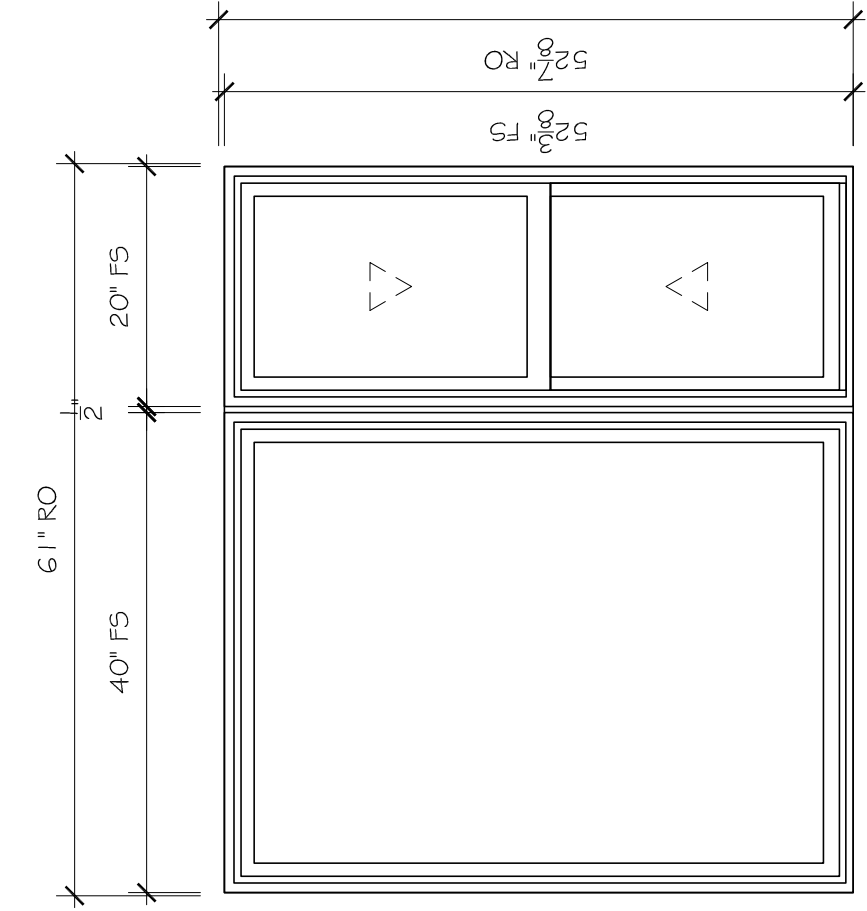
TYPE F-C (VINYL)
SCALE: 3/4" = 1'-0"



TYPE F-D (VINYL)
SCALE: 3/4" = 1'-0"



TYPE F-E (VINYL)
SCALE: 3/4" = 1'-0"

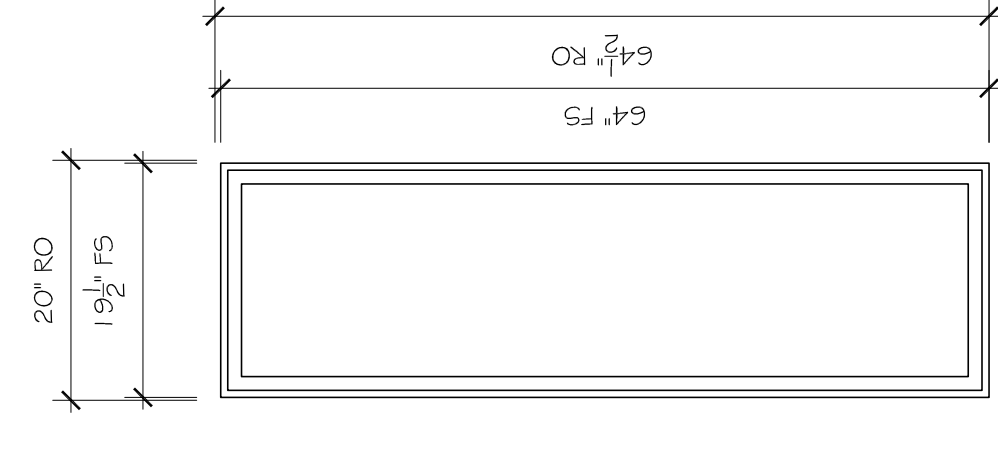
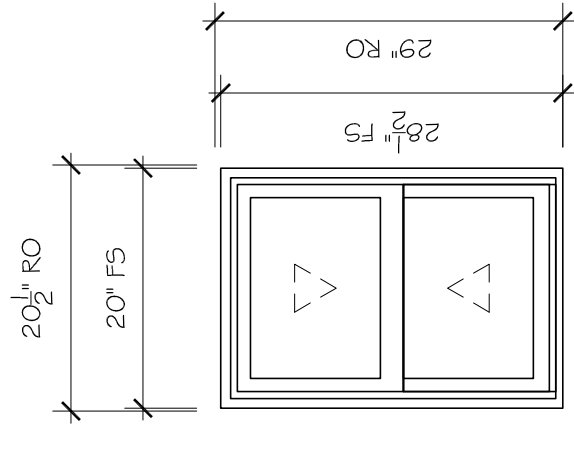


TYPE F-F (VINYL)
SCALE: 3/4" = 1'-0"

TYPE F-G (VINYL)
SCALE: 3/4" = 1'-0"

Qty: 6
Mark Unit: Type F-G (Vinyl)
Product Line: Essential
Unit Description: Double Hung
Single Opening: 20' 1/2" X 29"
Masonry Opening: 20' 1/2" X 28' 3/4"
Exterior Finish: Stone White
Species: None
Interior Finish: Stone White
Unit Type: Double Hung
Call Number: None
Glass Information: IG, Low E2 w/Argon, Stainless
Divider Type: None
Hardware Type: Sash Lock
Screen Type: Aluminum Screen
Hardware Color: White
Screen Surround Color: Stone White
Screen Mesh Type: Bright View Mesh
Jamb Depth: 2" Base Frame
Interior Trim: None
Exterior Casings: Casings Type: None
Subsill: None

Qty: 4
Mark Unit: S/L 3 (Vinyl)
Product Line: Essential
Unit Description: Glaze Rectangle
Single Opening: 20' X 64' 1/2"
Masonry Opening: 20' X 64' 1/4"
Exterior Finish: Stone White
Species: None
Interior Finish: Stone White
Unit Type: Direct Glaze Rectangle
Call Number: None
Glass Information: IG, Tempered Low E2 w/Argon, Stainless
Divider Type: None
Hardware Type: None
Screen Type: None
Hardware Color: None
Screen Surround Color: None
Screen Mesh Type: None
Jamb Depth: 2" Base Frame
Interior Trim: None
Exterior Casings: Casings Type: None
Subsill: None



S/L 3 (VINYL)
SCALE: 3/4" = 1'-0"

Qty: 4
Mark Unit: Type F-G (Vinyl)
Product Line: Essential
Unit Description: Double Hung
Single Opening: 20' 1/2" X 29"
Masonry Opening: 20' 1/2" X 28' 3/4"
Exterior Finish: Stone White
Species: None
Interior Finish: Stone White
Unit Type: Double Hung
Call Number: None
Glass Information: IG, Low E2 w/Argon, Stainless
Divider Type: None
Hardware Type: Sash Lock
Screen Type: Aluminum Screen
Hardware Color: White
Screen Surround Color: Stone White
Screen Mesh Type: Bright View Mesh
Jamb Depth: 2" Base Frame
Interior Trim: None
Exterior Casings: Casings Type: None
Subsill: None

Qty: 4
Mark Unit: S/L 3 (Vinyl)
Product Line: Essential
Unit Description: Glaze Rectangle
Single Opening: 20' X 64' 1/2"
Masonry Opening: 20' X 64' 1/4"
Exterior Finish: Stone White
Species: None
Interior Finish: Stone White
Unit Type: Direct Glaze Rectangle
Call Number: None
Glass Information: IG, Tempered Low E2 w/Argon, Stainless
Divider Type: None
Hardware Type: None
Screen Type: None
Hardware Color: None
Screen Surround Color: None
Screen Mesh Type: None
Jamb Depth: 2" Base Frame
Interior Trim: None
Exterior Casings: Casings Type: None
Subsill: None

Portsmouth Housing Authority
245 Middle Street
Portsmouth, NH 03801

DISTRIBUTOR: Millwork Masters
CONTRACTOR: Millwork Masters
ARCHITECT: Millwork Masters
DRAWING NO: PHA 2021.dwg
DRAWN BY: Pbmger
REVISION DATE: 04/18/23

ORDERING PRODUCTS WITH REFERENCE TO SHOP DRAWINGS:
Before ordering the Marvin Window and Door products illustrated within these shop drawings, a copy of these drawings accompanied by an approved signature of the purchaser must be returned to the Architectural Department of Marvin Windows & Doors, P.O. Box 100, Waco, Minnesota 56783. Marvin products are ordered without reference to the approved shop drawings. Marvin Windows and Doors assumes no responsibility in guaranteeing product coordination with the drawings.

