

444 Pleasant Street



Property Information

Property ID 0102-0054-0000
Location 444 PLEASANT ST
Owner PORTSMOUTH HOUSING AUTHORITY



MAP FOR REFERENCE ONLY NOT A LEGAL DOCUMENT

City of Portsmouth, NH makes no claims and no warranties, expressed or implied, concerning the validity or accuracy of the GIS data presented on this map.

Geometry updated 09/21/2022
 Data updated 3/9/2022

Print map scale is approximate.
 Critical layout or measurement
 activities should not be done using
 this resource.

















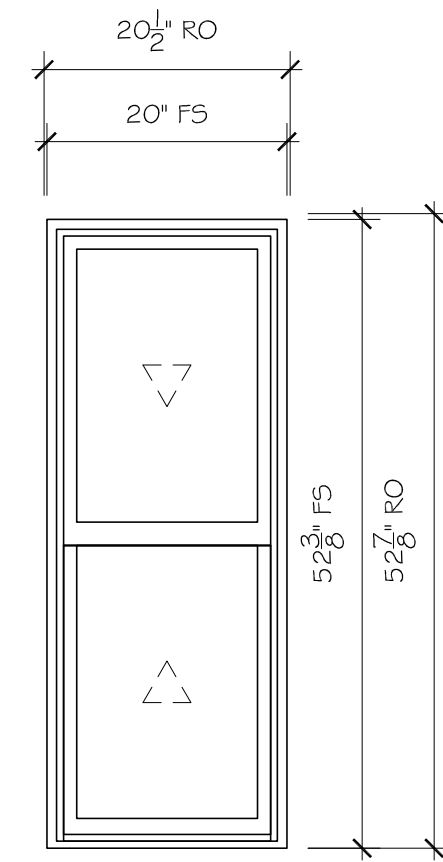






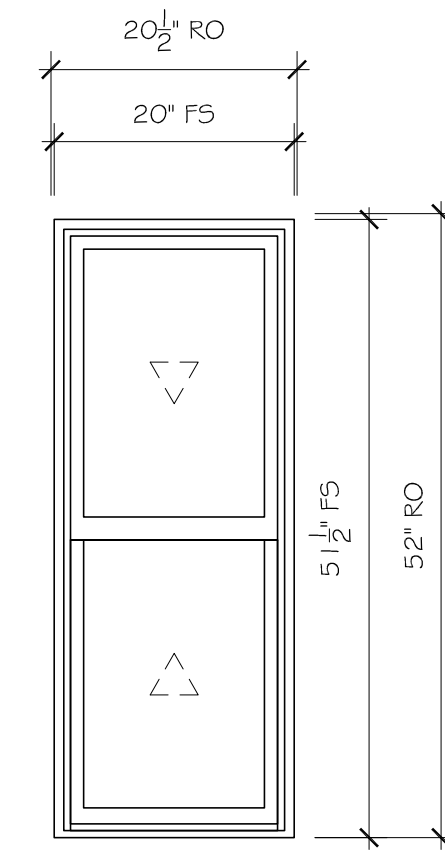


PLEASANT STREET - TYPICAL HIGH RISE - (2) UNITS



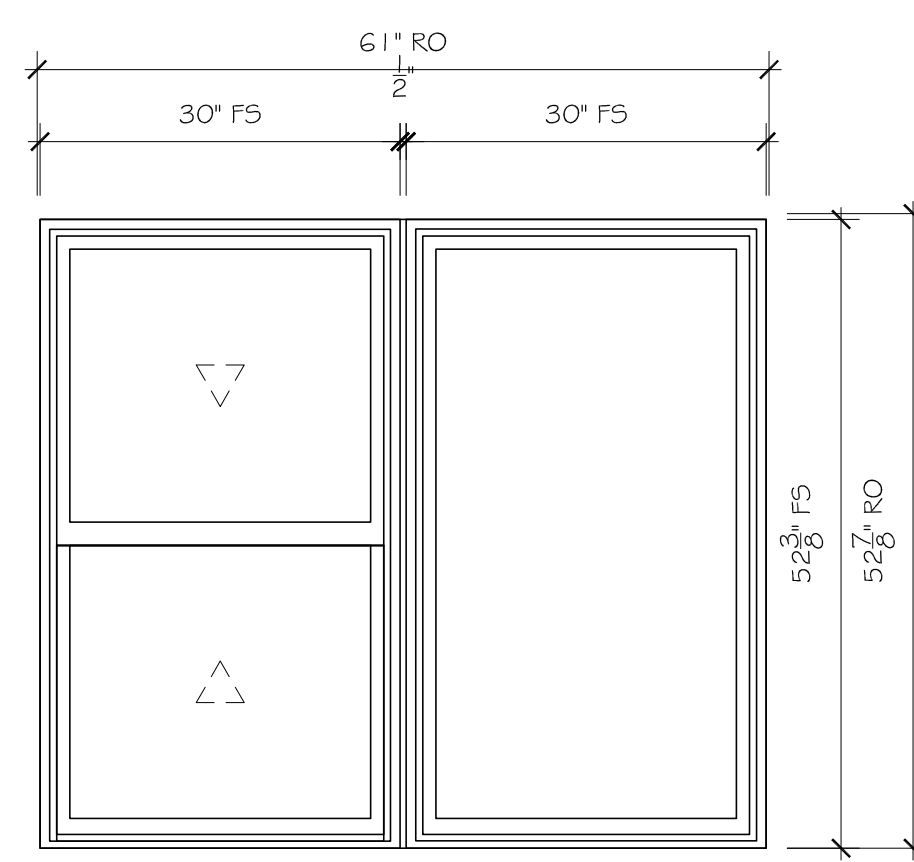
TYPE F-A (VINYL)
SCALE: 3/4" = 1'-0"

SPECIFICATIONS	
Qty:	8
Mark Unit:	Type F-A (vnyl)
Product Line:	Essential
Unit Description:	Double Hung
Rough Opening:	20 1/2" X 52 7/8"
Masonry Opening:	20 1/2" X 52 5/8"
Exterior Finish:	Stone White
Species:	None
Interior Finish:	Stone White
Unit Type:	Double Hung
Call Number:	None
Glass Information:	IG, Low E2 w/Argon, Stainless
Divider Type:	None
Hardware Type:	Sash Lock
Screen Type:	Aluminum Screen
Hardware Color:	White
Screen Surround Color:	Stone White
Screen Mesh Type:	Bright View Mesh
Jamb Depth:	2" Base Frame
Interior Trim:	None
Exterior Casing:	Casing Type : None
Subsill:	None



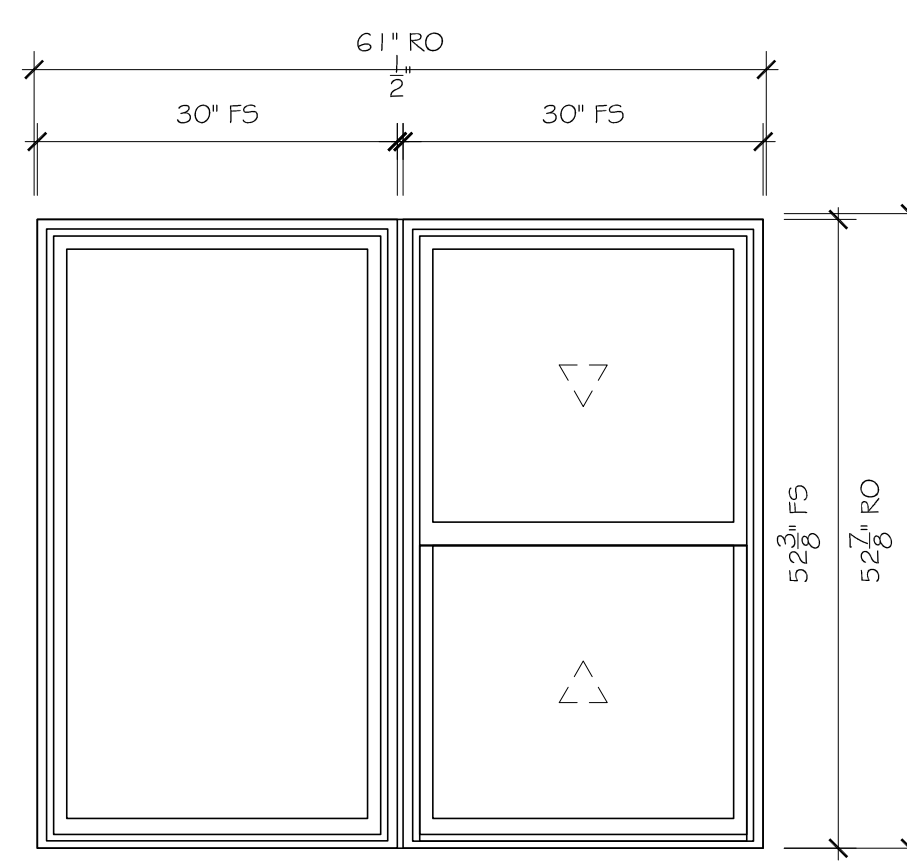
TYPE F-A (BRICK)
SCALE: 3/4" = 1'-0"

SPECIFICATIONS	
Qty:	8
Mark Unit:	Type F-A (brick)
Product Line:	Essential
Unit Description:	Double Hung
Rough Opening:	20 1/2" X 52"
Masonry Opening:	20 1/2" X 51 3/4"
Exterior Finish:	Stone White
Species:	None
Interior Finish:	Stone White
Unit Type:	Double Hung
Call Number:	None
Glass Information:	IG, Low E2 w/Argon, Stainless
Divider Type:	None
Hardware Type:	Sash Lock
Screen Type:	Aluminum Screen
Hardware Color:	White
Screen Surround Color:	Stone White
Screen Mesh Type:	Bright View Mesh
Jamb Depth:	2" Base Frame
Interior Trim:	None
Exterior Casing:	Casing Type : None
Subsill:	None



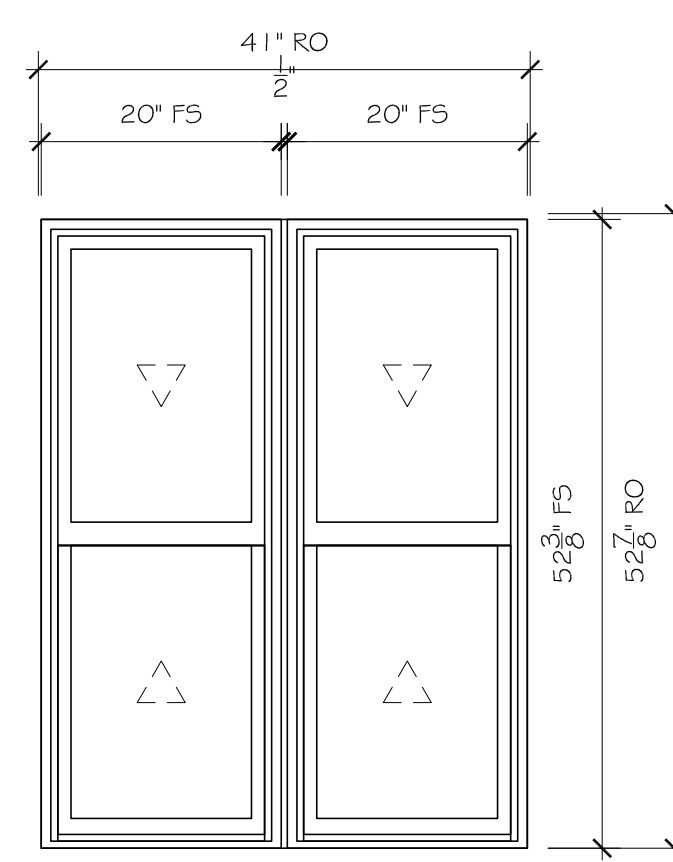
TYPE F-B (VINYL)
SCALE: 3/4" = 1'-0"

SPECIFICATIONS	
Qty:	4
Mark Unit:	Type F-B (vnyl)
Product Line:	Essential
Unit Description:	Essential Assembly
Rough Opening:	61" X 52 7/8"
Masonry Opening:	61" X 52 5/8"
Exterior Finish:	Stone White
Species:	None
Interior Finish:	Stone White
Unit Type:	[A1] Double Hung, [A2] Double Hung Picture
Call Number:	None
Glass Information:	IG, Low E2 w/Argon, Stainless
Divider Type:	None
Hardware Type:	[A1] Sash Lock, [A2] None
Screen Type:	[A1] Aluminum Screen, [A2] None
Hardware Color:	[A1] White, [A2] None
Screen Surround Color:	[A1] Stone White, [A2] None
Screen Mesh Type:	[A1] Bright View Mesh, [A2] None
Jamb Depth:	2" Base Frame
Interior Trim:	None
Exterior Casing:	Casing Type : None
Subsill:	None



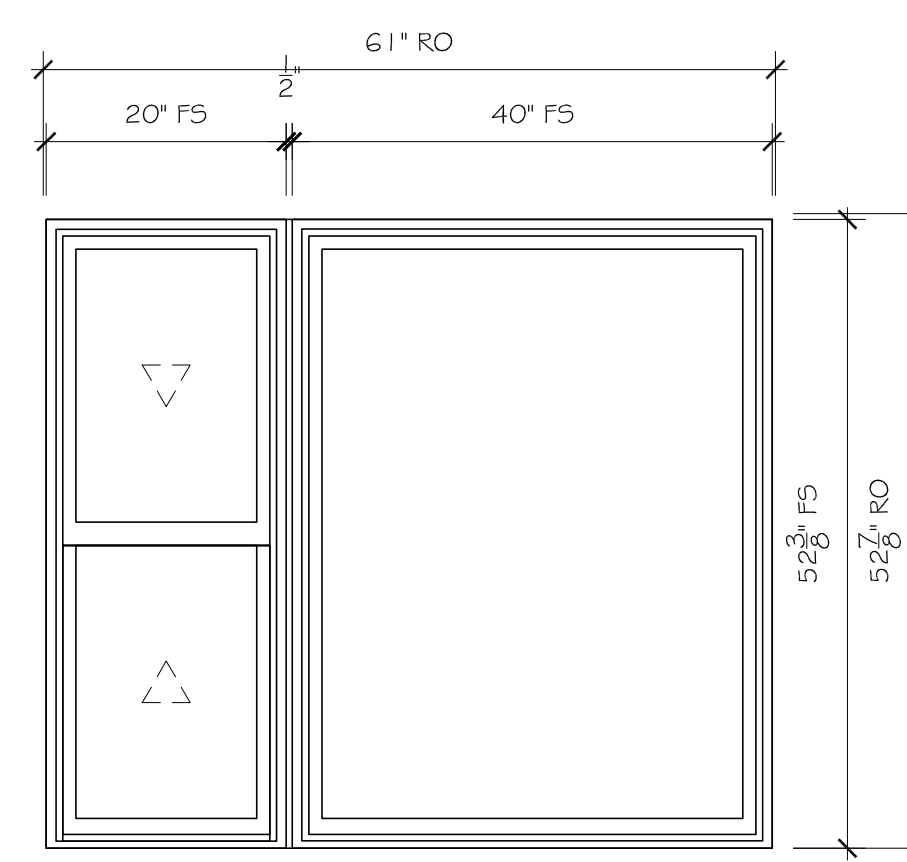
TYPE F-C (VINYL)
SCALE: 3/4" = 1'-0"

SPECIFICATIONS	
Qty:	4
Mark Unit:	Type F-C (vnyl)
Product Line:	Essential
Unit Description:	Essential Assembly
Rough Opening:	61" X 52 7/8"
Masonry Opening:	61" X 52 5/8"
Exterior Finish:	Stone White
Species:	None
Interior Finish:	Stone White
Unit Type:	[A1] Double Hung Picture, [A2] Double Hung
Call Number:	None
Glass Information:	IG, Low E2 w/Argon, Stainless
Divider Type:	None
Hardware Type:	[A1] None, [A2] Sash Lock
Screen Type:	[A1] None, [A2] Aluminum Screen
Hardware Color:	[A1] None, [A2] White
Screen Surround Color:	[A1] None, [A2] Stone White
Screen Mesh Type:	[A1] None, [A2] Bright View Mesh
Jamb Depth:	2" Base Frame
Interior Trim:	None
Exterior Casing:	Casing Type : None
Subsill:	None



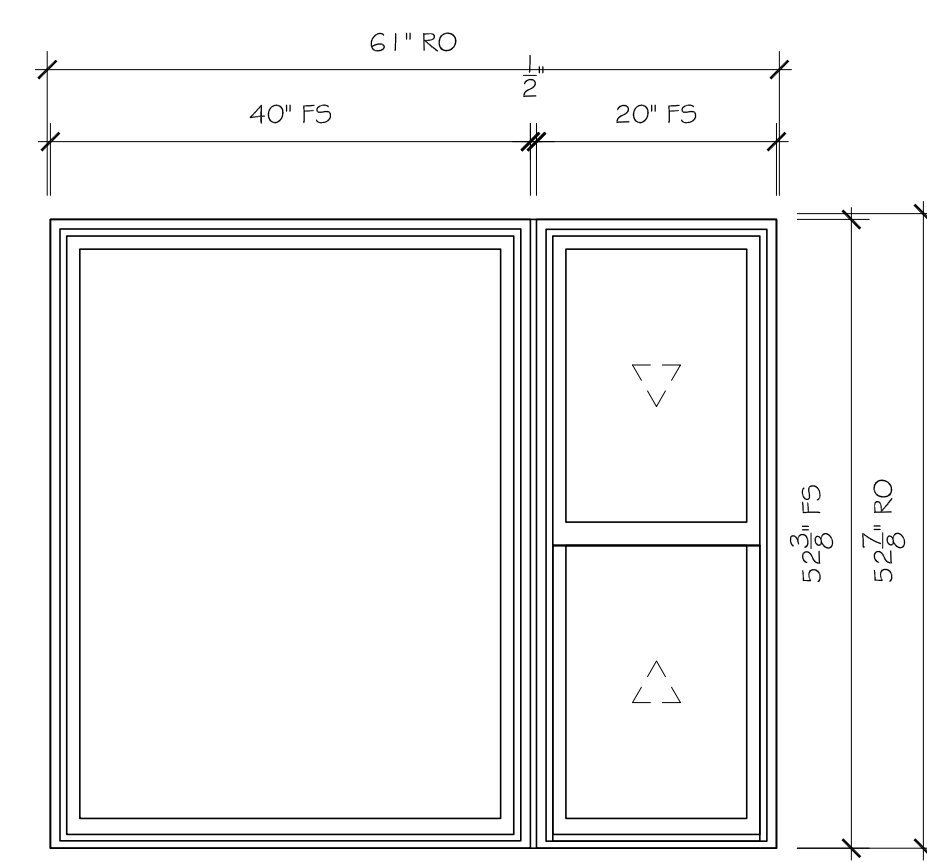
TYPE F-D (VINYL)
SCALE: 3/4" = 1'-0"

SPECIFICATIONS	
Qty:	2
Mark Unit:	Type F-D (vnyl)
Product Line:	Essential
Unit Description:	Essential Assembly
Rough Opening:	41" X 52 7/8"
Masonry Opening:	41" X 52 5/8"
Exterior Finish:	Stone White
Species:	None
Interior Finish:	Stone White
Unit Type:	[A1] Double Hung, [A2] Double Hung Picture
Call Number:	None
Glass Information:	IG, Low E2 w/Argon, Stainless
Divider Type:	None
Hardware Type:	Sash Lock
Screen Type:	Aluminum Screen
Hardware Color:	White
Screen Surround Color:	Stone White
Screen Mesh Type:	Bright View Mesh
Jamb Depth:	2" Base Frame
Interior Trim:	None
Exterior Casing:	Casing Type : None
Subsill:	None



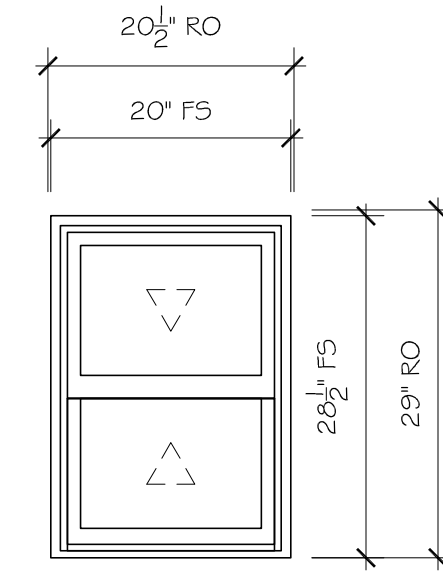
TYPE F-E (VINYL)
SCALE: 3/4" = 1'-0"

SPECIFICATIONS	
Qty:	4
Mark Unit:	Type F-E (vnyl)
Product Line:	Essential
Unit Description:	Essential Assembly
Rough Opening:	61" X 52 7/8"
Masonry Opening:	61" X 52 5/8"
Exterior Finish:	Stone White
Species:	None
Interior Finish:	Stone White
Unit Type:	[A1] Double Hung, [A2] Double Hung Picture
Call Number:	None
Glass Information:	IG, Low E2 w/Argon, Stainless
Divider Type:	None
Hardware Type:	[A1] Sash Lock, [A2] None
Screen Type:	[A1] Aluminum Screen, [A2] None
Hardware Color:	[A1] White, [A2] None
Screen Surround Color:	[A1] Stone White, [A2] None
Screen Mesh Type:	[A1] Bright View Mesh, [A2] None
Jamb Depth:	2" Base Frame
Interior Trim:	None
Exterior Casing:	Casing Type : None
Subsill:	None



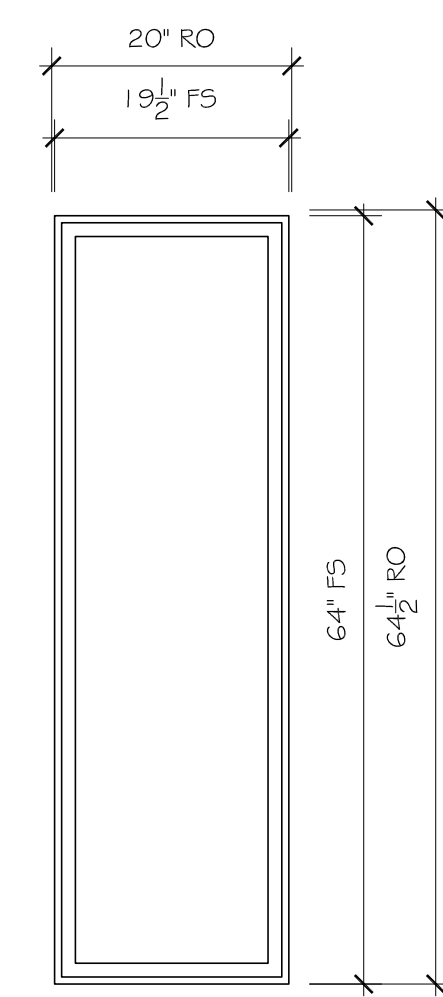
TYPE F-F (VINYL)
SCALE: 3/4" = 1'-0"

SPECIFICATIONS	
Qty:	4
Mark Unit:	Type F-F (vnyl)
Product Line:	Essential
Unit Description:	Essential Assembly
Rough Opening:	61" X 52 7/8"
Masonry Opening:	61" X 52 5/8"
Exterior Finish:	Stone White
Species:	None
Interior Finish:	Stone White
Unit Type:	[A1] Double Hung Picture, [A2] Double Hung
Call Number:	None
Glass Information:	IG, Low E2 w/Argon, Stainless
Divider Type:	None
Hardware Type:	[A1] None, [A2] Sash Lock
Screen Type:	[A1] None, [A2] Aluminum Screen
Hardware Color:	[A1] None, [A2] White
Screen Surround Color:	[A1] None, [A2] Stone White
Screen Mesh Type:	[A1] None, [A2] Bright View Mesh
Jamb Depth:	2" Base Frame
Interior Trim:	None
Exterior Casing:	Casing Type : None
Subsill:	None



TYPE F-G (VINYL)
SCALE: 3/4" = 1'-0"

SPECIFICATIONS	
Qty:	8
Mark Unit:	Type F-G (vnyl)
Product Line:	Essential
Unit Description:	Double Hung
Rough Opening:	20 1/2" X 29"
Masonry Opening:	20 1/2" X 28 3/4"
Exterior Finish:	Stone White
Species:	None
Interior Finish:	Stone White
Unit Type:	Double Hung
Call Number:	None
Glass Information:	IG, Low E2 w/Argon, Stainless
Divider Type:	None
Hardware Type:	Sash Lock
Screen Type:	Aluminum Screen
Hardware Color:	White
Screen Surround Color:	Stone White
Screen Mesh Type:	Bright View Mesh
Jamb Depth:	2" Base Frame
Interior Trim:	None
Exterior Casing:	Casing Type : None
Subsill:	None



S/L 3 (VINYL)
SCALE: 3/4" = 1'-0"

SPECIFICATIONS	
Qty:	4
Mark Unit:	S/L 3 (vnyl)
Product Line:	Essential
Unit Description:	Direct Glaze Rectangle
Rough Opening:	20" X 64 1/2"
Masonry Opening:	20" X 64 1/4"
Exterior Finish:	Stone White
Species:	None
Interior Finish:	Stone White
Unit Type:	Direct Glaze Rectangle
Call Number:	None
Glass Information:	IG, Tempered Low E2 w/Argon, Stainless
Divider Type:	None
Hardware Type:	None
Screen Type:	None
Hardware Color:	None
Screen Surround Color:	None
Screen Mesh Type:	None
Jamb Depth:	2" Base Frame
Interior Trim:	None
Exterior Casing:	Casing Type : None
Subsill:	None



ORDERING PRODUCTS WITH REFERENCE TO SHOP DRAWINGS:
Before ordering the Marvin Window and Door products illustrated within these shop drawings, a copy of these drawings accompanied by an approved signature of the purchaser must be returned to the Architectural Department, Marvin Windows and Doors, 245 Middle Street, Portsmouth, NH 03801. If the Marking process is not completed in accordance to the approved shop drawings, Marvin Windows and Doors assumes no responsibility in guaranteeing product coordination with the drawings.

Portsmouth Housing Authority
245 Middle Street
Portsmouth, NH 03801

DISTRIBUTOR: Millwork Masters
DEALER: Millwork Masters
CONTRACTOR: Millwork Masters
ARCHITECT:
DRAWING NO: PHA 2021.dwg DRAWN BY: PBrniger
DATE: 04/18/23 REVISION DATE: