

DOYLE NAM RESIDENCE

129 STATE STREET, PORTSMOUTH, NH

HISTORIC DISTRICT COMMISSION - RENDERINGS 08.16.2023

Spivak Architects



HDC APPROVED 05/04/2022



PROPOSED - RAILING OPTION A



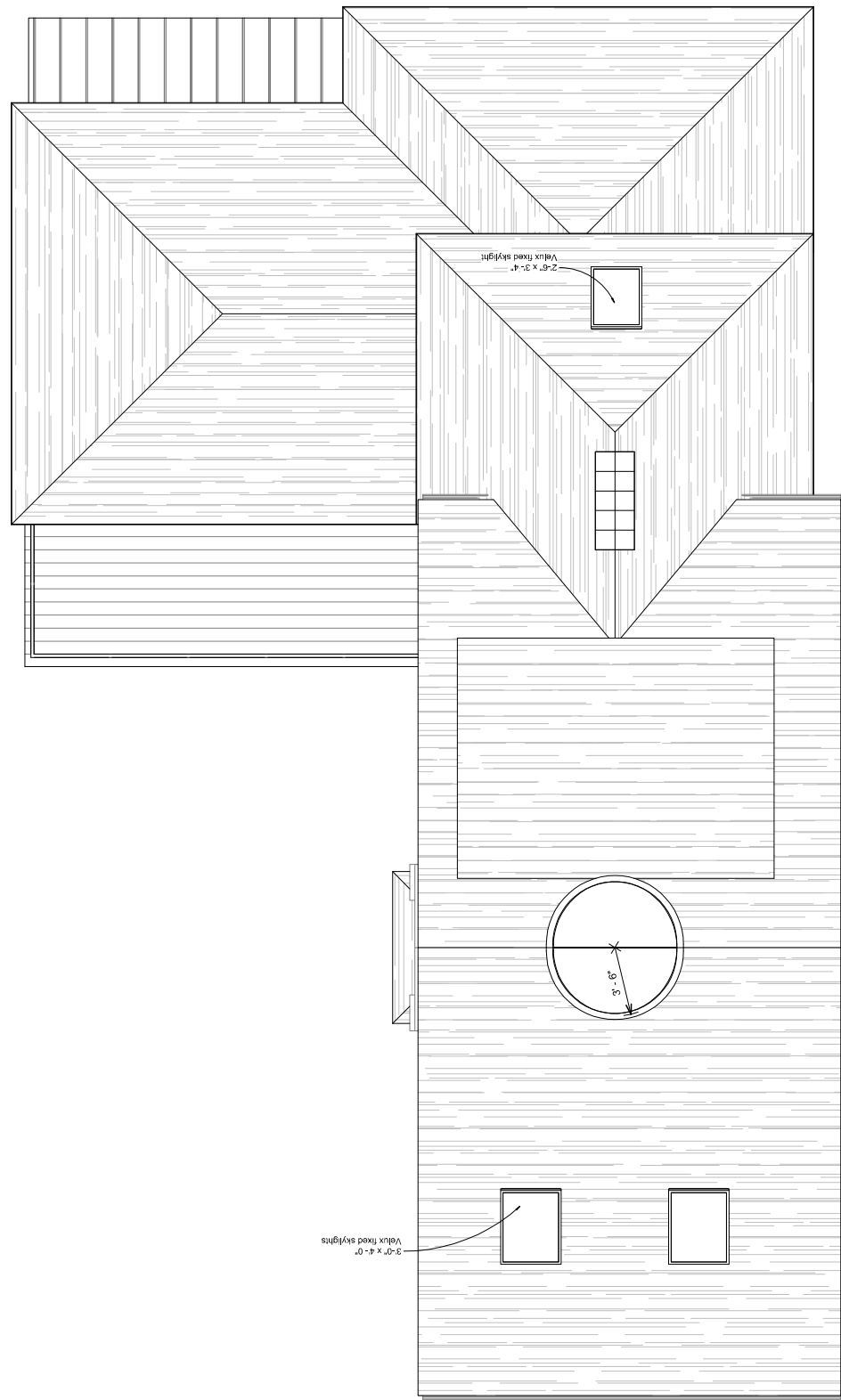
HDC APPROVED 05/04/2022

PROPOSED - RAILING OPTION B



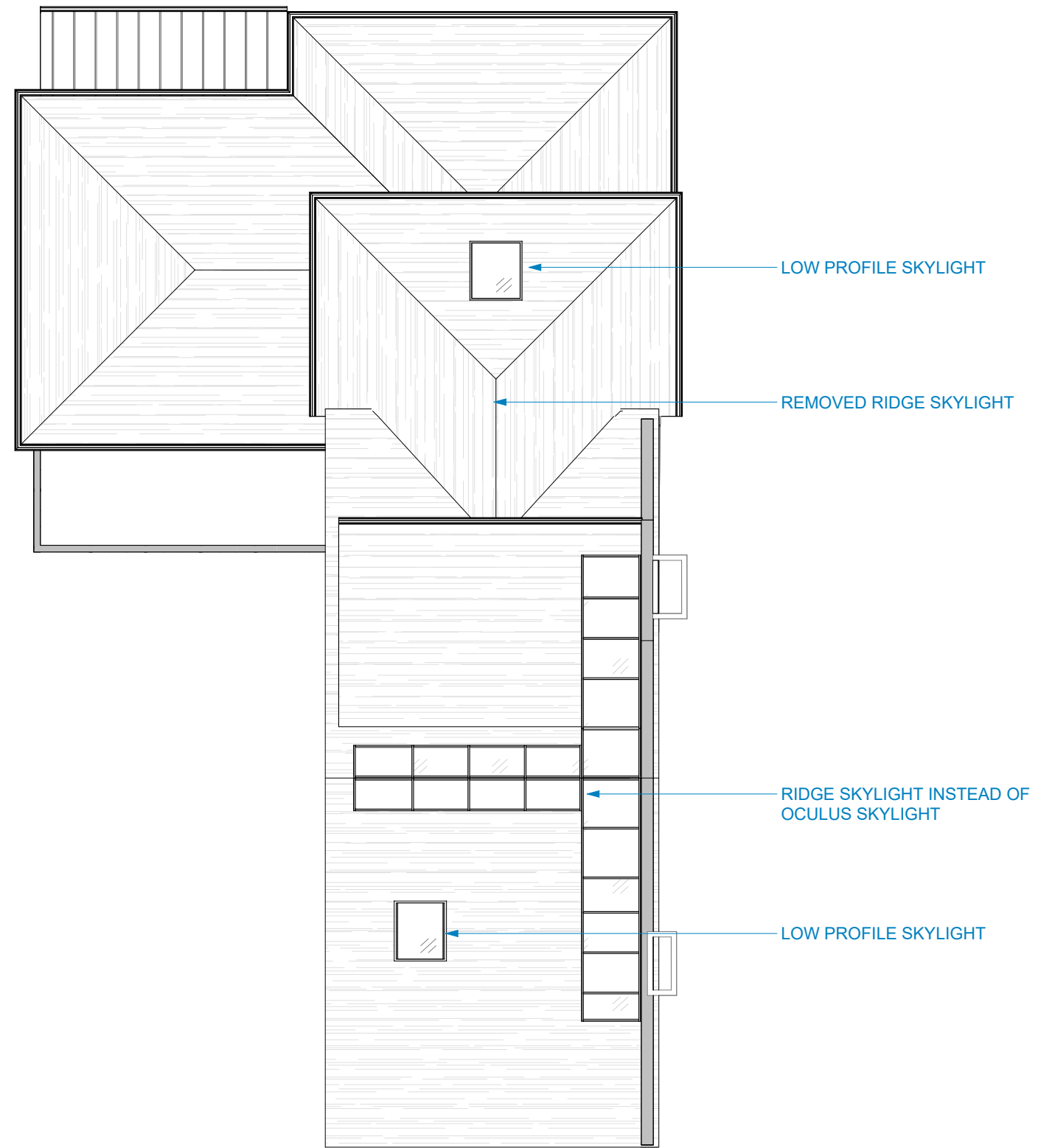
HDC APPROVED 05/04/2022

PROPOSED

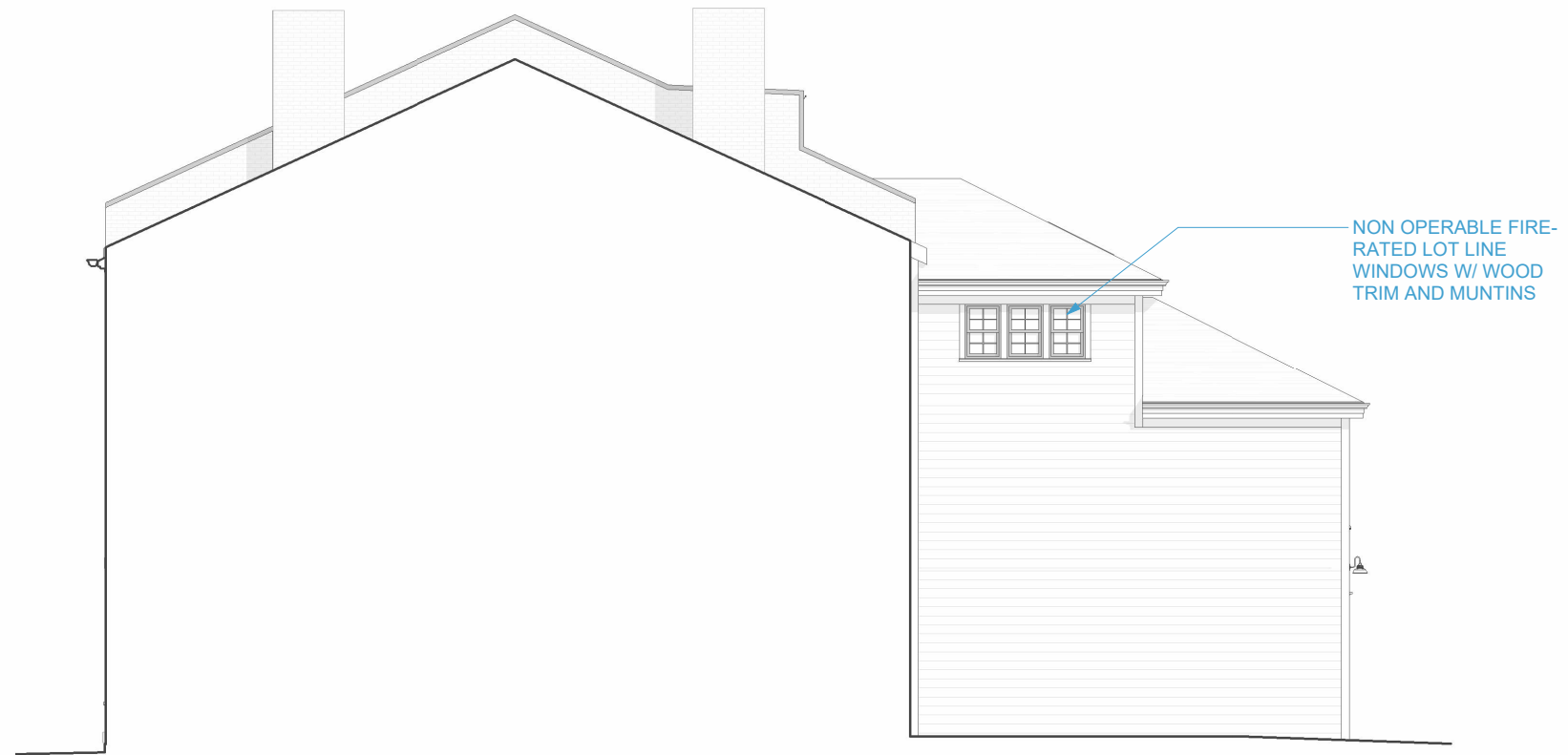


HDC APPROVED 05/04/2022

ROOF PLAN



PROPOSED

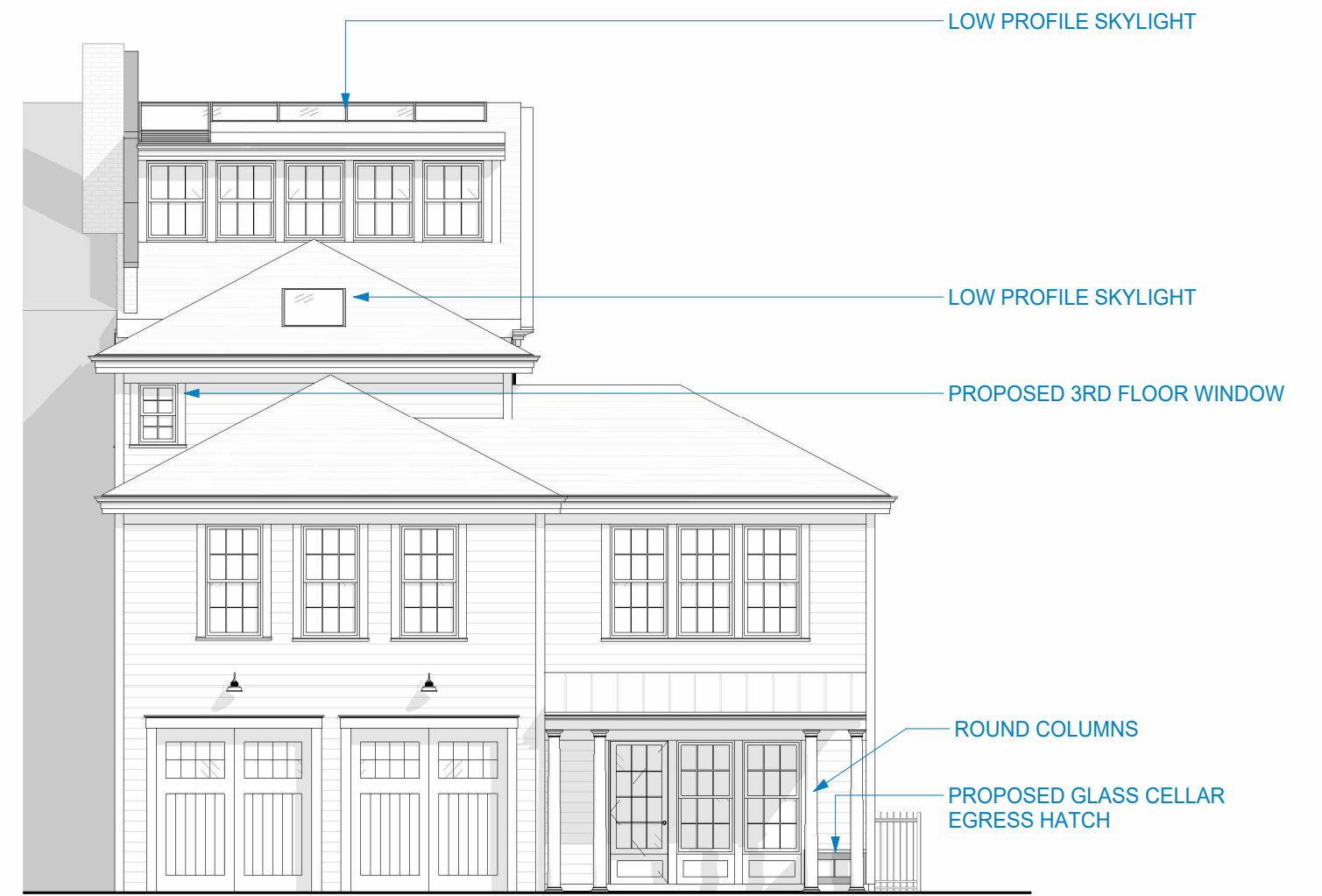


PROPOSED ELEVATION

EAST ELEVATION



HDC APPROVED 05/04/2022

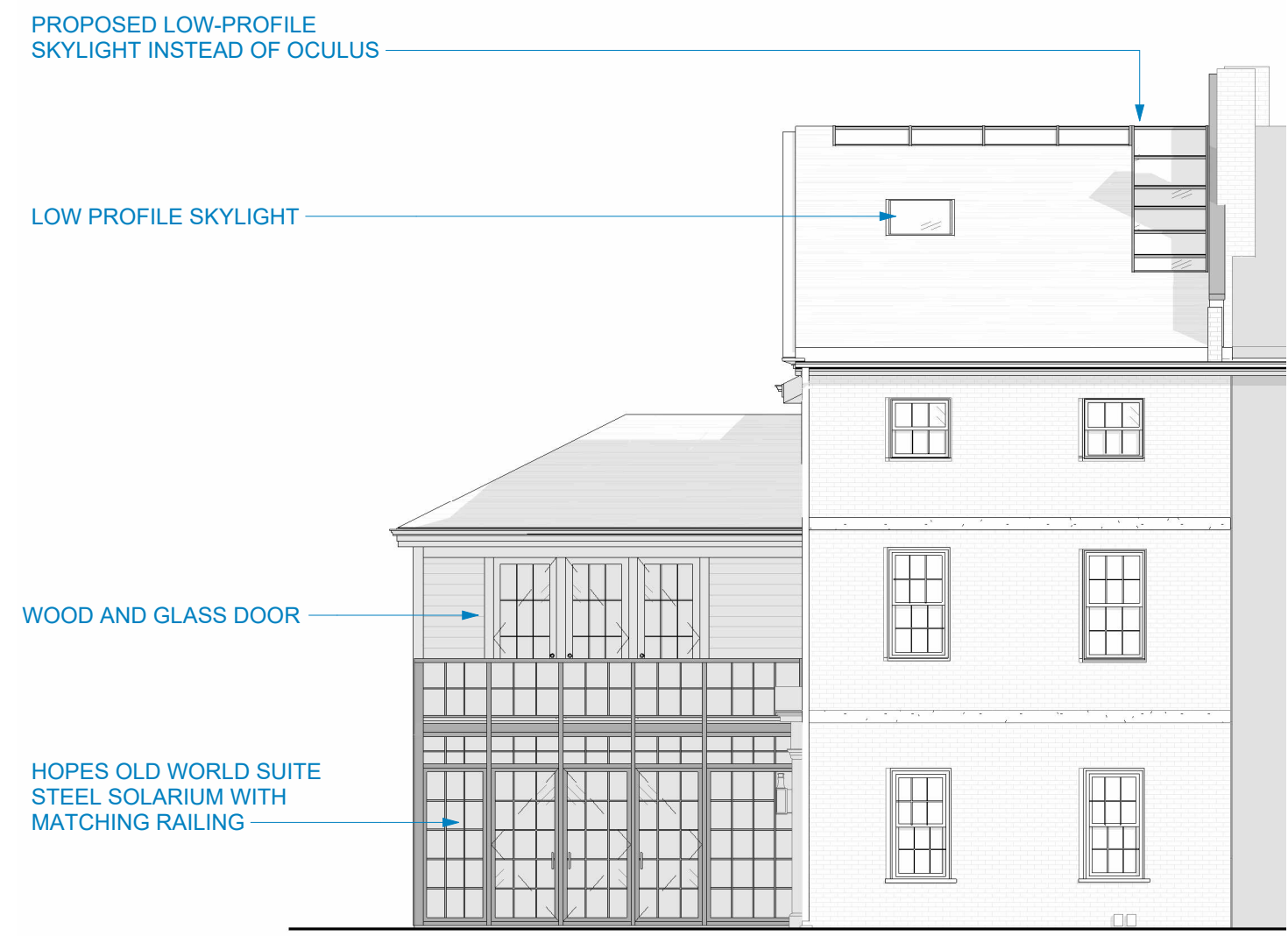


PROPOSED ELEVATION

NORTH ELEVATION



HDC APPROVED 05/04/2022



PROPOSED ELEVATION

SOUTH ELEVATION - RAILING OPTION A



HDC APPROVED 05/04/2022

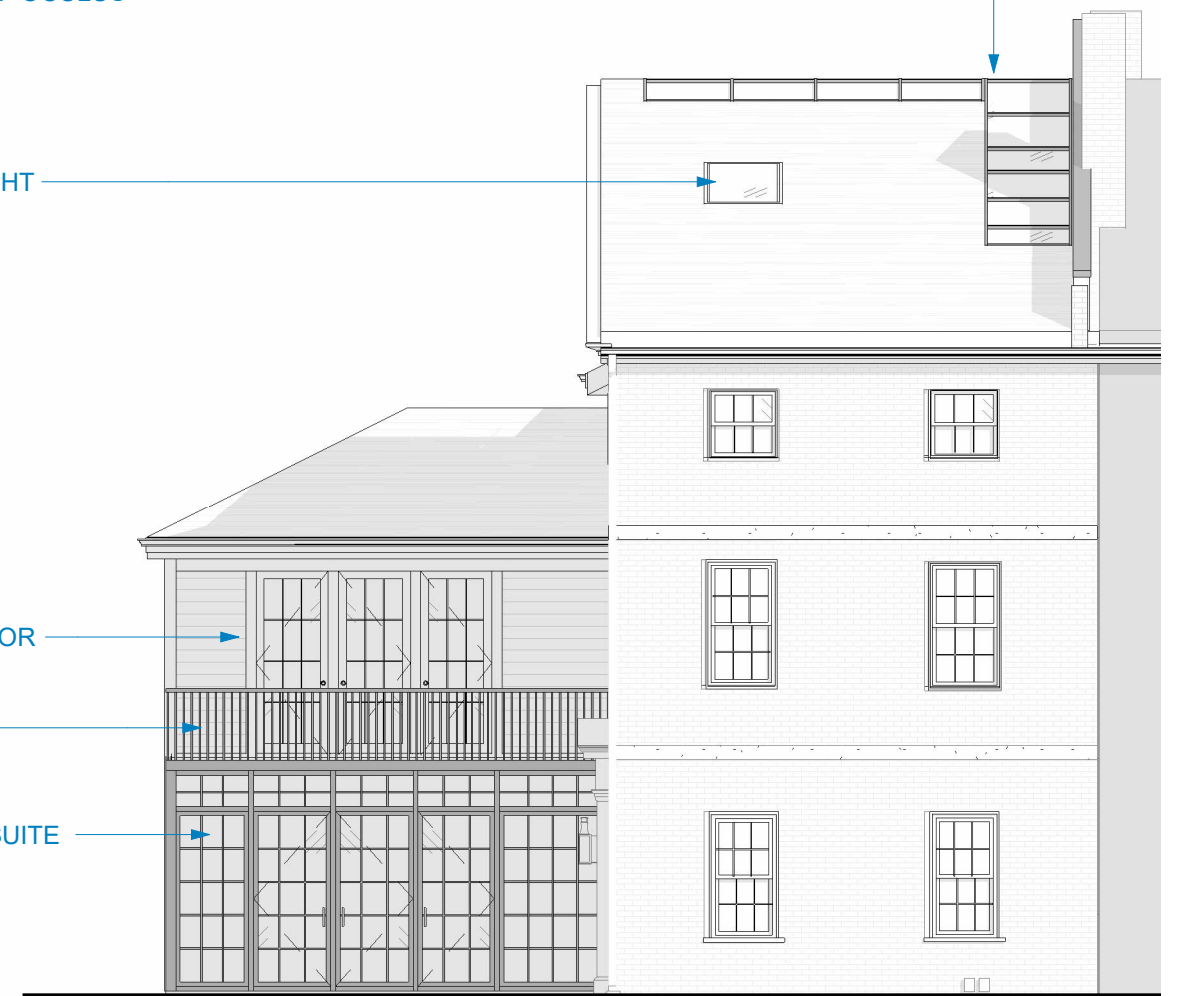
PROPOSED LOW-PROFILE SKYLIGHT INSTEAD OF OCULUS

LOW PROFILE SKYLIGHT

WOOD AND GLASS DOOR

STEEL RAILING

HOPES OLD WORLD SUITE STEEL SOLARIUM

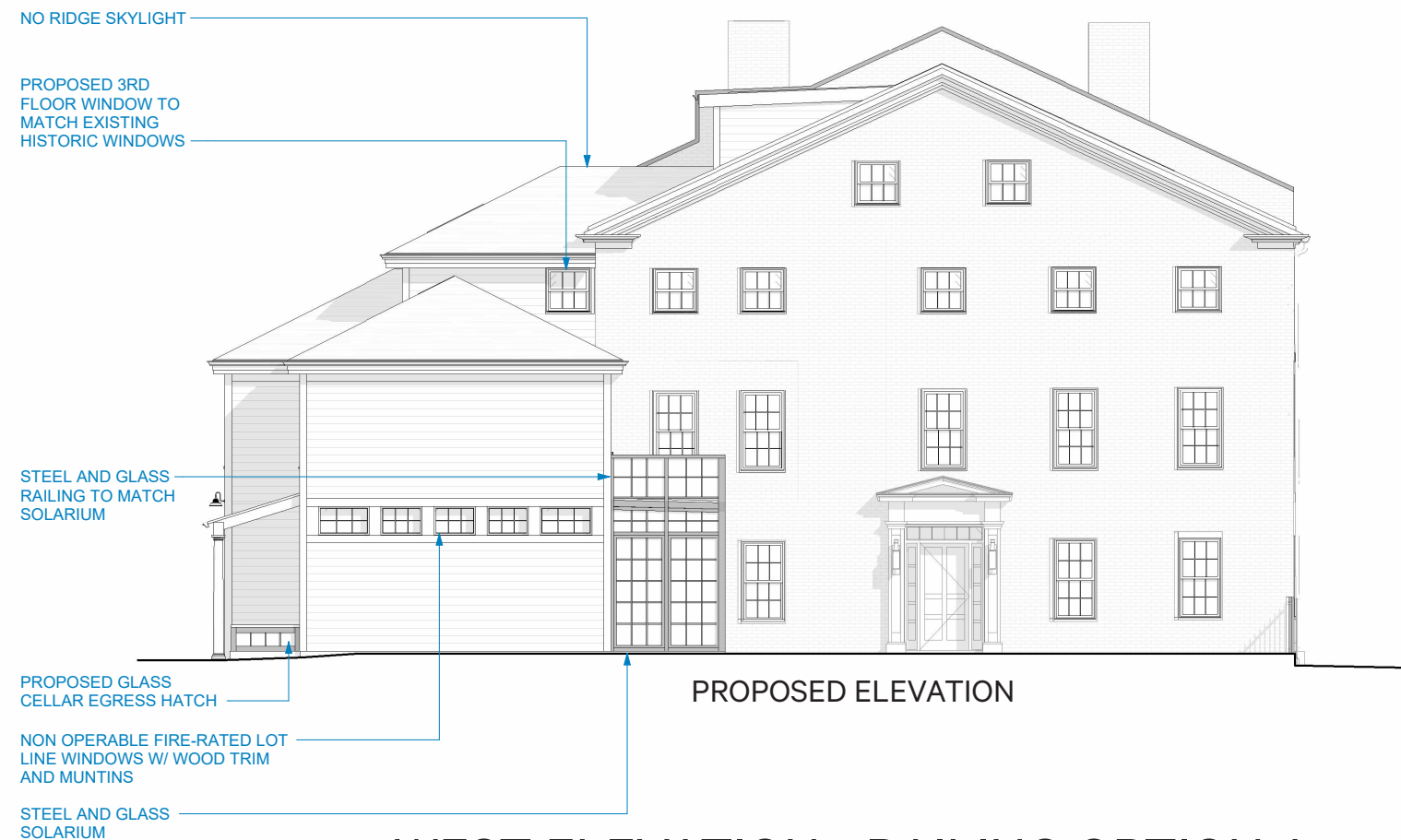


PROPOSED ELEVATION

SOUTH ELEVATION - RAILING OPTION B



HDC APPROVED 05/04/2022

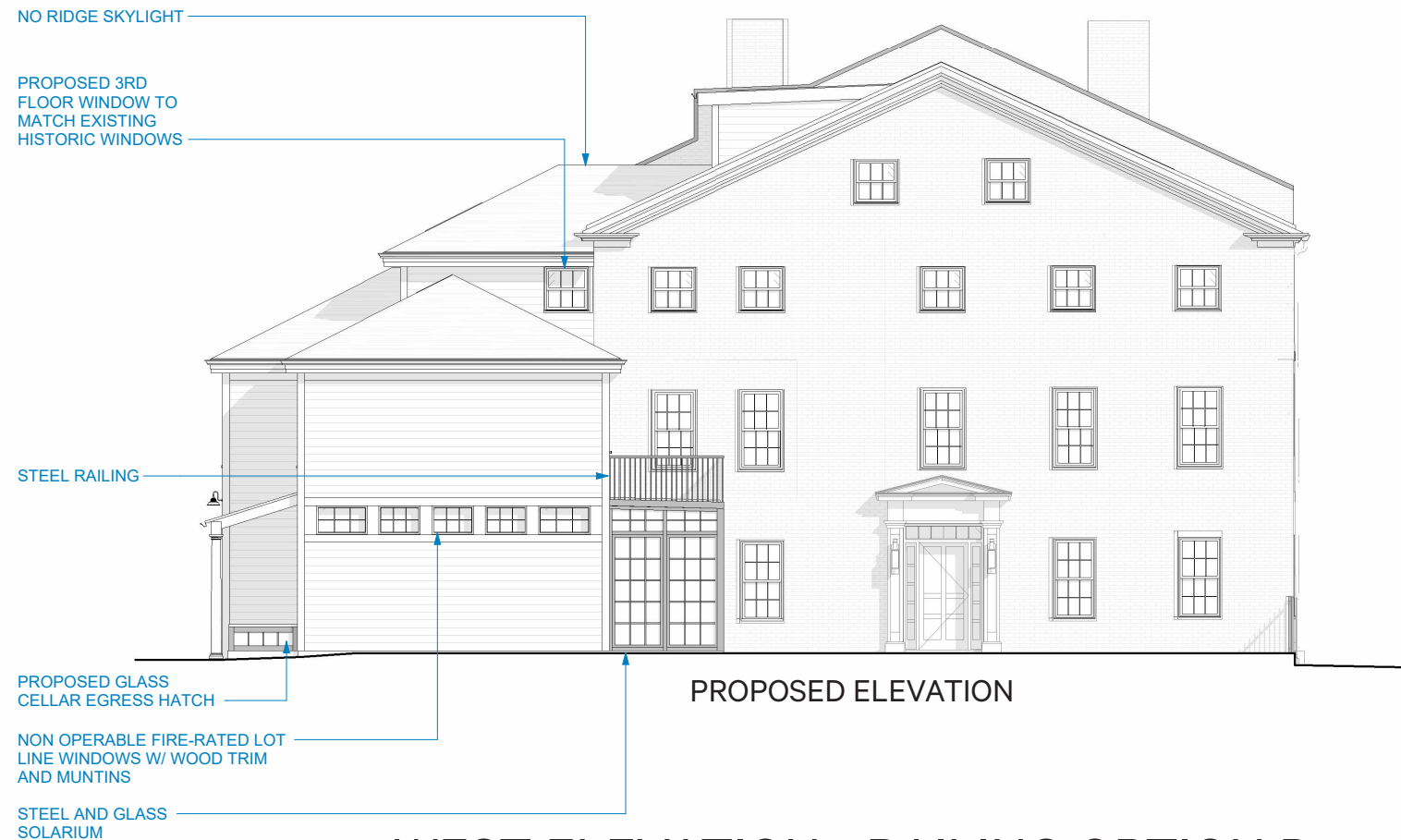


PROPOSED ELEVATION

WEST ELEVATION - RAILING OPTION A



HDC APPROVED 05/04/2022



WEST ELEVATION - RAILING OPTION B



Artistic Rendering - State Street Perspective

HDC APPROVED 05/04/2022



PROPOSED

VIEW FROM CORNER OF STATE STREET - OPTION A



Artistic Rendering - State Street Perspective

HDC APPROVED 05/04/2022



PROPOSED

VIEW FROM CORNER OF STATE STREET - OPTION B



HDC APPROVED 05/04/2022



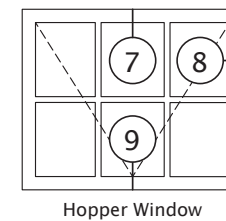
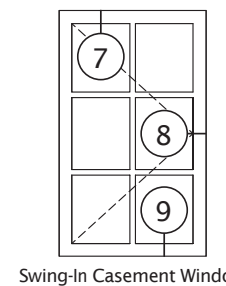
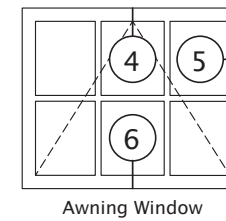
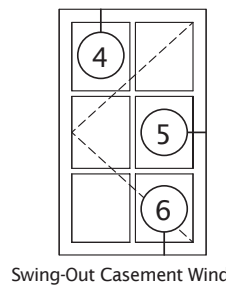
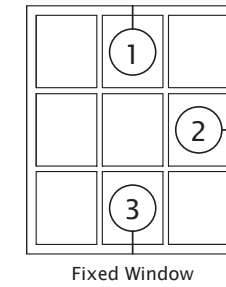
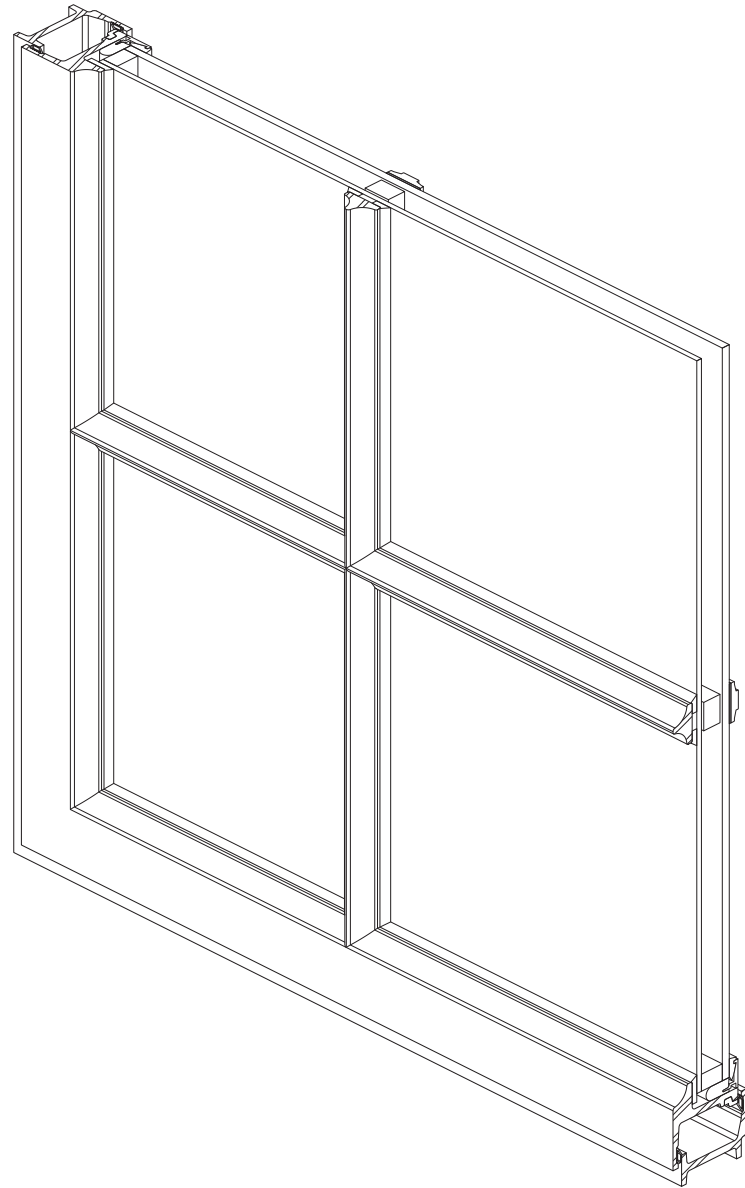
PROPOSED

VIEW FROM SHEAFE STREET

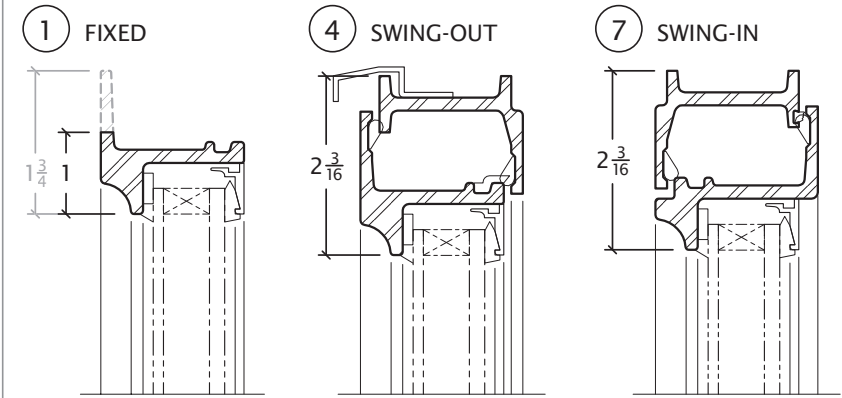
Hope's Old World Suite steel sections are specifically designed for projects calling for classical solid, hot-rolled steel windows with old world style three-point casement, or arrow-shaped, profiles. The fixed and operable configurations can be glazed with monolithic or insulated glass for energy efficiency. The unique window profiles and very narrow sightlines are ideal for new buildings as well as replacement projects.

PRODUCT FEATURES

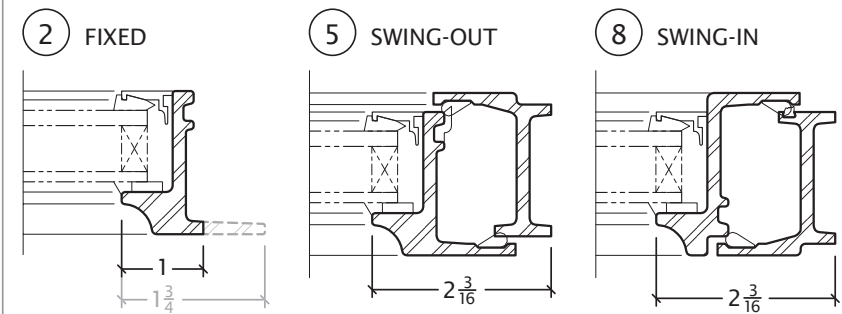
- Historically accurate sightlines and true divided lite or simulated divided lite muntins
- Unsurpassed strength of hot-rolled steel sections
- Accepts up to 7/8" thick insulating glass with simulated divided lites; up to 1/2" thick glass with true divided lites
- ASTM compliance for air infiltration and water penetration
- Hope's Power of 5 Finishing System with hot-dip galvanizing pretreatment
- Available with Hope's Thermal Evolution™ technology



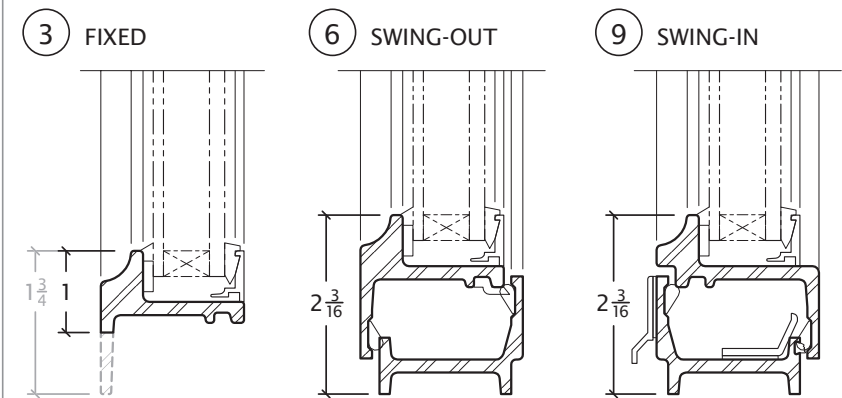
TYPICAL HEAD DETAILS




TYPICAL JAMB DETAILS



TYPICAL SILL DETAILS



Details are half scale and shown inside glazed with 7/8" thick glass.
Perimeter frame profiles are available in long leg or equal leg configurations.
All Hope's products are custom manufactured to your specific project requirements.

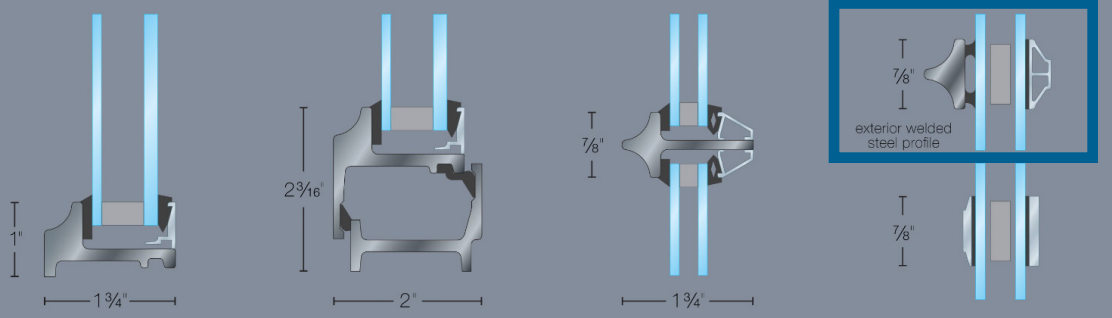



PRODUCT PERFORMANCE

- Meets or exceeds **air infiltration** test criteria in accordance with ASTM E283
- Meets or exceeds **water penetration** test criteria in accordance with ASTM E331
- Meets or exceeds **structural** test criteria in accordance with ASTM E330
- Meets or exceeds **forced entry** test criteria in accordance with ASTM F588
- Impact-rated product meets or exceeds **missile impact and cyclic pressure** test criteria in accordance with ASTM E1886
- Impact-rated product meets or exceeds **hurricane windborne debris** test criteria in accordance with ASTM E1996

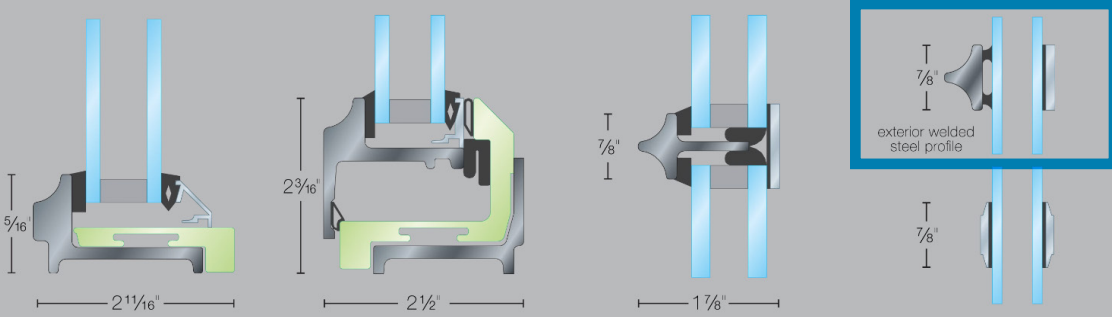
Consult Hope's to review applicable testing and design performance data for your specific project.

STANDARD PROFILES



FIXED **OPERABLE** **TRUE DIVIDED LITE** **SIMULATED DIVIDED LITE**

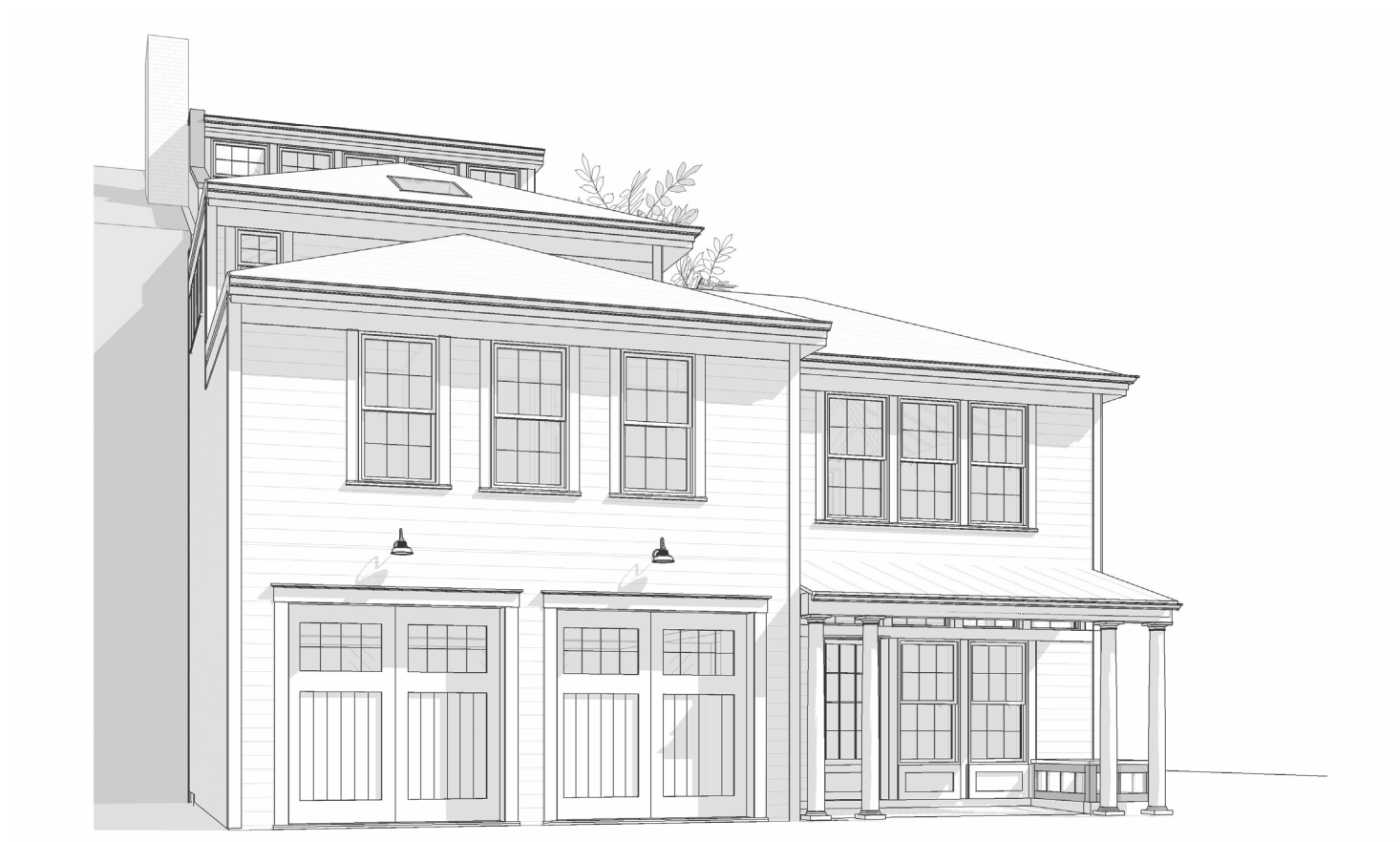
THERMAL PROFILES



THERMAL FIXED **THERMAL OPERABLE** **THERMAL TRUE DIVIDED LITE** **THERMAL SIMULATED DIVIDED LITE**



Photo: Connie Zhou



PROPOSED ALTERNATE - NO EAVE OVERHANG