

18 Ladd Street Portsmouth, NH 03801



Figure 1 18 Ladd Street from South West



Figure 2 18 Ladd Street from North



Figure 3 18 Ladd Street- South and East elevations



Figure 4 18 Ladd Street from Atheneum Courtyard

HIGHBURY 18 LADD ST

Quote #: HGDT516

A Proposal for Window and Door Products prepared for:

Shipping Address:

ELDREDGE LBR & HDWE-PORTSMOUTH
275 Constitution Ave
Portsmouth, NH 03801-8600

Featuring products from:



SELECTWOOD

The Choice For Building Professionals.

MATT MCGRAIL
ELDREDGE LBR & HDWE-PORTSMOUTH
PO BOX 69
CAPE NEDDICK, ME 03902-0069
Phone: (207) 363-2004

Email: mmcgrail@eldredgelumber.com

This report was generated on 10/4/2024 11:22:04 AM using the Marvin Order Management System, version 0004.11.00 (Current). Price in USD. Unit availability and price are subject to change. Dealer terms and conditions may apply.

UNIT SUMMARY

The following is a schedule of the windows and doors for this project. For additional unit details, please see Line Item Quotes.

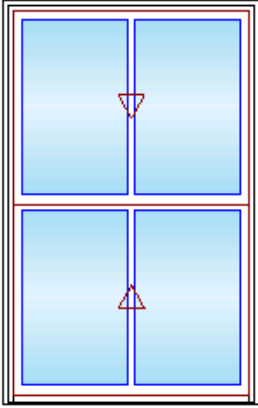
Additional charges, tax or Terms and Conditions may apply. Detail pricing is per unit.

NUMBER OF LINES: 5		TOTAL UNIT QTY: 13		EXT NET PRICE: USD 11,995.55		
LINE	MARK UNIT	PRODUCT LINE	ITEM	NET PRICE	QTY	EXTENDED NET PRICE
1	1ST & 2ND UNIT 1ST FLR	Elevate	Double Hung RO 40 1/8" X 60 1/2" Entered as FS 39 1/8" X 60"	927.03	3	2,781.09
2	1ST & 2ND UNIT 1ST FLR	Elevate	Double Hung RO 36 1/8" X 60 1/2" Entered as FS 35 1/8" X 60"	886.44	5	4,432.20
3	1ST UNIT 2ND FLR	Elevate	Double Hung RO 40 1/4" X 56 3/8" Entered as FS 39 1/4" X 55 7/8"	905.28	2	1,810.56
4	1ST & 2ND UNIT 2ND FLR	Elevate	Double Hung RO 36 1/8" X 56 3/8" Entered as FS 35 1/8" X 55 7/8"	853.82	1	853.82
5	1ST & 2ND UNIT 2ND FLR TEMP	Elevate	Double Hung RO 36 1/8" X 56 3/8" Entered as FS 35 1/8" X 55 7/8"	1,058.94	2	2,117.88

LINE ITEM QUOTES

The following is a schedule of the windows and doors for this project. For additional unit details, please see Line Item Quotes. Additional charges, tax or Terms and Conditions may apply. Detail pricing is per unit.

Line #1	Mark Unit: 1ST & 2ND UNIT 1ST FLR	Net Price:		927.03
Qty: 3		Ext. Net Price:	USD	2,781.09



As Viewed From The Exterior

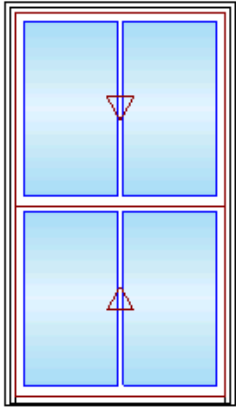
Entered As: FS
MO 39 5/8" X 60 1/4"
FS 39 1/8" X 60"
RO 40 1/8" X 60 1/2"
Egress Information
 Width: 36" Height: 25 3/32"
 Net Clear Opening: 6.27 SqFt
Performance Information
 U-Factor: 0.28
 Solar Heat Gain Coefficient: 0.28
 Visible Light Transmittance: 0.48
 Condensation Resistance: 56
 CPD Number: MAR-N-272-01534-00001
Performance Grade
 Licensee #783
 AAMA/WDMA/CSA/101/ I.S.2/A440-08
 LC-PG40 1054X1924 mm (42X76.8 in)
 LC-PG40 DP +40/-40
 FL6525

Bronze Exterior
 Bare Pine Interior
 Elevate Double Hung
 Frame Size 39 1/8" X 60"
 Rough Opening 40 1/8" X 60 1/2"
 Top Sash
 Bronze Exterior
 Bare Pine Interior
 IG
 Low E2 w/Argon
 Stainless Perimeter and Spacer Bar
 7/8" SDL - With Spacer Bar - Stainless
 Rectangular - Special Cut 2W1H
 Bronze Ext - Bare Int
 Bottom Sash
 Bronze Exterior
 Bare Pine Interior
 IG
 Low E2 w/Argon
 Stainless Perimeter and Spacer Bar
 7/8" SDL - With Spacer Bar - Stainless
 Rectangular - Special Cut 2W1H
 Bronze Ext - Bare Int
 Beige Weather Strip Package
 1 Almond Frost Sash Lock
 Exterior Aluminum Screen
 Bronze Surround
 Bright View Mesh
 4 9/16" Jamb
 Thru Jamb Installation
 ***Note: Divided lite cut alignment may not be accurately represented in the OMS drawing. Please consult your local representative for exact specifications.
*****Note: Unit Availability and Price is Subject to Change**

Line #2	Mark Unit: 1ST & 2ND UNIT 1ST FLR	Net Price:		886.44
Qty: 5		Ext. Net Price:	USD	4,432.20



Bronze Exterior
 Bare Pine Interior
 Elevate Double Hung
 Frame Size 35 1/8" X 60"
 Rough Opening 36 1/8" X 60 1/2"
 Top Sash
 Bronze Exterior
 Bare Pine Interior
 IG
 Low E2 w/Argon
 Stainless Perimeter and Spacer Bar
 7/8" SDL - With Spacer Bar - Stainless
 Rectangular - Special Cut 2W1H
 Bronze Ext - Bare Int



As Viewed From The Exterior

- Bottom Sash
- Bronze Exterior
- Bare Pine Interior
- IG
- Low E2 w/Argon
- Stainless Perimeter and Spacer Bar
- 7/8" SDL - With Spacer Bar - Stainless
- Rectangular - Special Cut 2W1H
- Bronze Ext - Bare Int
- Beige Weather Strip Package
- 1 Almond Frost Sash Lock
- Exterior Aluminum Screen
- Bronze Surround
- Bright View Mesh
- 4 9/16" Jambs
- Thru Jamb Installation

***Note: Divided lite cut alignment may not be accurately represented in the OMS drawing. Please consult your local representative for exact specifications.

***Note: Unit Availability and Price is Subject to Change

Entered As: FS

MO 35 5/8" X 60 1/4"

FS 35 1/8" X 60"

RO 36 1/8" X 60 1/2"

Egress Information

Width: 32" Height: 25 57/64"

Net Clear Opening: 5.75 SqFt

Performance Information

U-Factor: 0.28

Solar Heat Gain Coefficient: 0.28

Visible Light Transmittance: 0.48

Condensation Resistance: 56

CPD Number: MAR-N-272-01534-00001

Performance Grade

Licensee #783

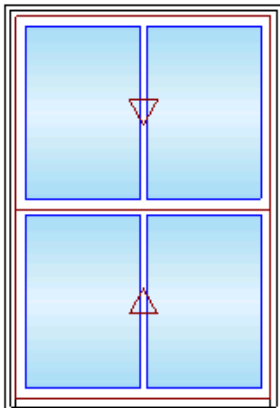
AAMA/WDMA/CSA/101/ I.S.2/A440-08

LC-PG40 1054X1924 mm (42X76.8 in)

LC-PG40 DP +40/-40

FL6525

Line #3	Mark Unit: 1ST UNIT 2ND FLR	Net Price:		905.28
Qty: 2		Ext. Net Price:	USD	1,810.56



As Viewed From The Exterior

- Bronze Exterior
- Bare Pine Interior
- Elevate Double Hung
- Frame Size 39 1/4" X 55 7/8"
- Rough Opening 40 1/4" X 56 3/8"
- Top Sash
- Bronze Exterior
- Bare Pine Interior
- IG
- Low E2 w/Argon
- Stainless Perimeter and Spacer Bar
- 7/8" SDL - With Spacer Bar - Stainless
- Rectangular - Special Cut 2W1H
- Bronze Ext - Bare Int
- Bottom Sash
- Bronze Exterior
- Bare Pine Interior
- IG
- Low E2 w/Argon
- Stainless Perimeter and Spacer Bar
- 7/8" SDL - With Spacer Bar - Stainless
- Rectangular - Special Cut 2W1H
- Bronze Ext - Bare Int
- Beige Weather Strip Package
- 1 Almond Frost Sash Lock
- Exterior Aluminum Screen
- Bronze Surround
- Bright View Mesh

Entered As: FS

MO 39 3/4" X 56 1/8"

FS 39 1/4" X 55 7/8"

RO 40 1/4" X 56 3/8"

Egress Information

Width: 36 1/8" Height: 23 1/32"

Net Clear Opening: 5.78 SqFt

Performance Information

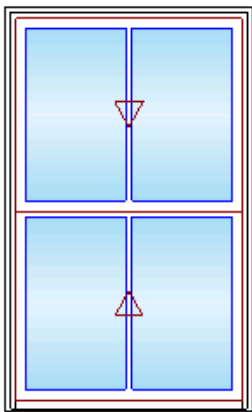
U-Factor: 0.28
 Solar Heat Gain Coefficient: 0.28
 Visible Light Transmittance: 0.48
 Condensation Resistance: 56
 CPD Number: MAR-N-272-01534-00001

Performance Grade

Licensee #783
 AAMA/WDMA/CSA/101/ I.S.2/A440-08
 LC-PG40 1054X1924 mm (42X76.8 in)
 LC-PG40 DP +40/-40
 FL6525

4 9/16" Jamb
 Thru Jamb Installation
 ***Note: Divided lite cut alignment may not be accurately represented in the OMS drawing. Please consult your local representative for exact specifications.
 ***Note: **Unit Availability and Price is Subject to Change**

Line #4	Mark Unit: 1ST & 2ND UNIT 2ND FLR	Net Price:		853.82
Qty: 1		Ext. Net Price:	USD	853.82



As Viewed From The Exterior

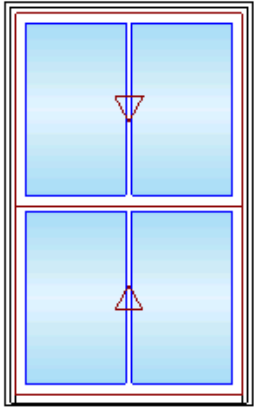
Entered As: FS
MO 35 5/8" X 56 1/8"
FS 35 1/8" X 55 7/8"
RO 36 1/8" X 56 3/8"
Egress Information
 Width: 32" Height: 23 1/32"
 Net Clear Opening: 5.12 SqFt
Performance Information
 U-Factor: 0.28
 Solar Heat Gain Coefficient: 0.28
 Visible Light Transmittance: 0.48
 Condensation Resistance: 56
 CPD Number: MAR-N-272-01534-00001
Performance Grade
 Licensee #783
 AAMA/WDMA/CSA/101/ I.S.2/A440-08
 LC-PG40 1054X1924 mm (42X76.8 in)
 LC-PG40 DP +40/-40
 FL6525

Bronze Exterior
 Bare Pine Interior
 Elevate Double Hung
 Frame Size 35 1/8" X 55 7/8"
 Rough Opening 36 1/8" X 56 3/8"
 Top Sash
 Bronze Exterior
 Bare Pine Interior
 IG
 Low E2 w/Argon
 Stainless Perimeter and Spacer Bar
 7/8" SDL - With Spacer Bar - Stainless
 Rectangular - Special Cut 2W1H
 Bronze Ext - Bare Int
 Bottom Sash
 Bronze Exterior
 Bare Pine Interior
 IG
 Low E2 w/Argon
 Stainless Perimeter and Spacer Bar
 7/8" SDL - With Spacer Bar - Stainless
 Rectangular - Special Cut 2W1H
 Bronze Ext - Bare Int
 Beige Weather Strip Package
 1 Almond Frost Sash Lock
 Exterior Aluminum Screen
 Bronze Surround
 Bright View Mesh
 4 9/16" Jamb
 Thru Jamb Installation
 ***Note: Divided lite cut alignment may not be accurately represented in the OMS drawing. Please consult your local representative for exact specifications.
 ***Note: **Unit Availability and Price is Subject to Change**

Line #5	Mark Unit: 1ST & 2ND UNIT 2ND FLR TEMP	Net Price:		1,058.94
Qty: 2		Ext. Net Price:	USD	2,117.88



Bronze Exterior
 Bare Pine Interior
 Elevate Double Hung
 Frame Size 35 1/8" X 55 7/8"
 Rough Opening 36 1/8" X 56 3/8"
 Glass Add For All Sash
 Top Sash
 Bronze Exterior
 Bare Pine Interior



As Viewed From The Exterior

Entered As: FS

MO 35 5/8" X 56 1/8"

FS 35 1/8" X 55 7/8"

RO 36 1/8" X 56 3/8"

Egress Information

Width: 32" Height: 23 1/32"

Net Clear Opening: 5.12 SqFt

Performance Information

U-Factor: 0.28

Solar Heat Gain Coefficient: 0.28

Visible Light Transmittance: 0.48

Condensation Resistance: 56

CPD Number: MAR-N-272-01534-00001

Performance Grade

Licensee #783

AAMA/WDMA/CSA/101/ I.S.2/A440-08

LC-PG40 1054X1924 mm (42X76.8 in)

LC-PG40 DP +40/-40

FL6525

IG
Tempered Low E2 w/Argon
Stainless Perimeter and Spacer Bar
7/8" SDL - With Spacer Bar - Stainless
Rectangular - Special Cut 2W1H
Bronze Ext - Bare Int
Bottom Sash
Bronze Exterior
Bare Pine Interior

IG
Tempered Low E2 w/Argon
Stainless Perimeter and Spacer Bar
7/8" SDL - With Spacer Bar - Stainless
Rectangular - Special Cut 2W1H
Bronze Ext - Bare Int
Beige Weather Strip Package
1 Almond Frost Sash Lock
Exterior Aluminum Screen
Bronze Surround
Bright View Mesh

4 9/16" Jamb
Thru Jamb Installation

***Note: Divided lite cut alignment may not be accurately represented in the OMS drawing. Please consult your local representative for exact specifications.

***Note: Unit Availability and Price is Subject to Change

Project Subtotal Net Price: USD 11,995.55
0.000% Sales Tax: USD 0.00
Project Total Net Price: USD 11,995.55

PRODUCT AND PERFORMANCE INFORMATION

NFRC Ratings:

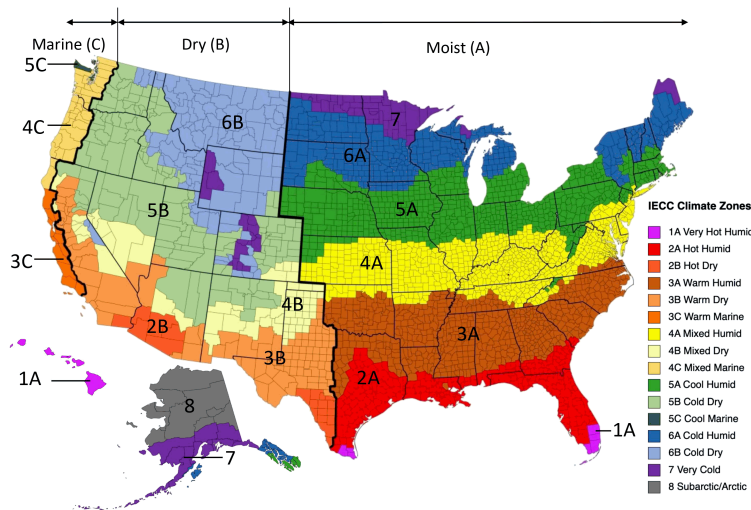
NFRC energy ratings may vary depending on the exact configuration of glass thickness used on the unit. NFRC energy values and ratings may change over time due to ongoing product changes, updated test results or requirements. NFRC values and ratings are finalized on the date of manufacture.

The National Fenestration Rating Council (NFRC) has developed and operates a uniform rating system for the energy performance of fenestration products, including windows, doors and skylights. For additional information regarding this rating system, see www.nfrc.org.

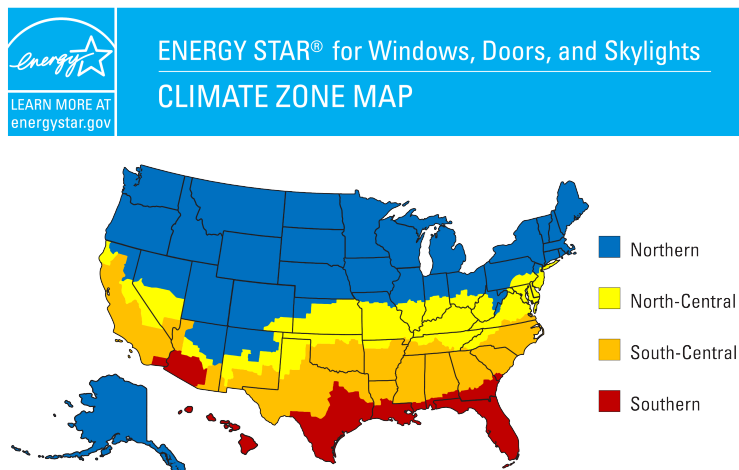
Code (residential, building or energy) Compliance:

Determining the suitability and compliance with state, provincial, local, or other applicable building codes or standards, including energy codes, is the responsibility of the buyer, user, architect, contractor, installer, and/or other construction professional.

2021 IECC Climate Zone Map:



ENERGY STAR Version 7 Climate Zone Map:



PURCHASE APPROVAL/SIGN OFF

Project Subtotal Net Price: USD 11,995.55
0.000% Sales Tax: USD 0.00
Project Total Net Price: USD 11,995.55

I have reviewed all line item quotes in detail and agree that the product specifications and pricing are accurate, and I approve the project for order. I acknowledge that additional charges, tax or Terms and Conditions may apply.

Seller: _____

Buyer: _____

DOUBLE HUNG

3 Wide and 4 Wide

MO (mm)	9-5 (2870)	7-2 1/2 (2197)	8-6 1/2 (2604)
RO (mm)	9-5 1/2 (2883)	7-3 (2210)	8-7 (2616)
FS (mm)	9-4 1/2 (2858)	7-2 (2184)	8-6 (2591)
3-0 (914)			
3-0 1/4 (921)	ELDH3836 3W	ELDH2236 4W	ELDH2636 4W
3-0 1/4 (922)			
3-4 (1016)	ELDH3840 3W	ELDH2240 4W	ELDH2640 4W
3-4 1/4 (1022)			
3-4 1/4 (1010)	ELDH3844 3W	ELDH2244 4W	ELDH2644 4W
3-8 (1176)			
3-8 1/4 (1124)	ELDH3848 3W	ELDH2248 4W	ELDH2648 4W
3-7 3/4 (1111)			
4-0 (1219)	ELDH3852 3W	ELDH2252 4W	ELDH2652 4W
4-0 1/4 (1226)			
4-0 1/4 (1213)	ELDH3856 3W	ELDH2256 4W	ELDH2656 4W
4-4 (1321)			
4-4 1/4 (1327)	ELDH3860 3W E	ELDH2260 4W	ELDH2660 4W
4-3 3/4 (1314)			
4-4 (1422)	ELDH3864 3W E	ELDH2264 4W	ELDH2664 4W
4-8 1/4 (1429)			
4-8 1/4 (1416)	ELDH3868 3W	ELDH2268 4W	ELDH2668 4W
5-0 (1524)			
5-0 1/4 (1530)	ELDH3872 3W E	ELDH2272 4W	ELDH2672 4W
4-11 3/4 (1518)			
5-4 (1626)	ELDH3876 3W E	ELDH2276 4W	ELDH2676 4W
5-4 1/4 (1632)			
5-3 3/4 (1619)	ELDH3880 3W	ELDH2280 4W	ELDH2680 4W
5-8 (1727)			
5-8 1/4 (1734)	ELDH3884 3W	ELDH2284 4W	ELDH2684 4W
5-7 3/4 (1721)			
6-0 (1829)	ELDH3888 3W	ELDH2288 4W	ELDH2688 4W
6-0 1/4 (1835)			
6-3 3/4 (1822)	ELDH3892 3W	ELDH2292 4W	ELDH2692 4W
6-4 (1930)			
6-4 1/4 (1937)	ELDH3896 3W	ELDH2296 4W	ELDH2696 4W
6-3 3/4 (1924)			
	ELDH3900 3W	ELDH2300 4W	ELDH2700 4W

Details and Elevations not to scale.

Special sized units available within and outside of CN matrix. Please contact your Marvin dealer.

Minimum frame size: 17 1/2" x 27 3/4"

Maximum frame size: 53 1/2" x 83 3/4"

Optional Double Hung GBGs and SDLs are available in a standard Rectangular cut shown. Other available lite cuts shown on page 3.

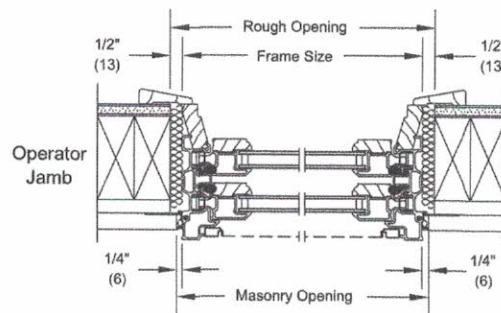
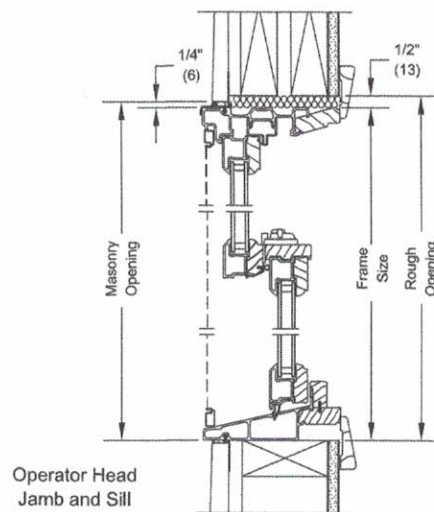
When ordering 6 9/16" (167 mm) or 6 13/16" (173 mm) jambs, add 1/4" (6 mm) to width and 1/8" (3 mm) to height for Rough Opening, Frame Size and Masonry Opening.

E = These windows meet National Egress Codes for fire evacuation. Local codes may differ.

Available in equal, cottage, and reverse cottage sash configurations. Cottage and reverse cottage sash configurations are not available below CN 36 height and above CN 68 height.

For further details and drawings visit the 'Tools and Documents' section at Marvin.com.

Construction Details



MULTIPLE ASSEMBLIES

Multiple assemblies can be factory mullied.

MAXIMUM ROUGH OPENING not to exceed 113 1/2" x 76 1/4" Maximum up to 5 units wide by 1 unit high.

MAXIMUM ROUGH OPENING not to exceed 84" x 92" Maximum up to 3 units wide by 5 units high.

Field mull kits are available. Structural mullion reinforcement is required for some assemblies.

Please consult your local Marvin representative for more information.