



VIEW FROM COURT STREET



AERIAL VIEW

This application for HDC administrative approval is a follow up to the previous HDC approval on July 13, 2018 for the multi-family project located at 160 Court Street. This property is not a part of the Portsmouth Housing Authority and is privately owned.

A property line adjustment was approved by the Planning Board on August 21, 2018 and the demolition of the "brown building" additions to the historic Gideon Beck house were also approved by the HDC and Planning board. This lot line adjustment and subsequent demolition will again expose the original rear facade of the Gideon Beck house.

152 COURT STREET
PORTSMOUTH, NEW HAMPSHIRE

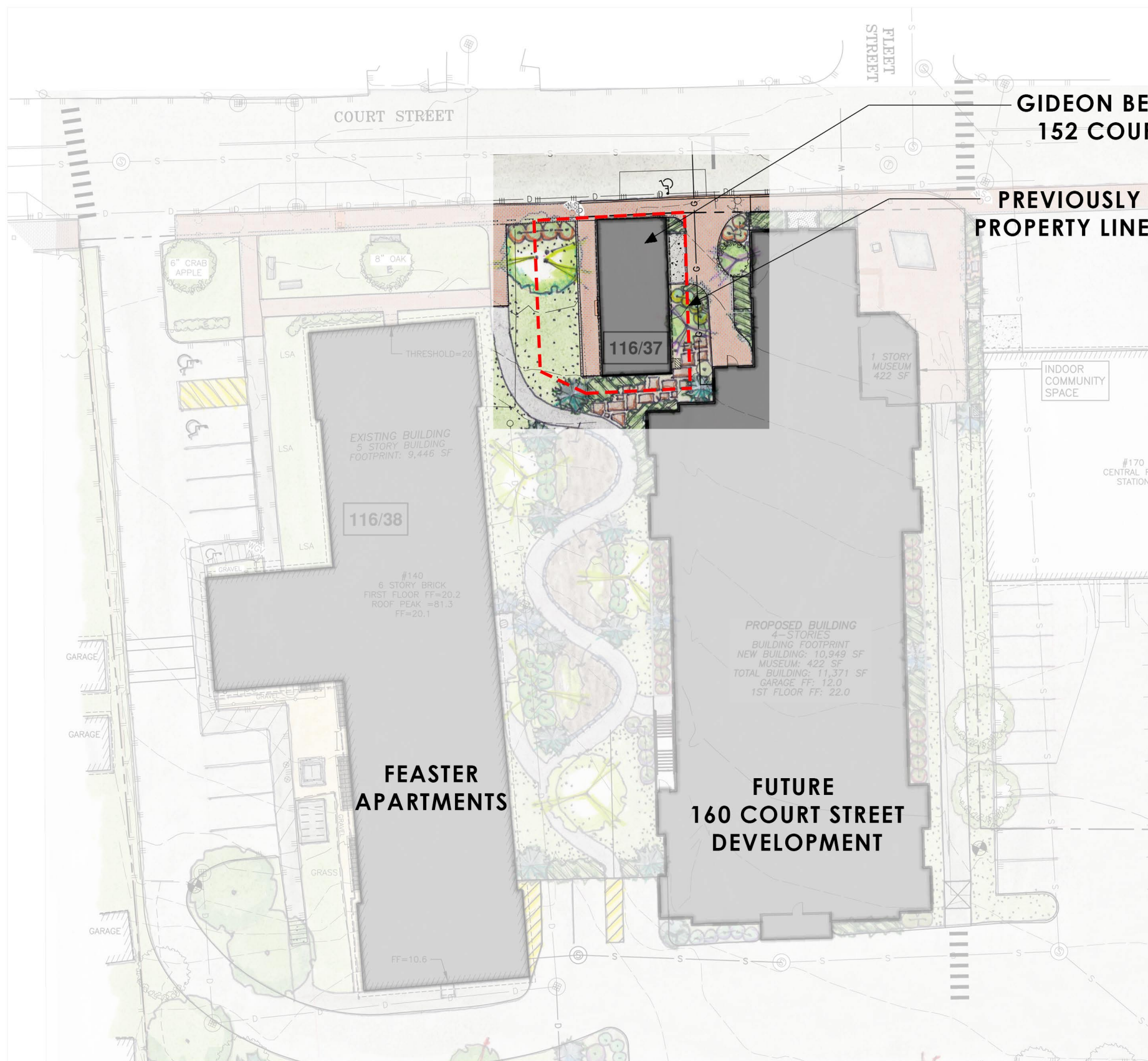
PROJECT LOCATION

HDC APPLICATION FOR ADMINISTRATIVE APPROVAL: JULY 10, 2019



233 VAUGHAN ST, SUITE 101
PORTSMOUTH, NH 03801
(603) 431-2808
www.cjarchitects.net

1.0



**GIDEON BECK HOUSE
152 COURT STREET**

**PREVIOUSLY APPROVED
PROPERTY LINE ADJUSTMENT**

**GIDEON BECK HOUSE
152 COURT STREET**

**FUTURE
160 COURT STREET
DEVELOPMENT**

**FEASTER
APARTMENTS**



VIEW LOOKING EAST ON COURT STREET

152 COURT STREET
PORTSMOUTH, NEW HAMPSHIRE

SITE PLAN

HDC APPLICATION FOR ADMINISTRATIVE APPROVAL: JULY 10, 2019



233 VAUGHAN ST, SUITE 101
PORTSMOUTH, NH 03801
(603) 431-2808
www.cjarchitects.net

2.0



COURT STREET VIEW WEST FROM PLEASANT STREET



VIEW EAST DOWN COURT STREET



VIEW NORTH ACROSS PARKING LOT TO COURT STREET



VIEW SOUTH ACROSS COURT STREET

152 COURT STREET
PORTSMOUTH, NEW HAMPSHIRE

STREET VIEWS

HDC APPLICATION FOR WORK SESSION/PUBLIC HEARING: JULY 10, 2019



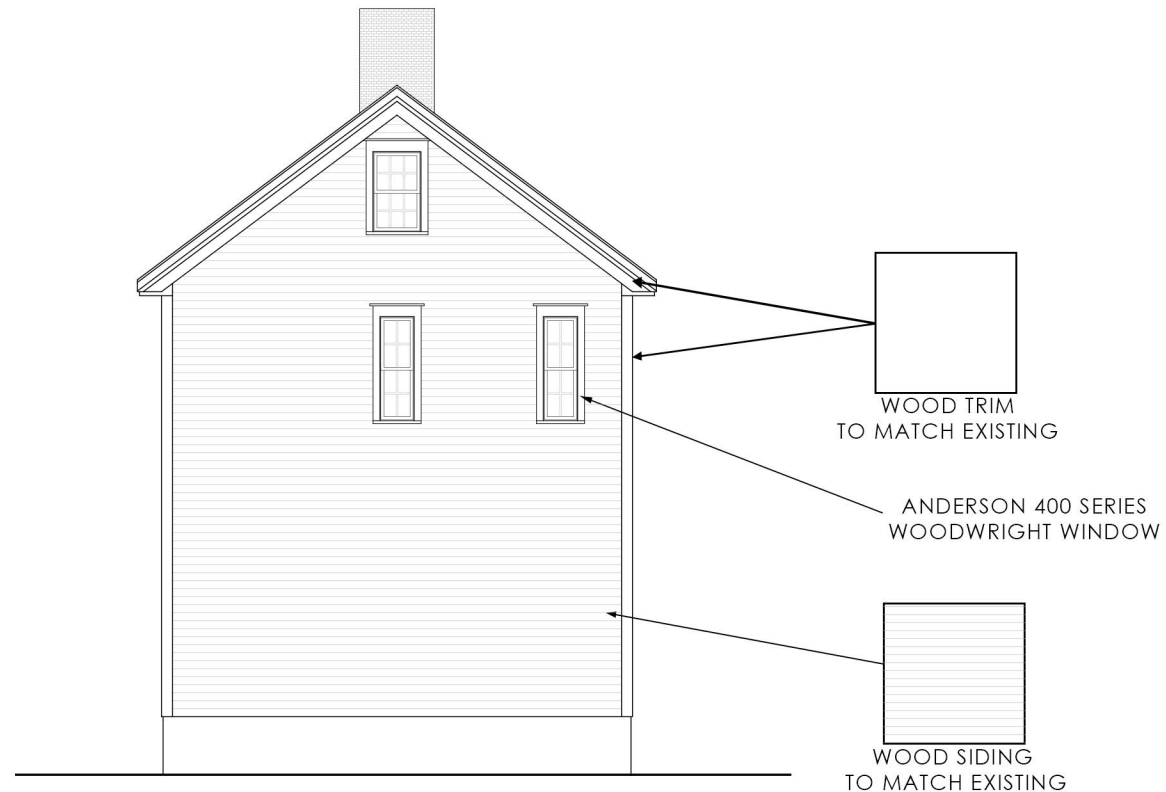
233 VAUGHAN ST, SUITE 101
PORTSMOUTH, NH 03801
(603) 431-2808
www.cjarchitects.net

3.0

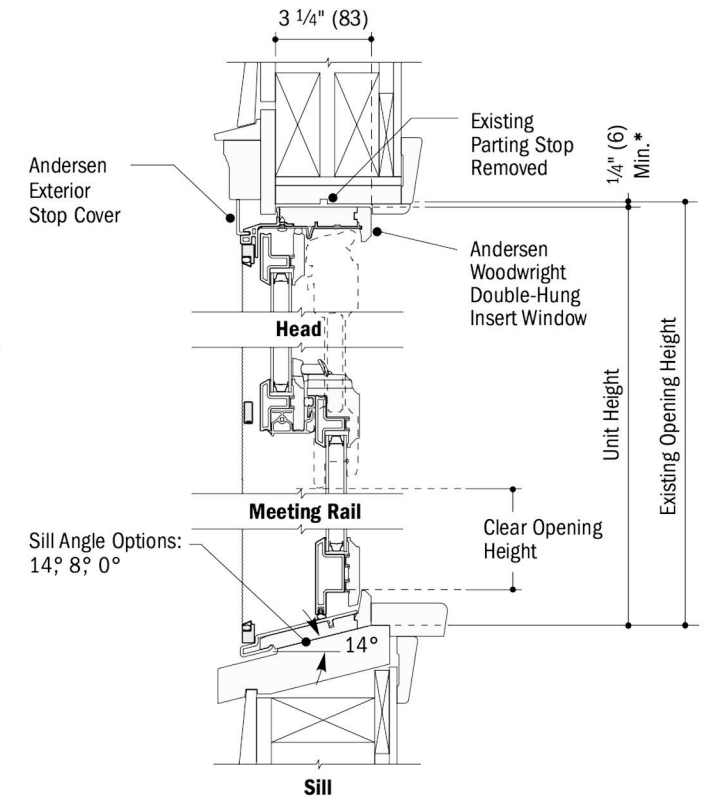
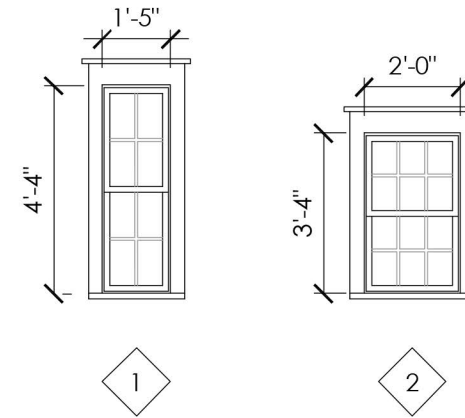
Much of the original back wall of the Gideon Beck house has been demolished during the brown building construction.

The previously approved rendering and site plan on page 2.0 shows the rear elevation will be screened by the new multi-family construction on the adjacent property.

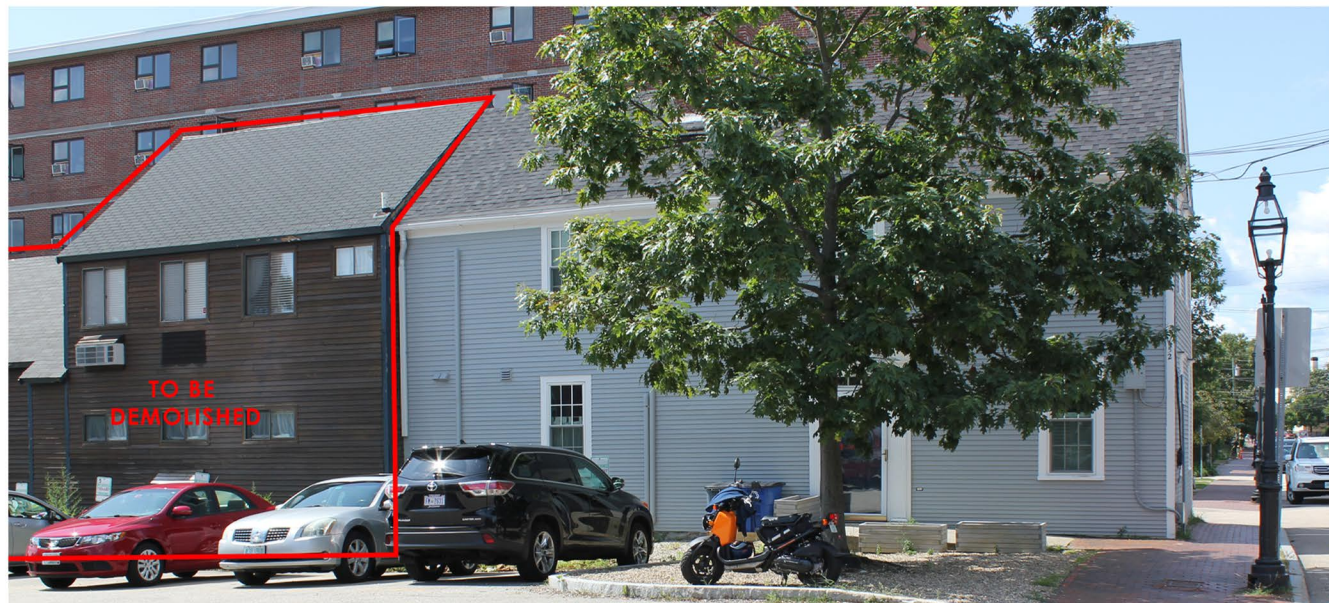
The proposed new windows on the rear elevation are designed to replicate the size and grill patterns on the existing elevations. The new window locations shown are in response to existing interior partitions.



PROPOSED SOUTH ELEVATION
1/8" = 1'-0"



Vertical Section
ANDERSON 400 SERIES WOODWRIGHT WINDOW



EXISTING EAST ELEVATION TO REMAIN - NO CHANGES PROPOSED



EXISTING NORTH ELEVATION TO REMAIN - NO CHANGES PROPOSED



EXISTING WEST ELEVATION TO REMAIN - NO CHANGES PROPOSED

152 COURT STREET
PORTSMOUTH, NEW HAMPSHIRE

EXISTING AND PROPOSED ELEVATIONS
HDC APPLICATION FOR ADMINISTRATIVE APPROVAL: JULY 10, 2019



233 VAUGHAN ST, SUITE 101
PORTSMOUTH, NH 03801
(603) 431-2808
www.cjarchitects.net

4.0