

# 157-163 DEER ST, LOT 4

PUBLIC HEARING - FEBRUARY 2018



DRAWING SHEET LIST - HDC January 2018	
SHEET NO.	NAME
HDCws7	
1.1	COVER
1.2a	SUMMARY & SITE PLAN
1.2b	SITE MAP
1.3a	SITE SECTION
1.3b	SITE SECTION
2.0a	FIRST FLOOR PLAN
2.0b	FIRST FLOOR REFLECTED CEILING PLAN
2.1a	VIEW FROM BRIDGE STREET
2.1b	VIEW FROM DEER STREET
2.2a	VIEW FROM MAPLEWOOD AVE
2.2b	VIEW DETAIL - CORNICES
3.1a	3D VIEW
3.1b	SOUTH ELEVATION
3.2a	3D VIEW
3.2b	EAST ELEVATION
3.3a	3D VIEW
3.3b	NORTH ELEVATION
3.4a	3D VIEW
3.4b	WEST ELEVATION
3.5a	3D VIEW
3.5b	DRIVE-THROUGH ELEVATIONS
4.1a	DETAILS - METAL GRILLES
4.1b	DETAILS - WINDOWS
4.2a	DETAILS - CANOPY
4.2b	DETAILS - MASONRY BASE
4.3a	DETAILS - UPPER CORNICES
4.3b	DETAILS - LIGHT SHELF SOFFIT
4.4a	DETAILS - BALCONY RAILINGS
4.4b	MATERIAL SCHEDULE
4.4c	WINDOW & DOOR TYPES
4.5	MATERIALS PRODUCT DATA

1.1

## COVER

### 157-163 DEER ST: Lot 4 - Deer Street Assoc.

SCALE:  
1/19/2018



## Objectives

- Welcoming, vibrant & pedestrian friendly atmosphere (ZO 10.631.20 Purpose & Intent 1- 6; 10.635.60 Review Factors 1-3; 10.635.70 Criteria 1-4)
- Sense of place (ZO Purpose& Intent 1-6; Factors 1-3, Criteria 1-4)
- Fulfill goals of City Master Plan and North End Vision Plan
- Connectivity (Master Plan 1.1.2, 1.1.3, 2.2.1) (ZC Purpose& Intent 1-6, Factor 1)
- Building design (Master Plan, pg. 108-110; Northend Vision Plan Pg.1; ZO Purpose & Intent 4) (ZO Purpose& Intent 1-6, Factors 1-3, Criteria 1-4)
- Land use (Master Plan 3.2.2 & 3.3; ZO Incentive 10.5A46.20)
- Vibrancy (Master Plan 3.3.2; ZC Purpose& Intent 4-6)
- Sustainability (Master Plan 5.4; ZO Purpose & Intent 5-6; Review Factor 3; Criteria 4),
- Coastal Resiliency (Master Plan 5.1)

## Summary of Revisions

### Theme

Continued development of "contemporary interpretation of historic industrial".

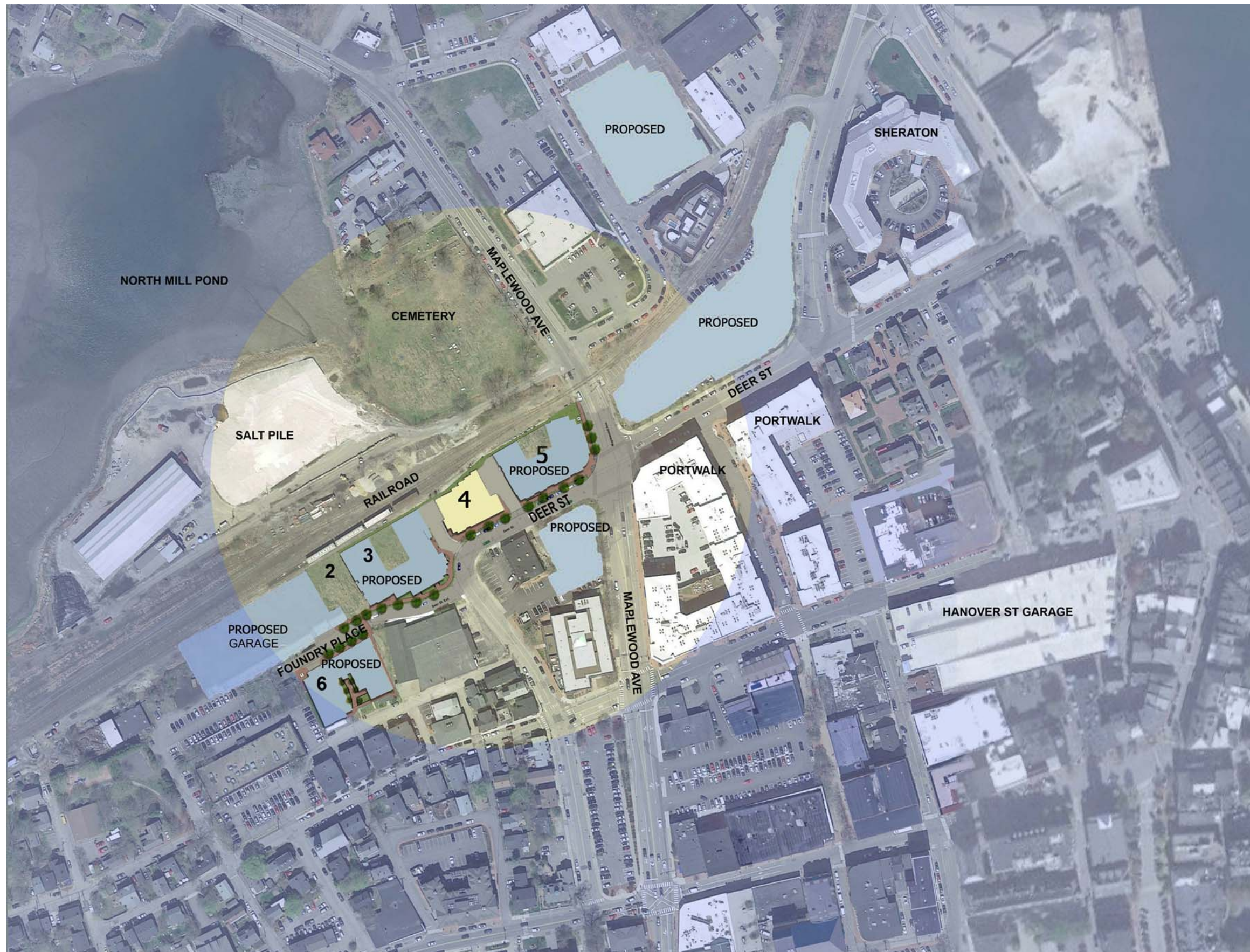
### Details

### Additional Information:

Window & Door Schedule & Dimensions

Materials Product Data Sheets:





1.2b

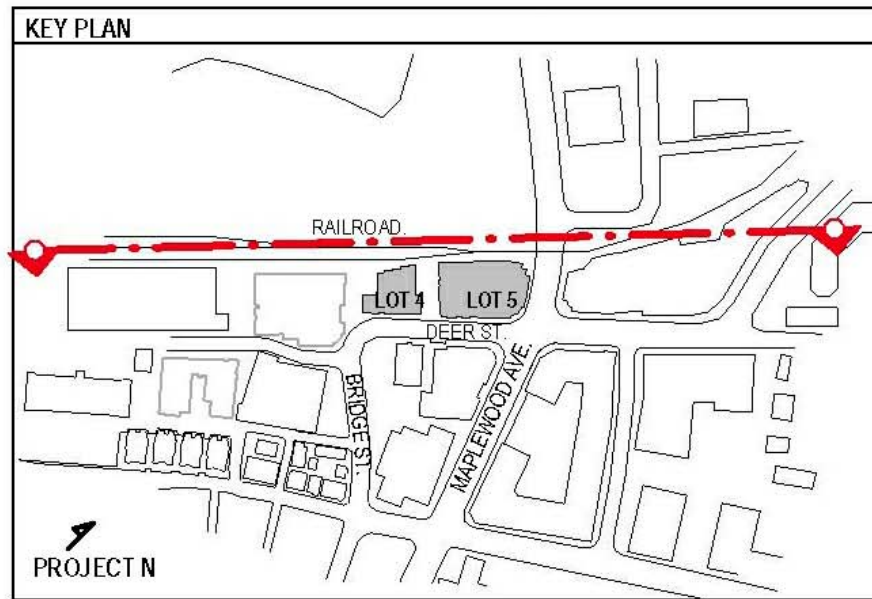
**SITE MAP**

**Deer Street Lot 4**

SCALE:  
12.06.17



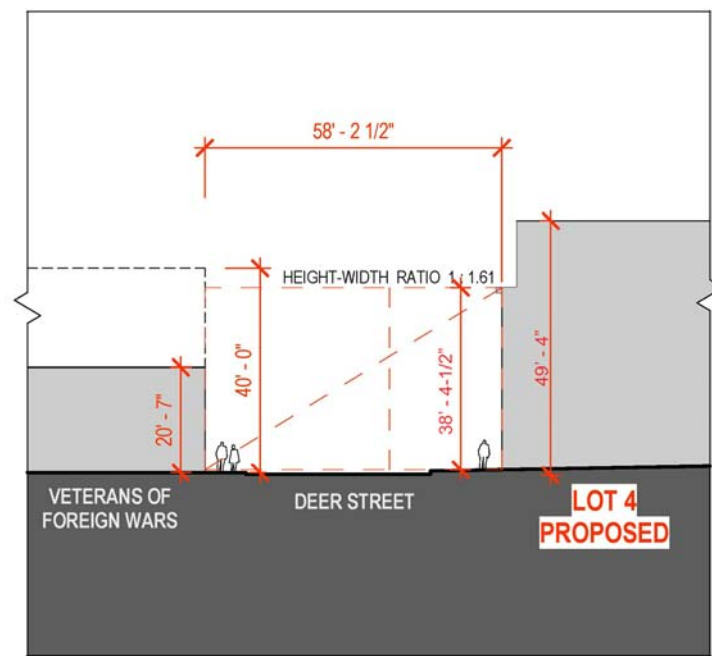
ARCHITECTS  
INTERIORS  
PLANNERS



**LOT 5  
PROPOSED**



**LOT 4  
PROPOSED**



③

**1.3b**

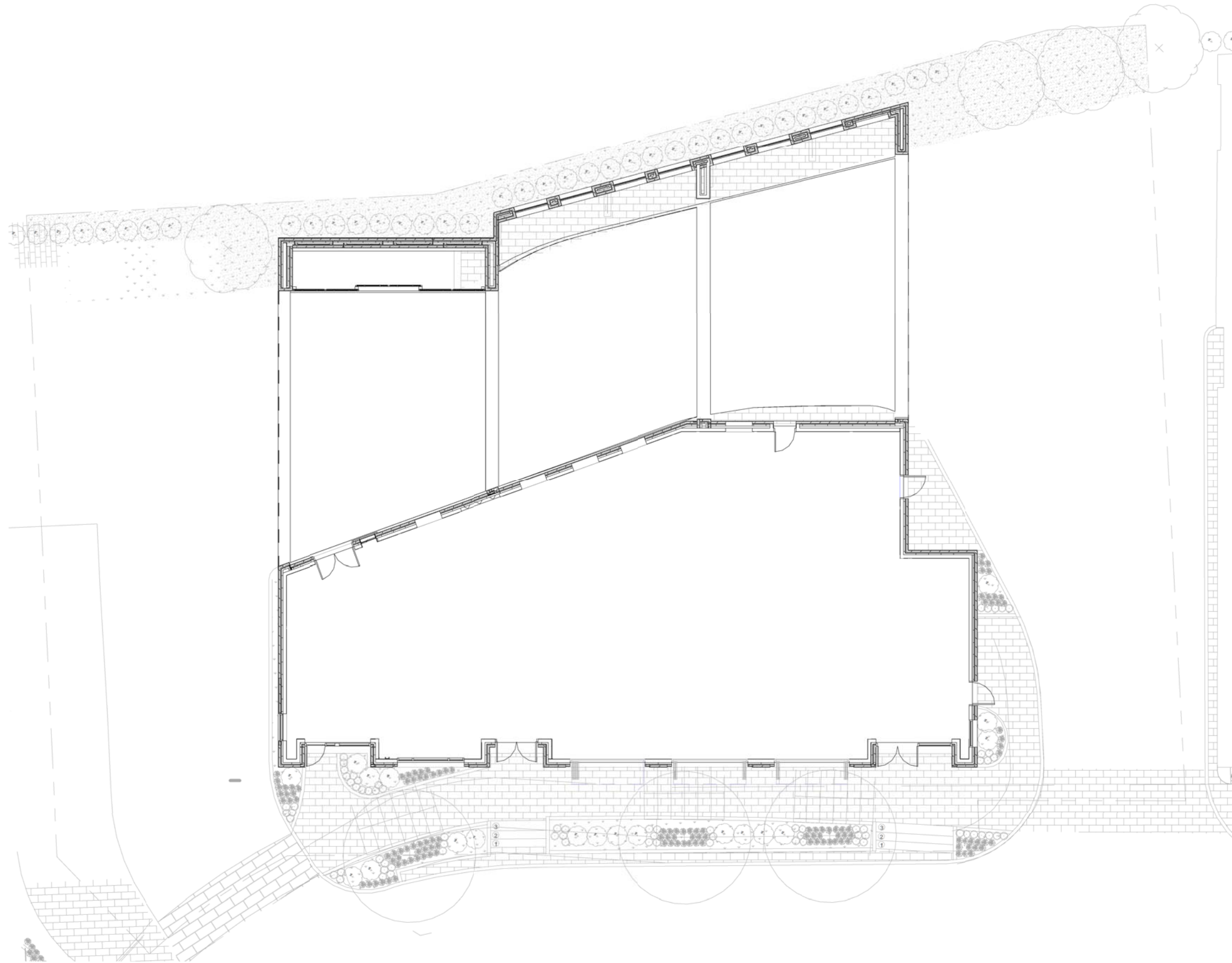
**SITE SECTION**

**Deer Street Lot 4**

SCALE:  
12.06.17

**JSA**

ARCHITECTS  
INTERIORS  
PLANNERS



ARCHITECTS  
INTERIORS  
PLANNERS

2.0a

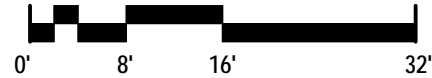
## FIRST FLOOR PLAN

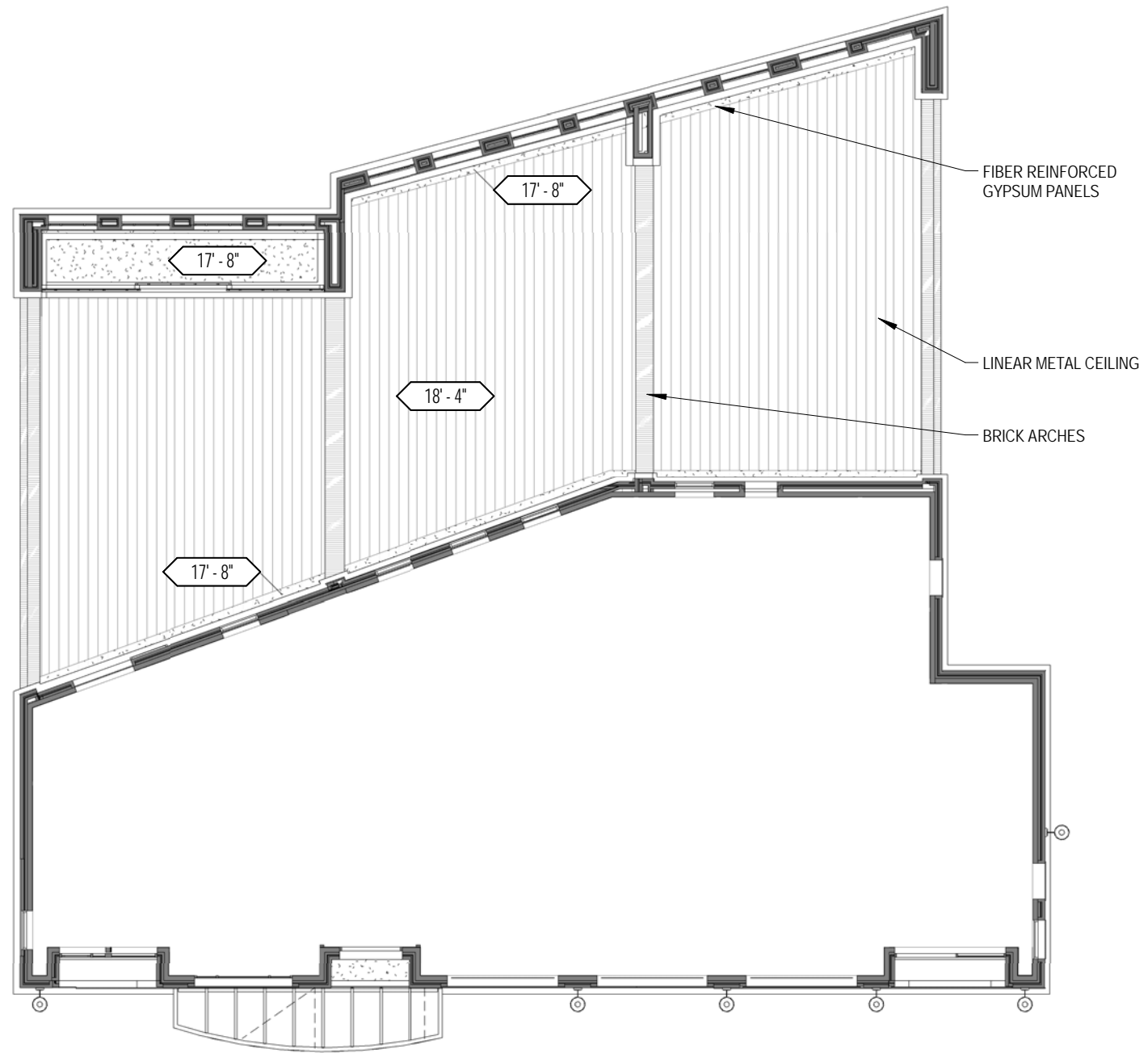
Deer Street Lot 4

12.06.17

1/16" = 1'-0"

GRAPHIC SCALE: 1/16" = 1'-0"



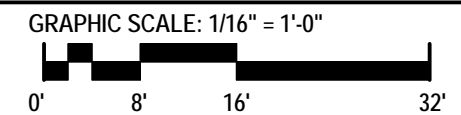


**2.0b**

**FIRST FLOOR REFLECTED CEILING PLAN**

**Deer Street Lot 4**

SCALE: 1/16" = 1'-0"  
12.06.17



ARCHITECTS  
INTERIORS  
PLANNERS







TANGRAM 3DS

2.1b

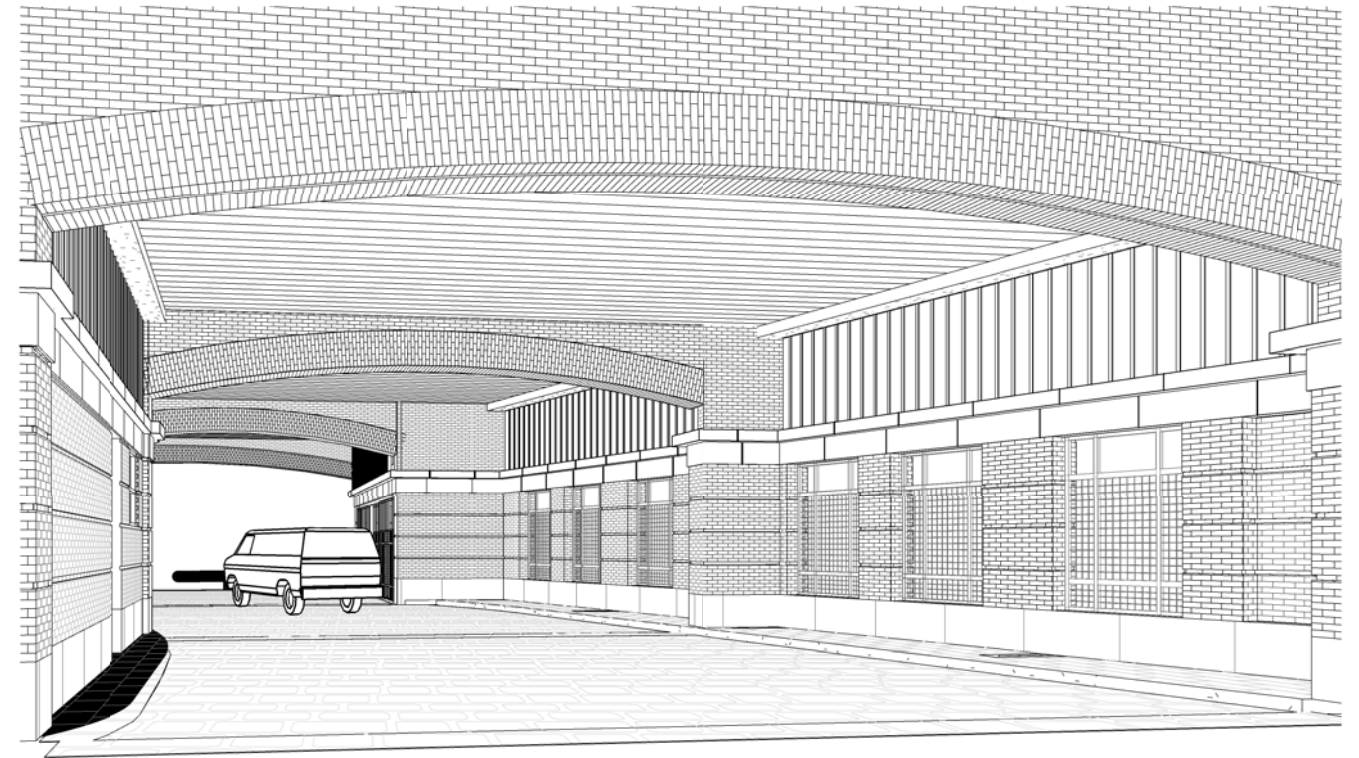
VIEW FROM DEER STREET

Deer Street Lot 4

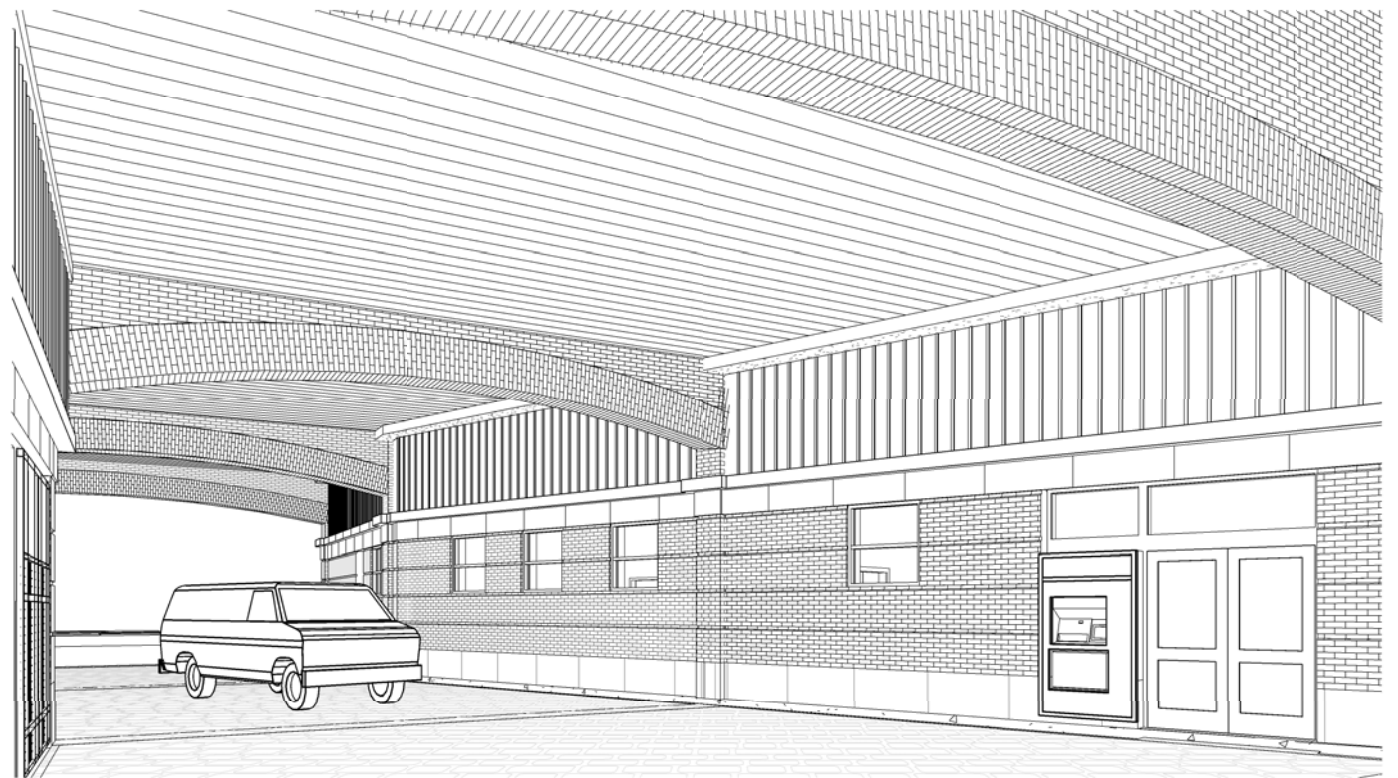
SCALE:  
12.06.17

JSA

ARCHITECTS  
INTERIORS  
PLANNERS



1 DRIVE-THROUGH LOOKING WEST



2 DRIVE-THROUGH LOOKING EAST



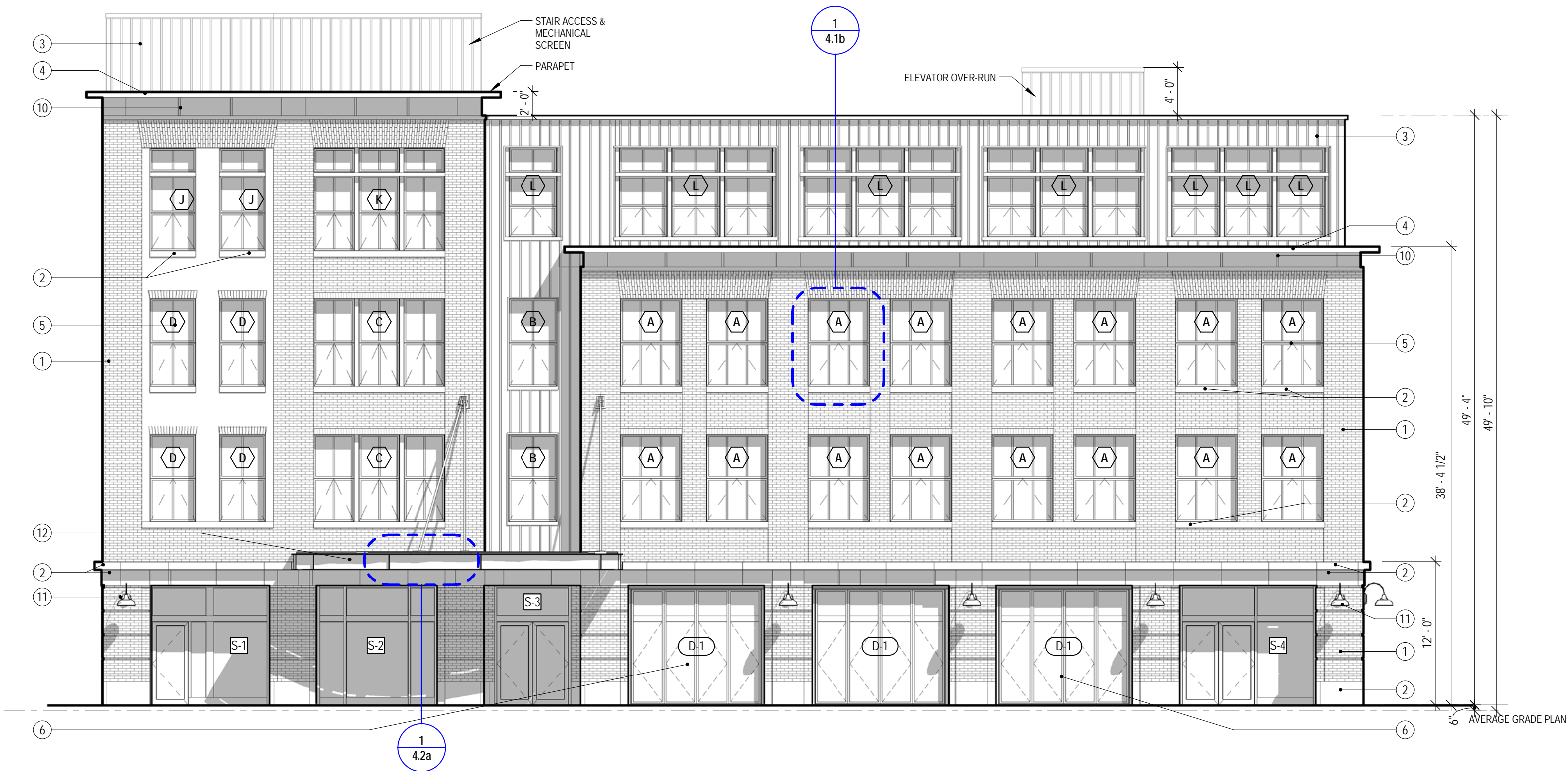
2.2b

**VIEW DETAIL - CORNICES**

**Deer Street Lot 4**

SCALE:  
1:2.06.17





### ELEVATION KEY NOTES

- |                                   |  |
|-----------------------------------|--|
| 1. Brick                          | 7. Railing system – painted steel & metal mesh |
| 2. Precast architectural concrete | 8. Decorative Grille – painted steel           |
| 3. Zinc siding                    | 9. Gate – painted steel with metal mesh        |
| 4. Aluminum coping                | 10. Bracket – aluminum clad                    |
| 5. Windows – aluminum clad wood   | 11. Light fixture                              |
| 6. Operable folding glass panels  | 12. Canopy – steel & glass                     |

3.1b

### SOUTH ELEVATION

Deer Street Lot 4

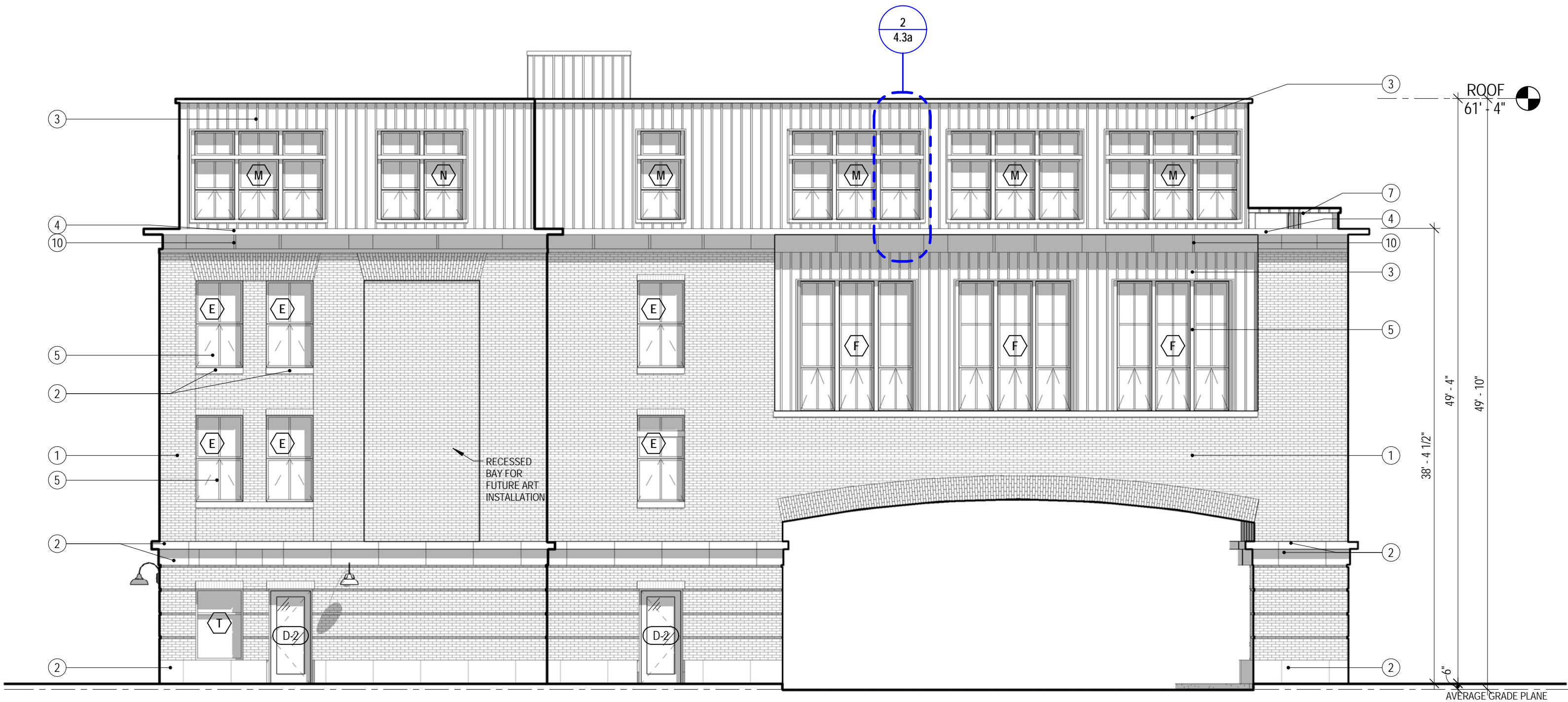
SCALE: As indicated  
1/19/2018

GRAPHIC SCALE: 1/8" = 1'-0"



ARCHITECTS  
INTERIORS  
PLANNERS





### ELEVATION KEY NOTES

- |                                   |  |
|-----------------------------------|--|
| 1. Brick                          | 7. Railing system – painted steel & metal mesh |
| 2. Precast architectural concrete | 8. Decorative Grille – painted steel           |
| 3. Zinc siding                    | 9. Gate – painted steel with metal mesh        |
| 4. Aluminum coping                | 10. Bracket – aluminum clad                    |
| 5. Windows – aluminum clad wood   | 11. Light fixture                              |
| 6. Operable folding glass panels  | 12. Canopy – steel & glass                     |

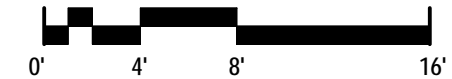
3.2b

### EAST ELEVATION

### Deer Street Lot 4

SCALE: As indicated  
1/19/2018

GRAPHIC SCALE: 1/8" = 1'-0"



ARCHITECTS  
INTERIORS  
PLANNERS



ARCHITECTS  
INTERIORS  
PLANNERS

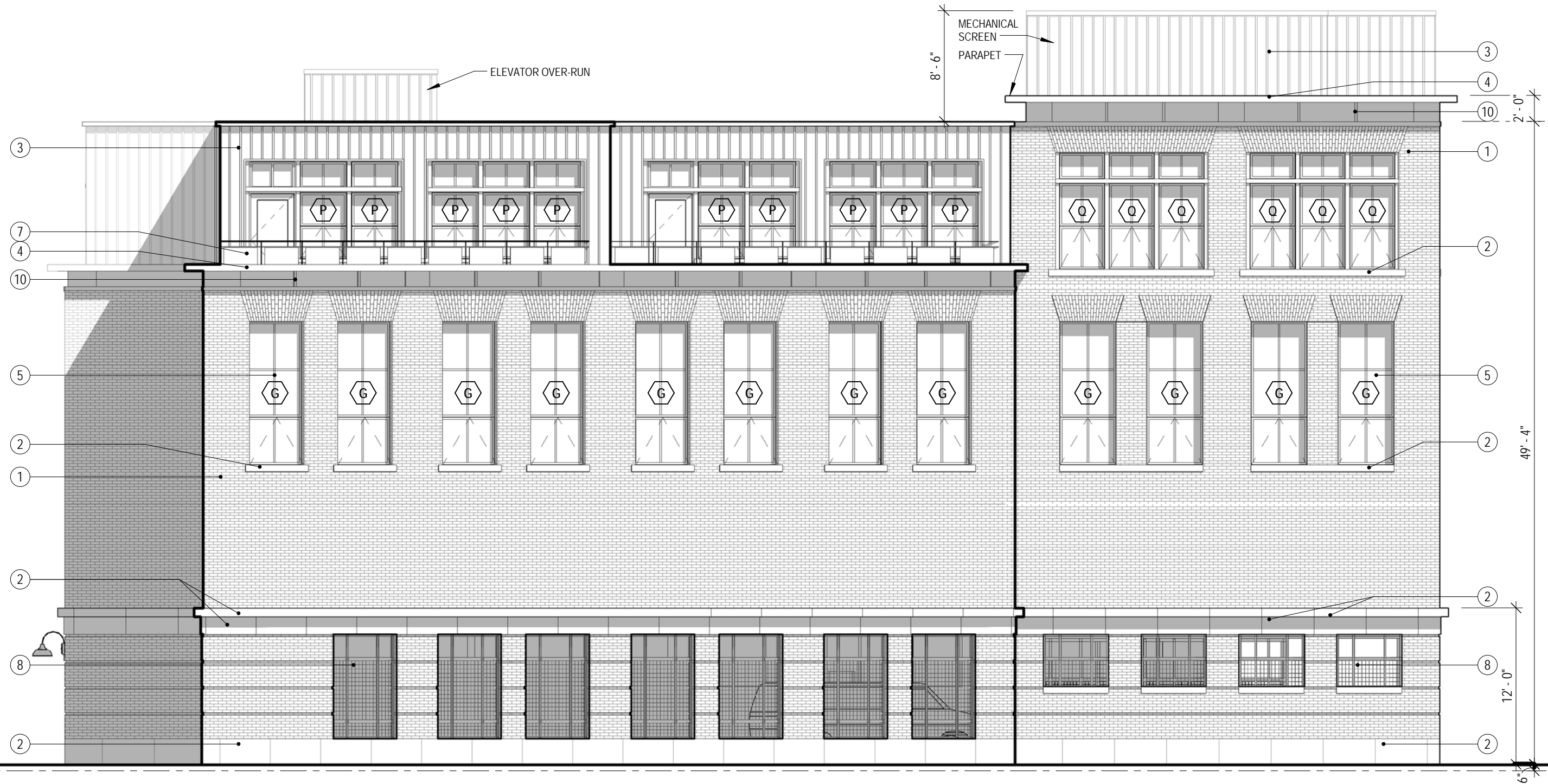
3.3a

3D VIEW

Deer Street Lot 4

12.06.17





### ELEVATION KEY NOTES

- |                                   |  |
|-----------------------------------|--|
| 1. Brick                          | 7. Railing system – painted steel & metal mesh |
| 2. Precast architectural concrete | 8. Decorative Grille – painted steel           |
| 3. Zinc siding                    | 9. Gate – painted steel with metal mesh        |
| 4. Aluminum coping                | 10. Bracket – aluminum clad                    |
| 5. Windows – aluminum clad wood   | 11. Light fixture                              |
| 6. Operable folding glass panels  | 12. Canopy – steel & glass                     |

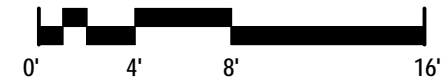
**3.3b**

### NORTH ELEVATION

### Deer Street Lot 4

SCALE: As indicated  
1/19/2018

GRAPHIC SCALE: 1/8" = 1'-0"







### ELEVATION KEY NOTES

- |                                   |  |
|-----------------------------------|--|
| 1. Brick                          | 7. Railing system – painted steel & metal mesh |
| 2. Precast architectural concrete | 8. Decorative Grille – painted steel           |
| 3. Zinc siding                    | 9. Gate – painted steel with metal mesh        |
| 4. Aluminum coping                | 10. Bracket – aluminum clad                    |
| 5. Windows – aluminum clad wood   | 11. Light fixture                              |
| 6. Operable folding glass panels  | 12. Canopy – steel & glass                     |

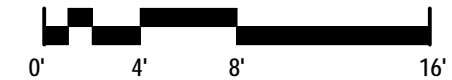
**3.4b**

### WEST ELEVATION

### Deer Street Lot 4

SCALE: As indicated  
1/19/2018

GRAPHIC SCALE: 1/8" = 1'-0"





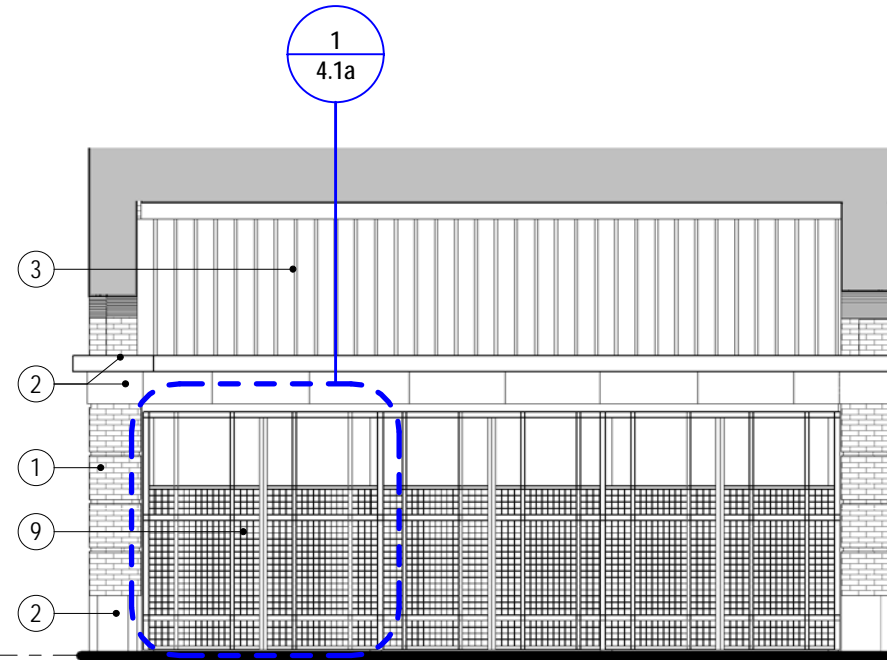
ARCHITECTS  
INTERIORS  
PLANNERS

3.5a

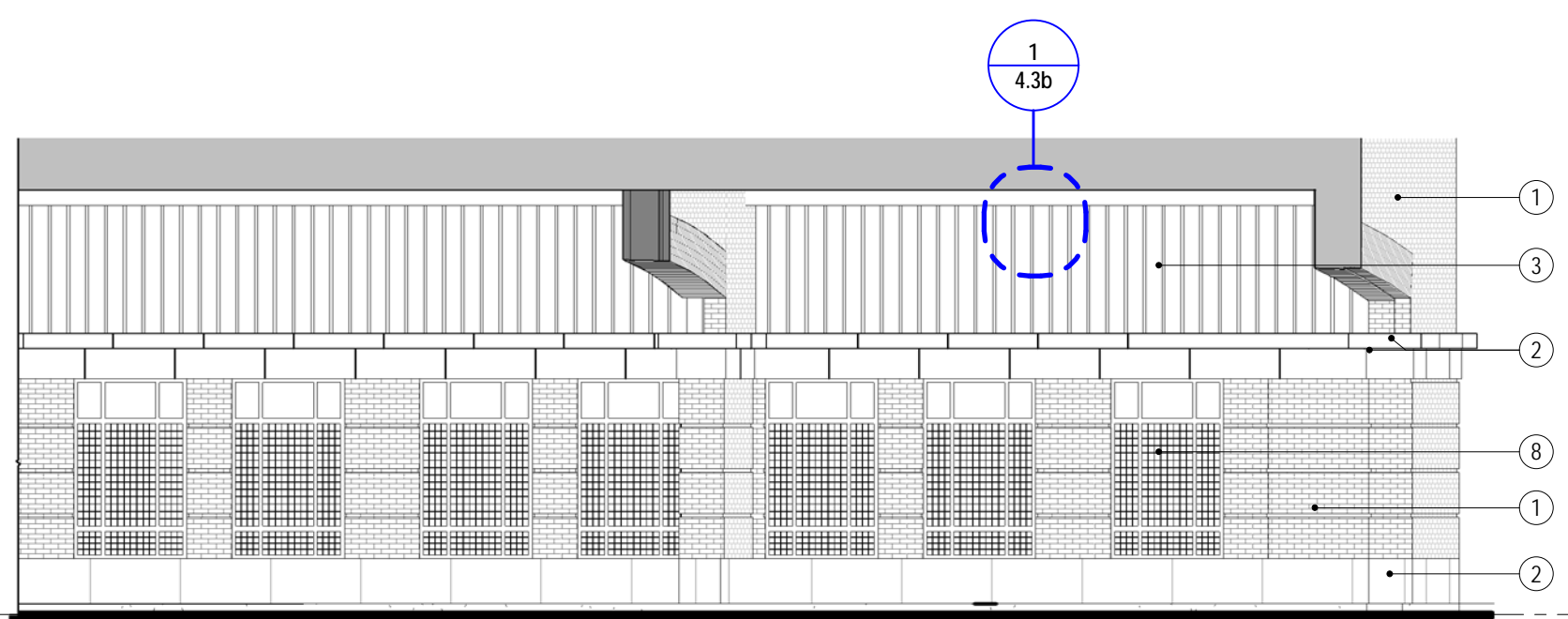
3D VIEW

Deer Street Lot 4

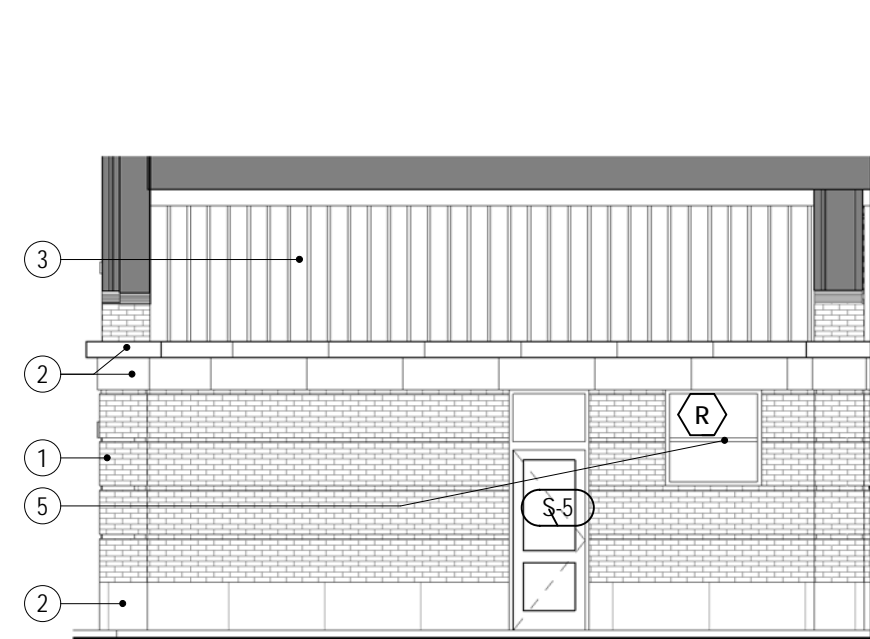
12.06.17



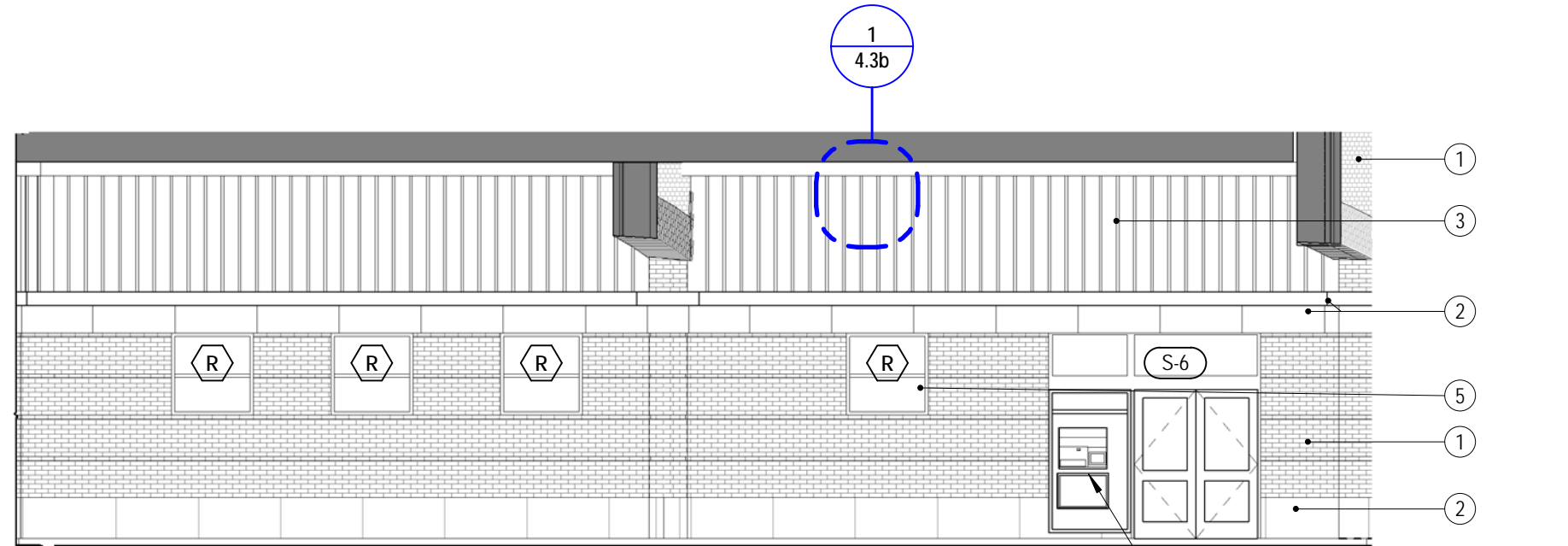
1 HDCws7 DRIVE-THROUGH NORTHWEST  
1/8" = 1'-0"



2 DRIVE-THROUGH NORTHEAST  
1/8" = 1'-0"



3 HDCws7 DRIVE-THRU SOUTHEAST  
1/8" = 1'-0"



4 DRIVE-THROUGH SOUTHWEST  
1/8" = 1'-0"

### ELEVATION KEY NOTES

- |                                   |  |
|-----------------------------------|--|
| 1. Brick                          | 7. Railing system – painted steel & metal mesh |
| 2. Precast architectural concrete | 8. Decorative Grille – painted steel           |
| 3. Zinc siding                    | 9. Gate – painted steel with metal mesh        |
| 4. Aluminum coping                | 10. Bracket – aluminum clad                    |
| 5. Windows – aluminum clad wood   | 11. Light fixture                              |
| 6. Operable folding glass panels  | 12. Canopy – steel & glass                     |

3.5b

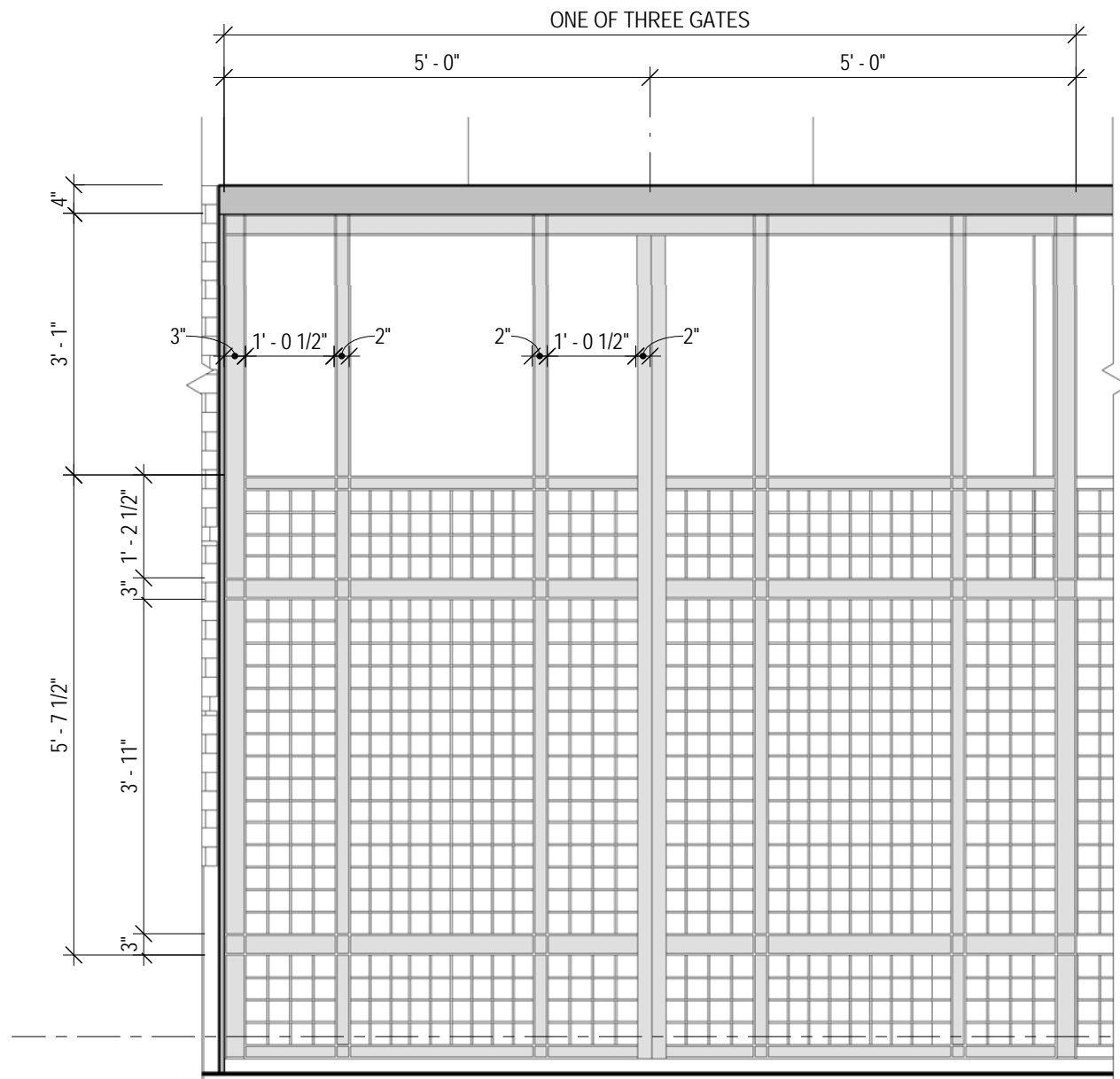
## DRIVE-THROUGH ELEVATIONS

### Deer Street Lot 4

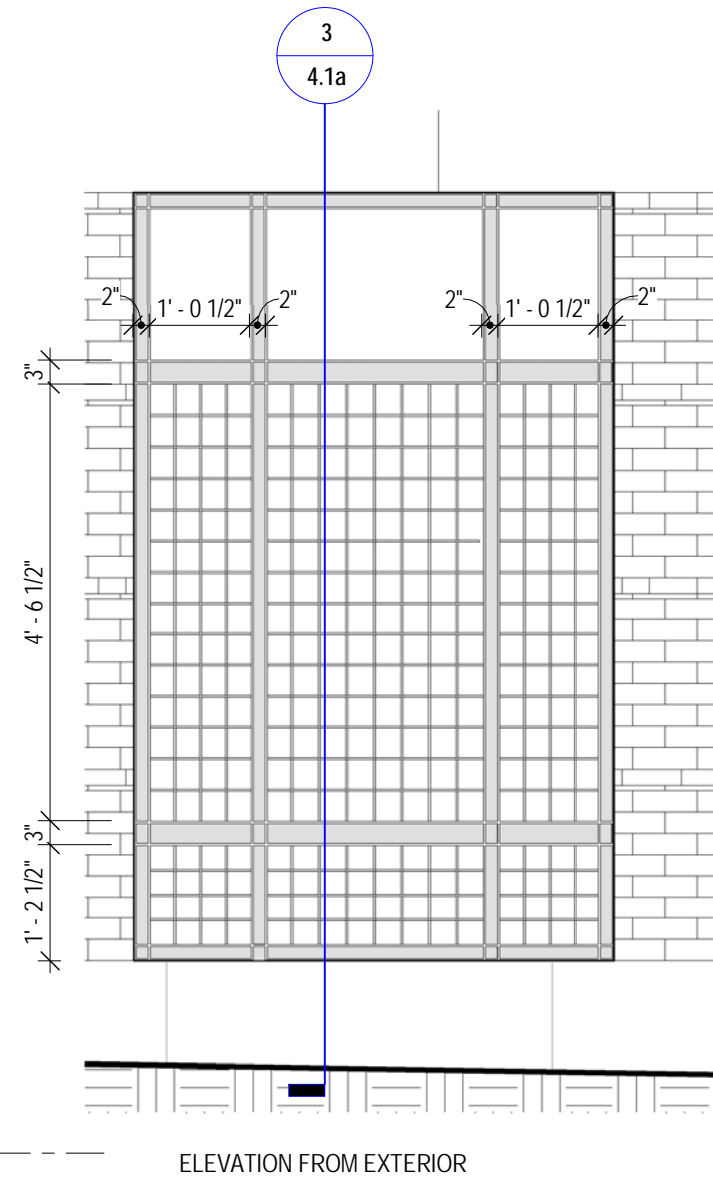
SCALE: As indicated  
1/19/2018



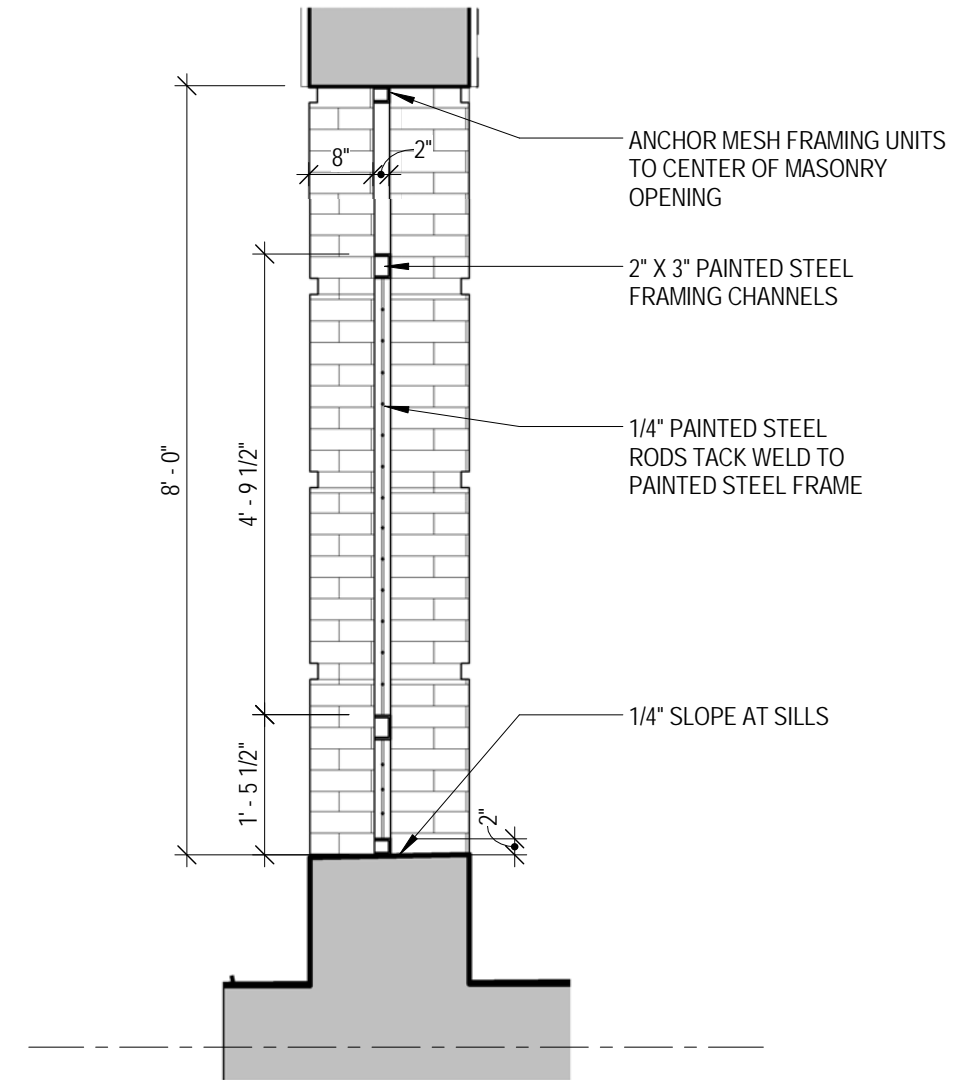
ARCHITECTS  
INTERIORS  
PLANNERS



1 SLIDING METAL GATES  
1/2" = 1'-0"

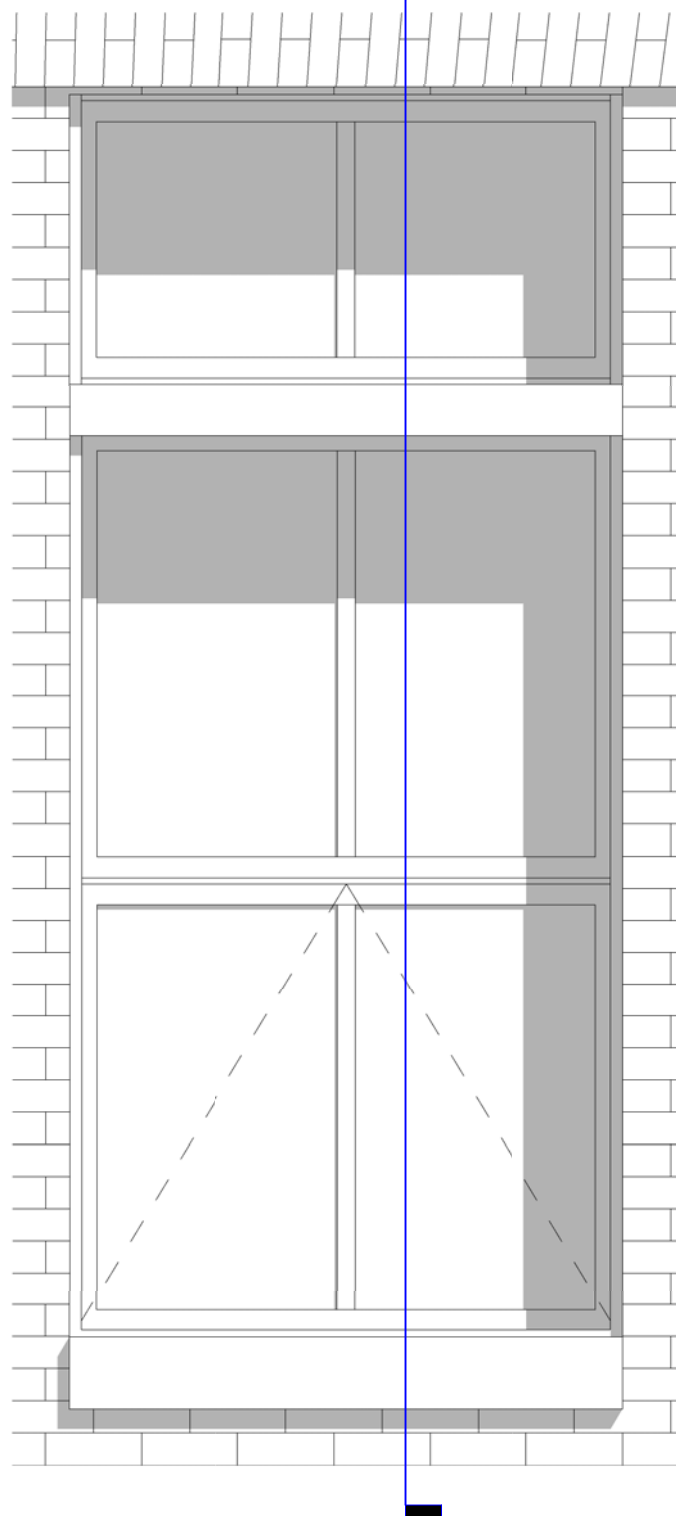


2 METAL GRILLE  
1/2" = 1'-0"

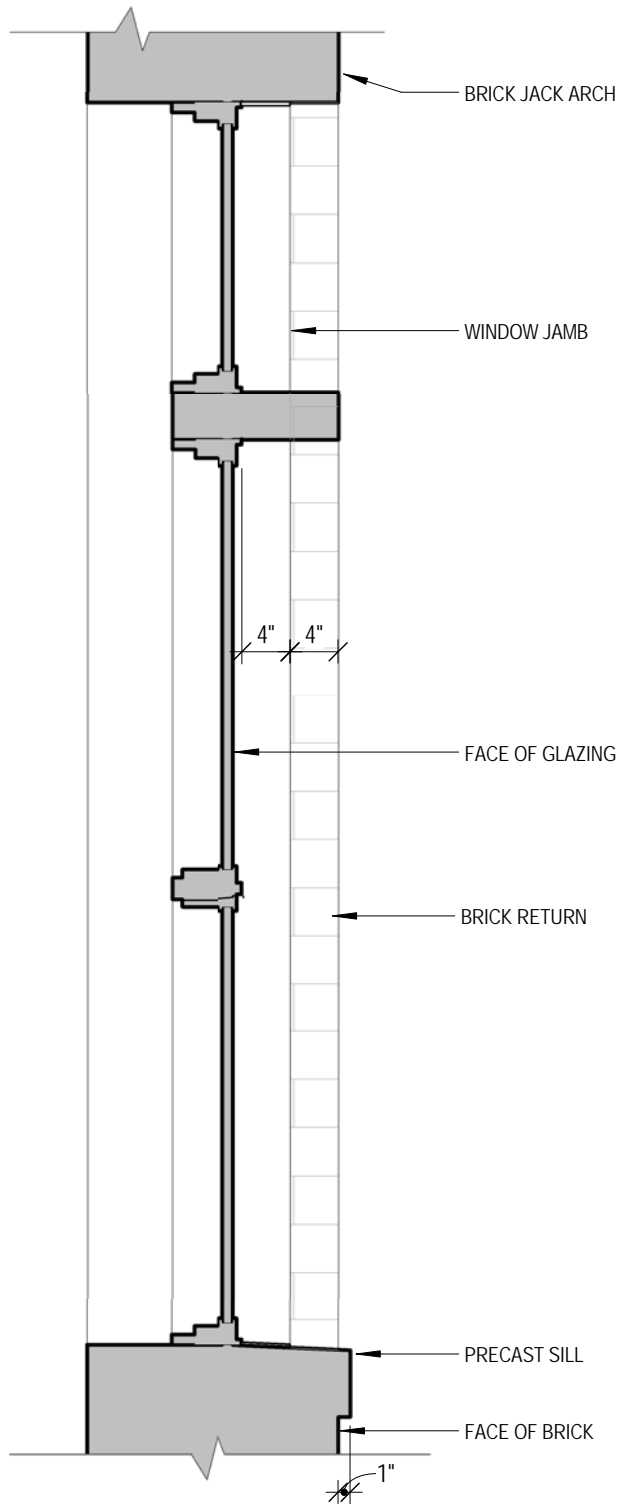


3 SECTION AT METAL GRILLE  
1/2" = 1'-0"

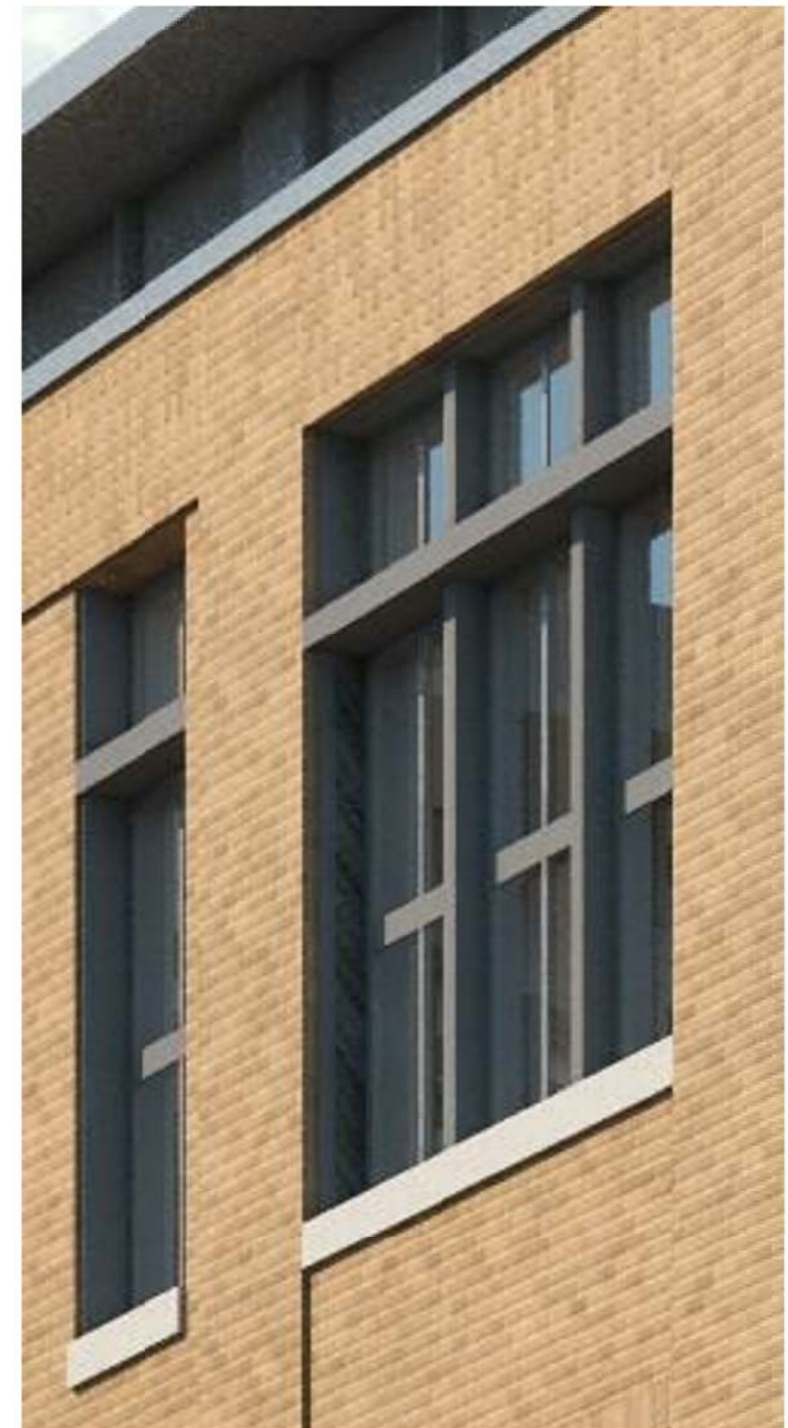
2  
4.1b



1 ELEVATION  
3/4" = 1'-0"

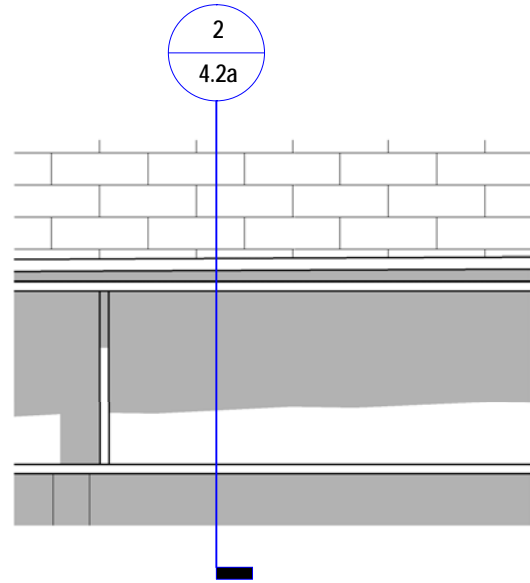


2 SECTION AT WINDOW- BRICK  
3/4" = 1'-0"

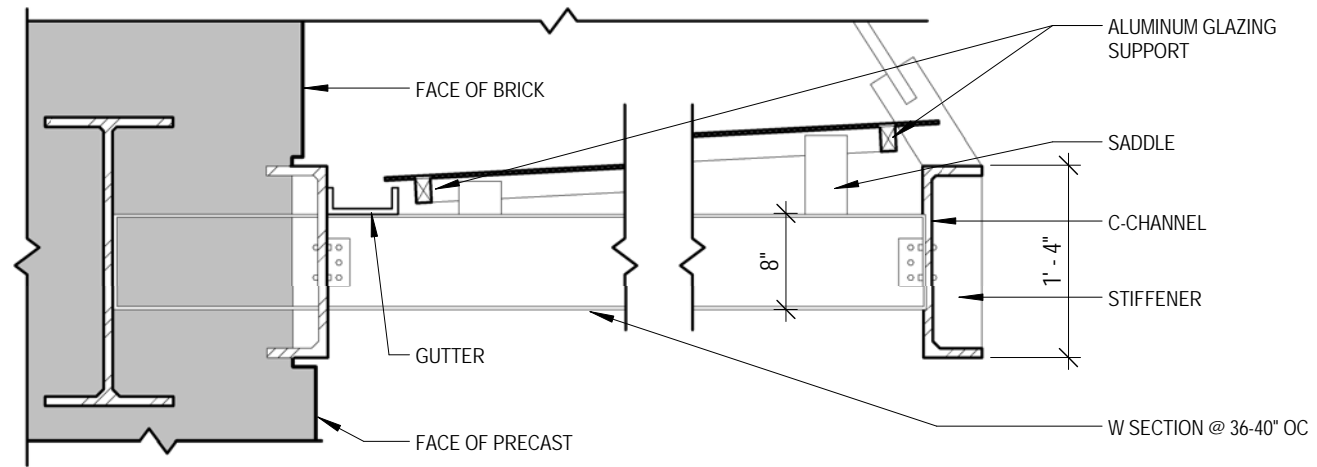


**4.1b** DETAILS - WINDOWS  
**Deer Street Lot 4**

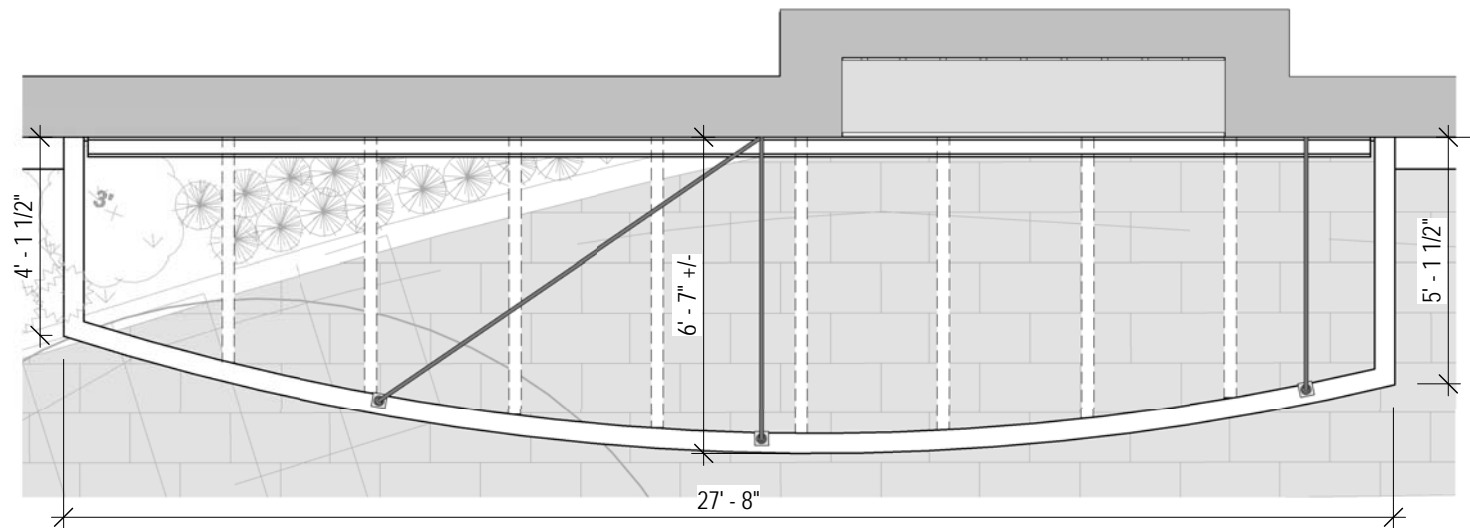
SCALE: 3/4" = 1'-0"  
12.06.17



**1** ELEVATION  
3/4" = 1'-0"



**2** SECTION DETAIL  
3/4" = 1'-0"

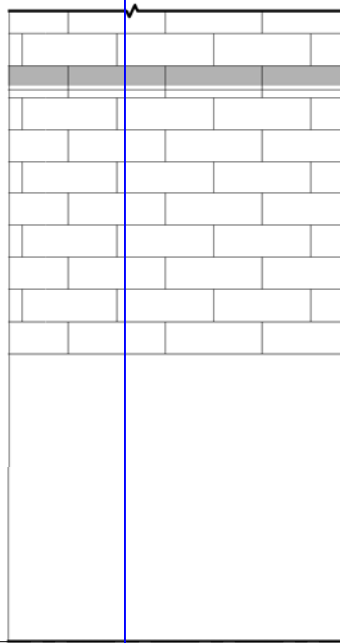
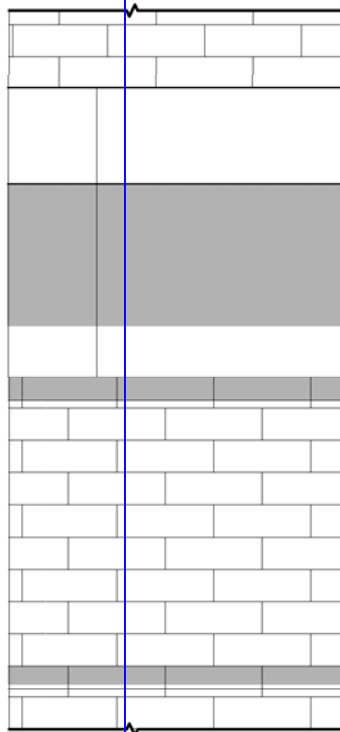


**3** ROOF PLAN  
1/4" = 1'-0"

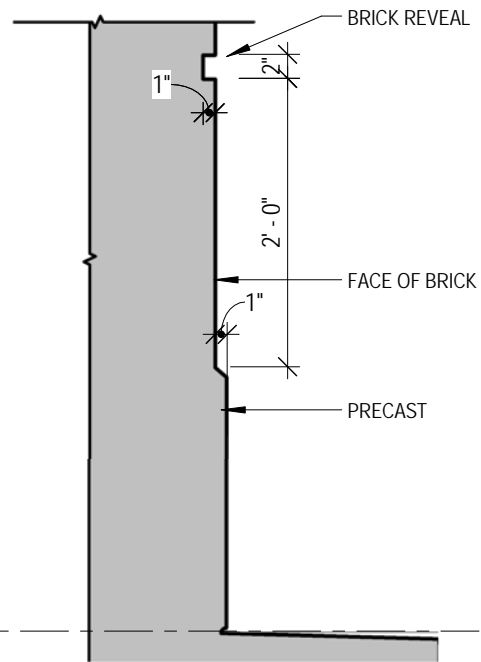
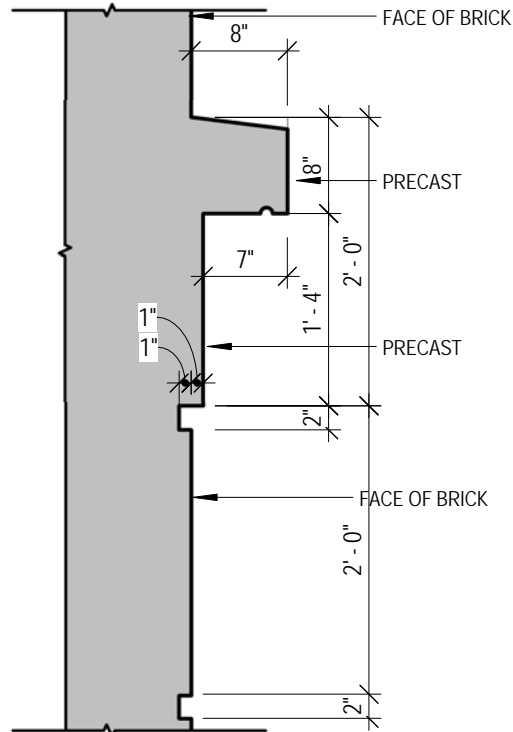




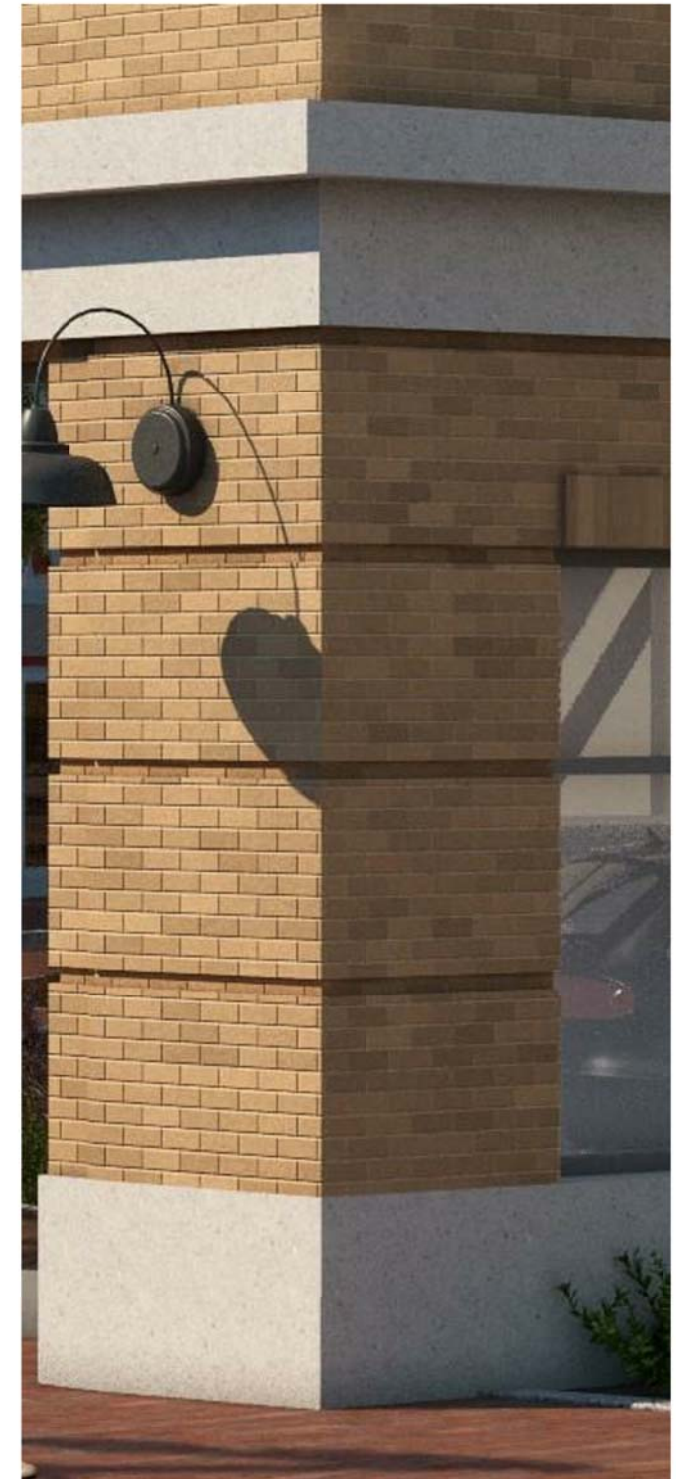
2  
4.2b



1 LOWER CORNICE ELEVATION  
3/4" = 1'-0"

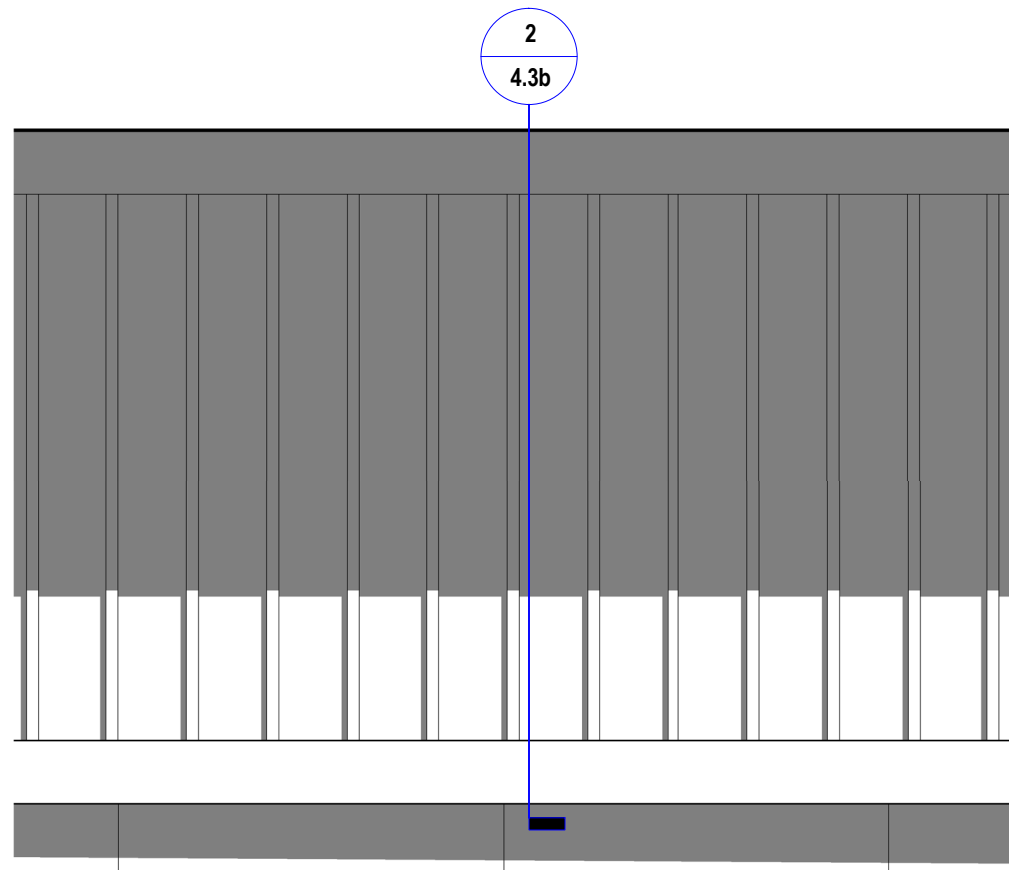


2 LOWER CORNICE AND MASONRY SECTION  
3/4" = 1'-0"

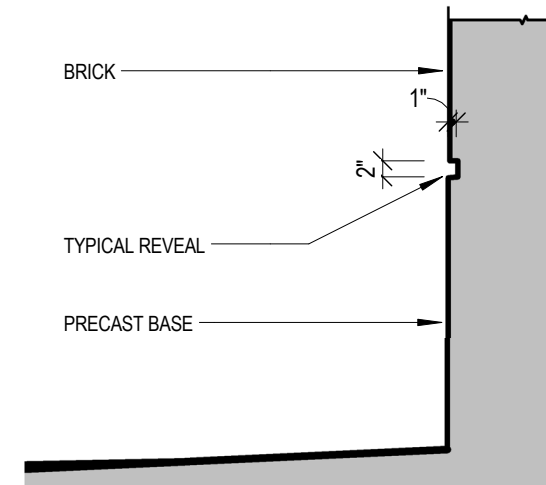
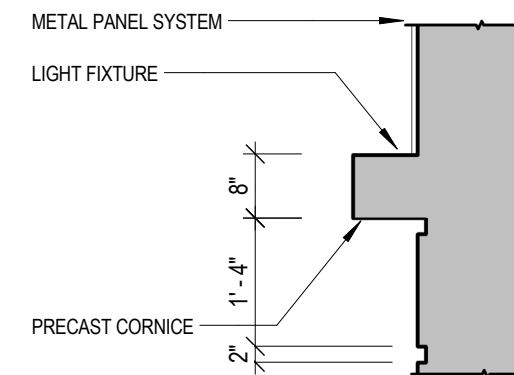
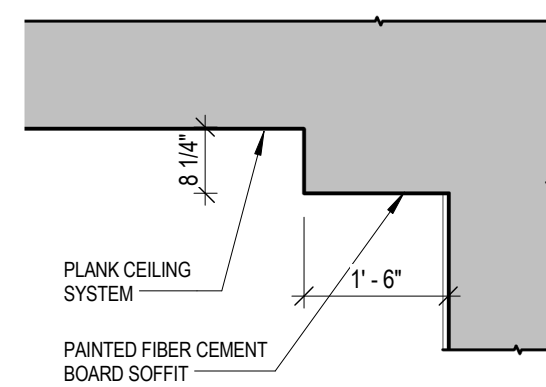


**4.2b** DETAILS - MASONRY BASE  
**Deer Street Lot 4**

SCALE: 3/4" = 1'-0"  
12.06.17



**1 SOFFIT ELEVATION**  
1/2" = 1'-0"



**2 SECTION AT GARAGE**  
1/2" = 1'-0"

**4.3b**

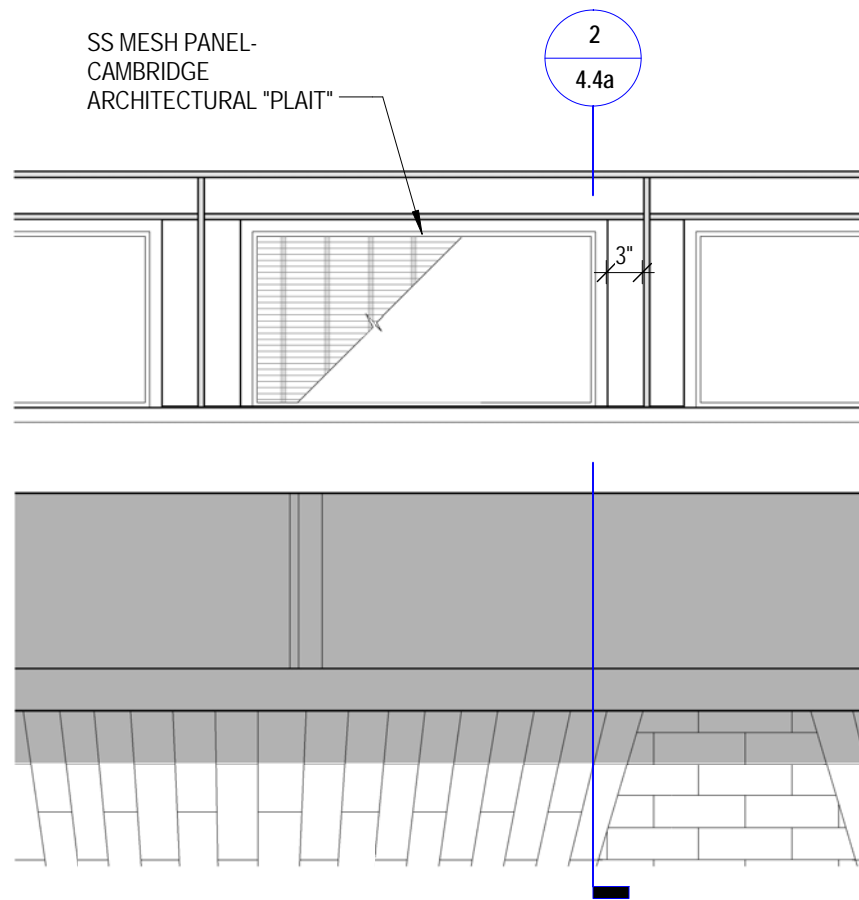
**DETAILS - LIGHT SHELF SOFFIT**

**Deer Street Lot 4**

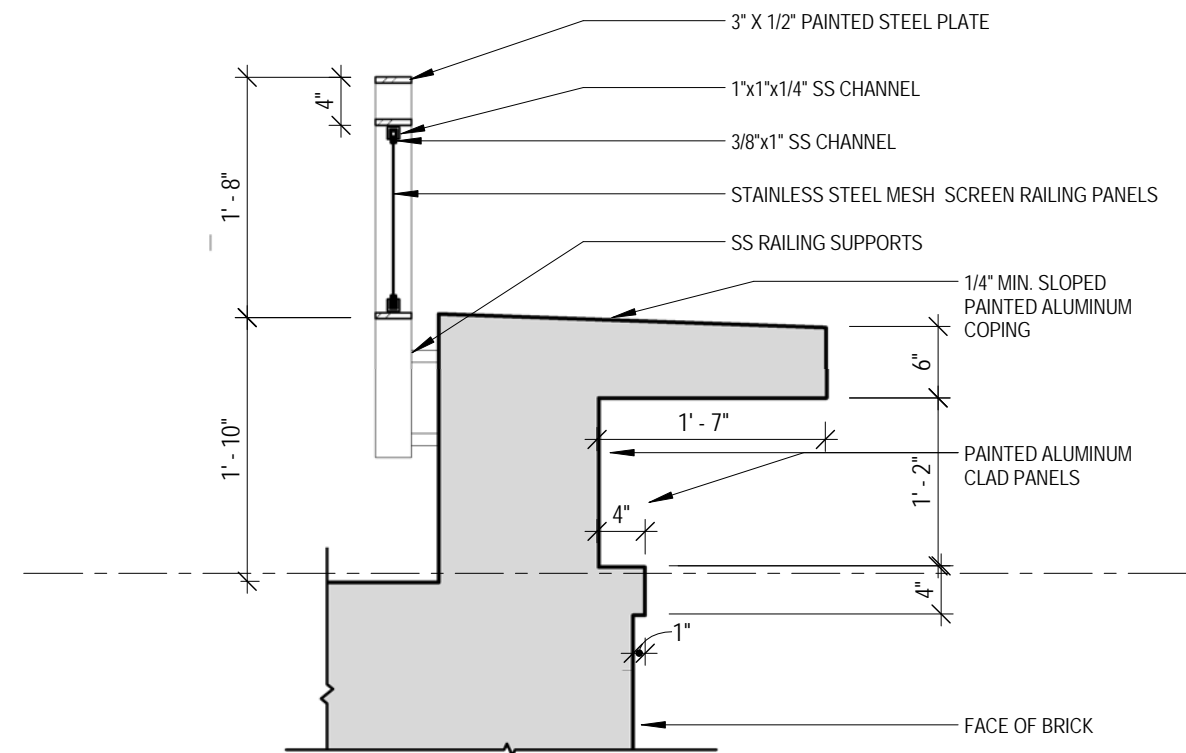
SCALE: 1/2" = 1'-0"  
12.06.17



ARCHITECTS  
INTERIORS  
PLANNERS



1 RAILING ELEVATION  
3/4" = 1'-0"



2 RAILING SECTION  
3/4" = 1'-0"





TANGRAM SDS

Key Note	Product	Manufacturer	Model/Make	Finish/Color
1	Brick	GlenGery	Burnt Almond	Flashed Ironspot
2	Precast architectural concrete	MGA	Cast Stone	Light Limestone
3	Zinc siding	VM Zinc	Standing seam	Quartz-zinc
4	Aluminum coping	Pac-Clad	Kynar coating	zinc
5	Windows – aluminum clad wood	Pella	Architect Series Contemporary	Eldridge Gray
5	Windows – aluminum clad wood (option)	Kolbe	Vista Luxe	Slate
6	Folding glass door panels	Nanawall	SL80 Narrow Stile	platinum
7	Railing system – metal mesh	Cambridge Architectural	Braid	Stainless Steel
8	metal grille	custom	custom	black coating
9	Metal gate	custom	custom	black coating
10	Bracket – painted aluminum	custom	custom	
11	Light fixture	TMS Lighting	China IP55	CHW0016
12	Canopy	custom	painted steel & frosted glass	
	Mortar	GlenGery		G-302
	Ceiling (drive-through) - linear aluminum	Longboard	6" V-Grouve	
	Swing Door – Glass with aluminum frame	EFCO		annodized
	Swing Door – aluminum panel	EFCO		annodized
	Metal fence with hedge plantings		woven chain link	black coating

4.4b

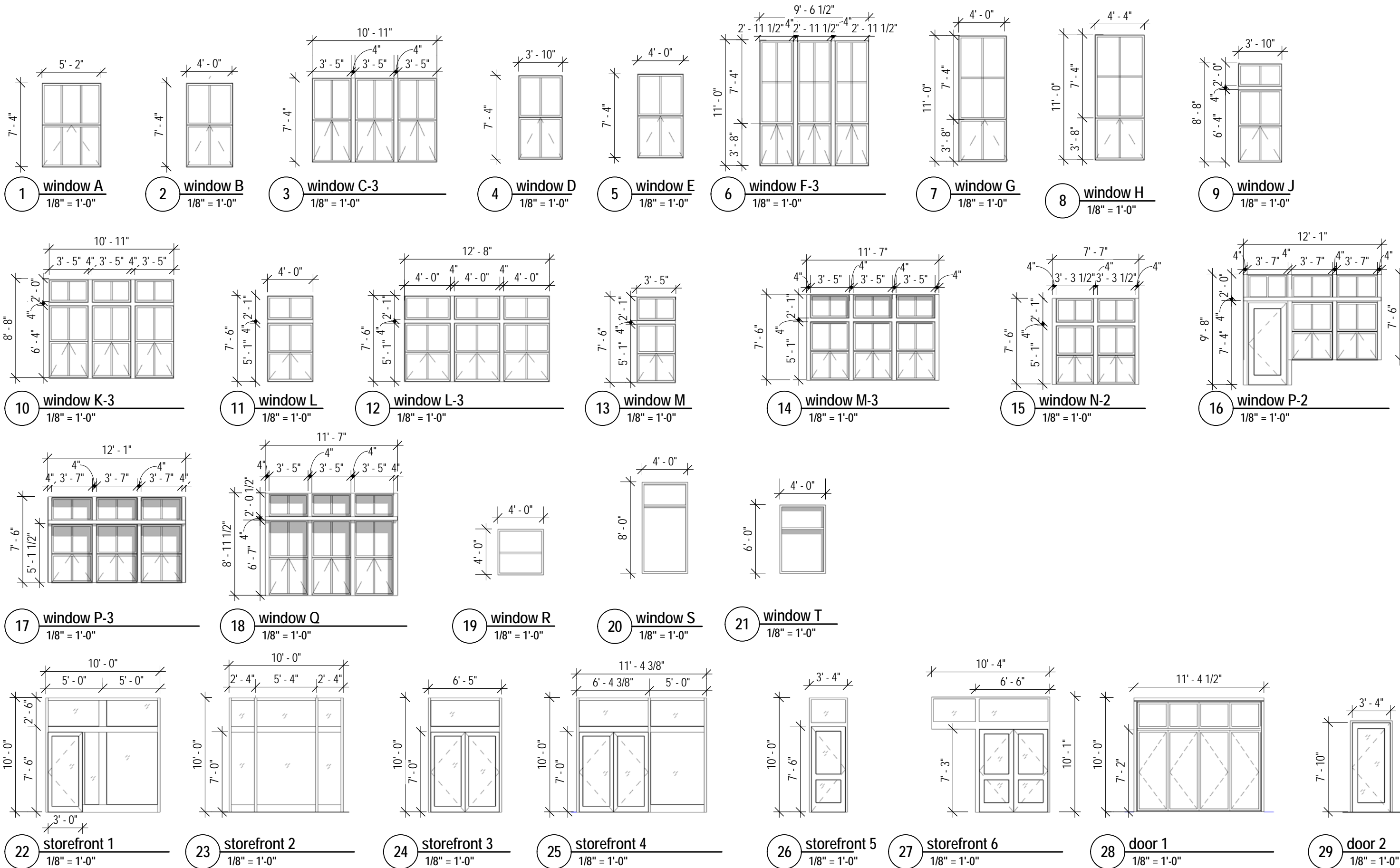
## MATERIAL SCHEDULE

### Deer Street Lot 4

SCALE:  
12.06.17

**JSA**

ARCHITECTS  
INTERIORS  
PLANNERS




**4.4c WINDOW & DOOR TYPES**

# MATERIALS PRODUCT DATA

## PUBLIC HEARING - FEBRUARY 2018

### INDEX

1. BRICK MASONRY
2. ARCHITECTURAL PRECAST CONCRETE
3. ZINC SIDING
4. ALUMINUM COPING
5. WINDOWS
6. OPERABLE WINDOW-WALLS
7. METAL MESH RAILINGS
8. LIGHTING
9. METAL SOFFIT
10. STOREFRONT SYSTEM
11. FENCE & PLANTINGS

	Project:	157-163 DEER ST: Lot 4 - Deer Street Assoc.	Project No:	837.04	Reference Drawing
	Title:	MATERIALS PRODUCT DATA		Scale:	Reference:
	www.jsainc.com	273 Corporate Drive T 603.436.2551	Portsmouth, NH 03801 F 603.436.6973	Drawn By	Sketch No:
	Portsmouth	Jacksonville	Date:	1-16-2018	



Royal River Narrow Flash Range, NB



- [HOME](#)
- [ABOUT](#)
- [PROJECTS](#)
- [PRODUCTS](#)
- [SERVICES](#)
- [TESTIMONIALS](#)
- [RESOURCES](#)
- [COLUMBARIUMS](#)
- [CONTACT](#)



## ARCHITECTURAL PRECAST & CAST STONE



### Our Products - Architectural Precast Concrete and Cast Stone

MGA Cast Stone produces a variety of products for your architectural needs. Products produced daily include:

- Sills
- Lintels
- Wall panels
- Watertable
- Pilasters
- Columns
- Capitals
- Cornice
- Entablatures
- Arches
- Caps
- Signs and lettering
- Accent banding
- Restoration projects
- Custom projects of varying size and dimensions



#### Finishes:

Our standard finish is an etched finish. A blasted finished can be chosen at request.

#### Our standard set of colors are:

Dove Grey, White, Light Buff, Limestone, Dark Buff, Pewter, Cream, Light Limestone, and Coral.

Granitex Line - This is our line of precast designed to simulate granite.

#### Our Premium Granitex Colors are:

Cumberland White, Camden Gray, Hampden Pewter

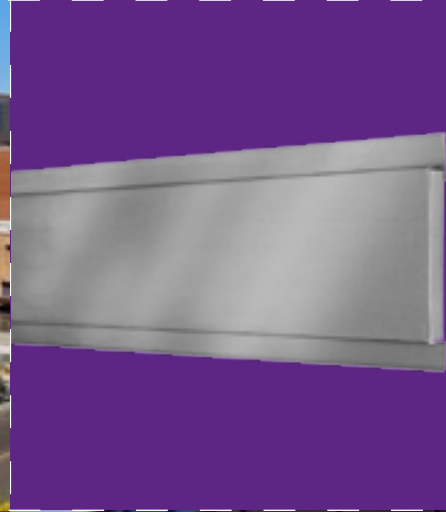
We provided custom color match for any job at your request!





Edition  
15

# Catalog



ASTM TESTED  
HORIZONTAL & VERTICAL  
CONCEALED FASTENERS



**Material Colors**



Vertical, horizontal and diagonal installation.

**1" VMZ SINGLE LOCK STANDING SEAM WALL PANEL**

**Maximum Dimensions**

Horizontal Orientation

20' - 0"

Vertical Orientation

15' - 0"

**On Center**

16 7/8"

**Seam**

1"

**Radius**

Convex                      Concave

R1 48" pre-fab    130' field

R1 30' pre-fab    130' field

R2 10' field        10' field

**Panels per Crate**

40

**Coverage**

Per LF of Installed Panel

1.4 ft<sup>2</sup>

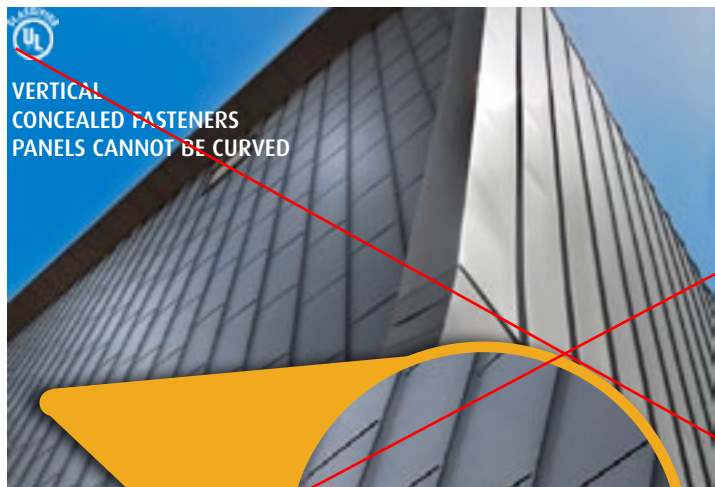
**Thickness**

.8mm

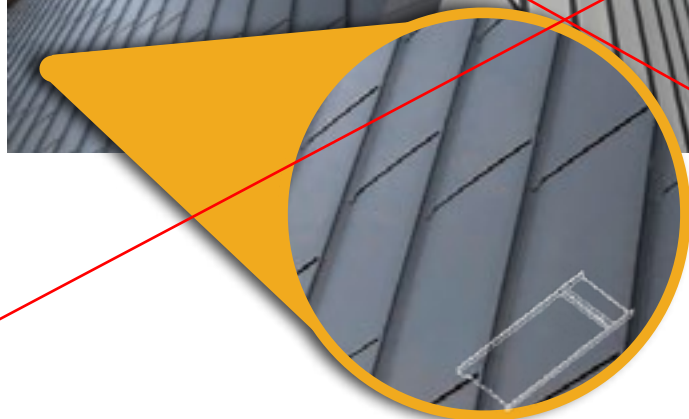
**Weight per ft<sup>2</sup> installed**

1.38 lb for 16 7/8" OC Panels

\*Also available with blank rib stiffener.



VERTICAL  
CONCEALED FASTENERS  
PANELS CANNOT BE CURVED



**Material Colors**



Quick installation. Out of the box system.  
An economical alternative to standing seam.

**VMZ DEXTER® WALL PANEL**

**Dimensions**

On Center

32 7/8" L x 15 3/4" W

**Seam**

1 1/2"

**Panels per Box**

6

**Coverage**

Per Installed Panel

3.59 ft<sup>2</sup>

Per Box for Installed Panels

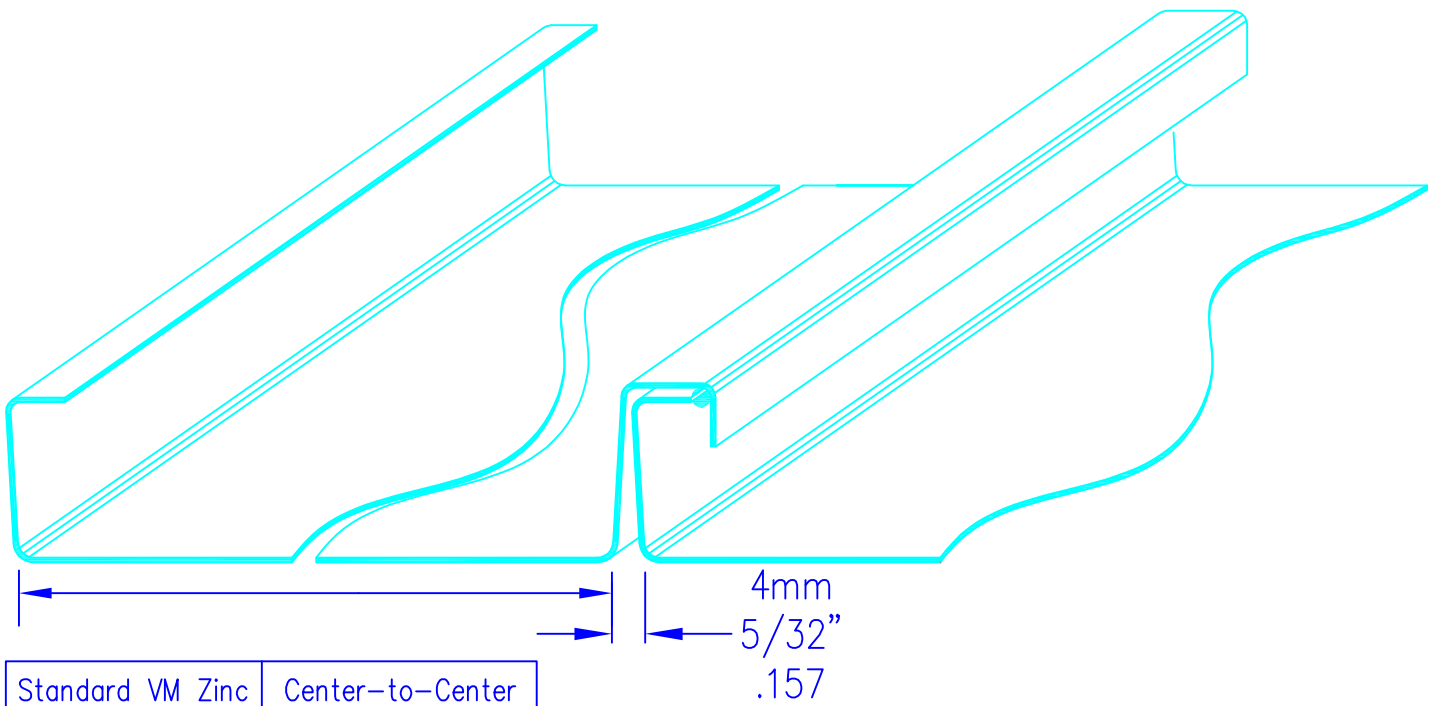
21.5 ft<sup>2</sup>

**Thickness**

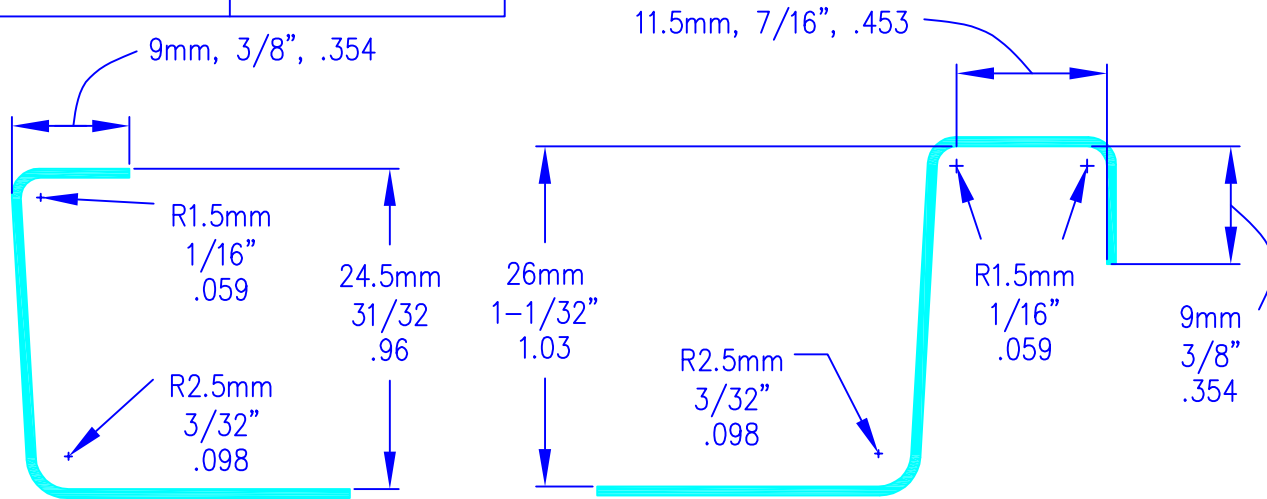
.7mm

**Weight per ft<sup>2</sup> installed**

1.55 lb



Standard VM Zinc Coil Width	Center-to-Center Distance
500mm 19-11/16" 19.7	428.5mm 16-7/8" 16.9



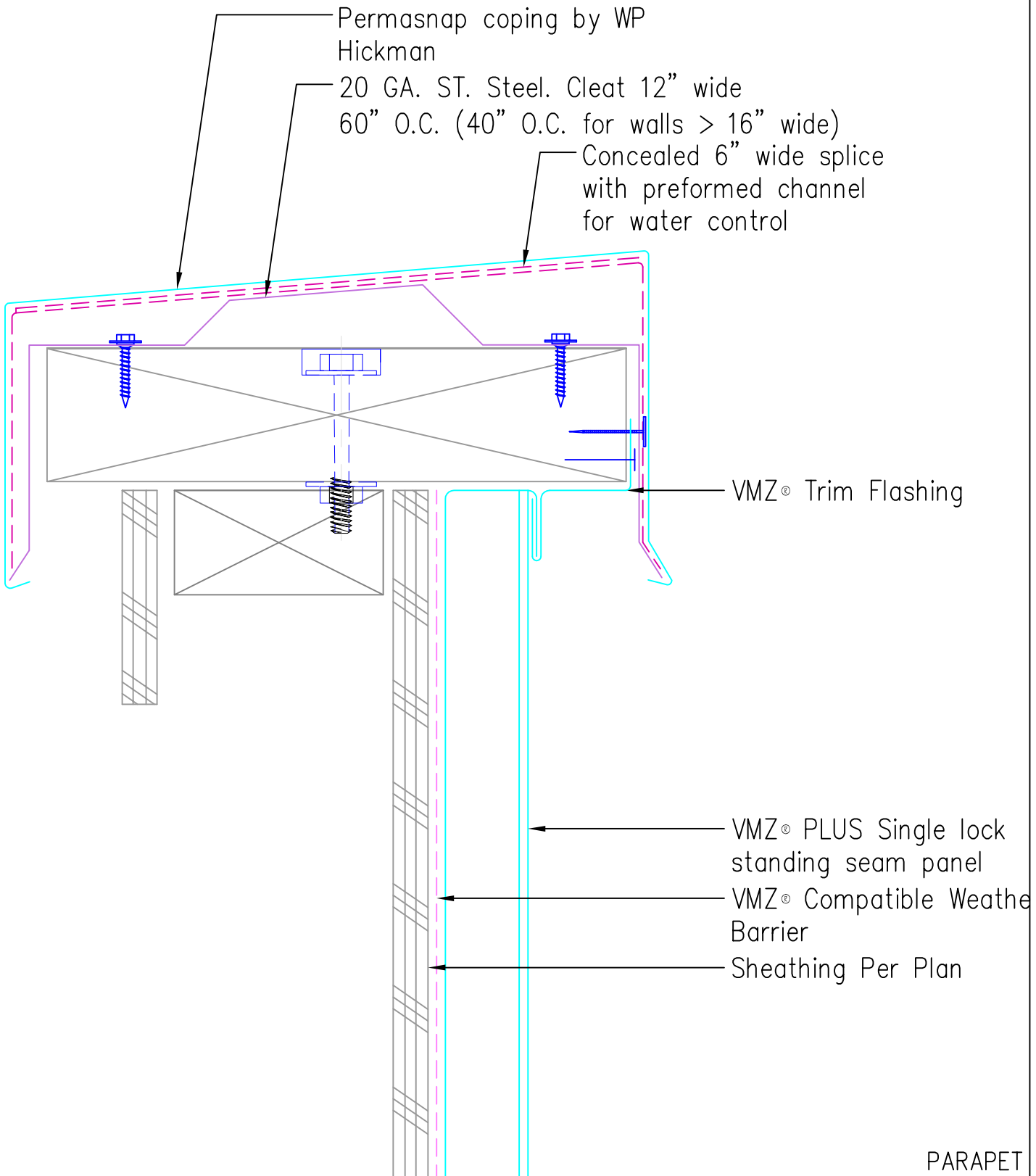
PANEL PROFILE



Umicore Building Products USA, Inc.  
3600 Glenwood Ave - Suite 250  
Raleigh, NC 27612  
(919) 874-7173 O.  
(919) 874-7140 F.

Scale: NTS  
Date: 03/13/2012  
Drawn By: LDL  
For general information e-mail: info@vmzinc-us.com

SYSTEM: SLSS - V  
DRAWING: 2000



PARAPET



Umicore Building Products USA, Inc.  
3600 Glenwood Ave - Suite 250  
Raleigh, NC 27612  
(919) 874-7173 O.  
(919) 874-7140 F.

Scale: 6" = 1' - 0"

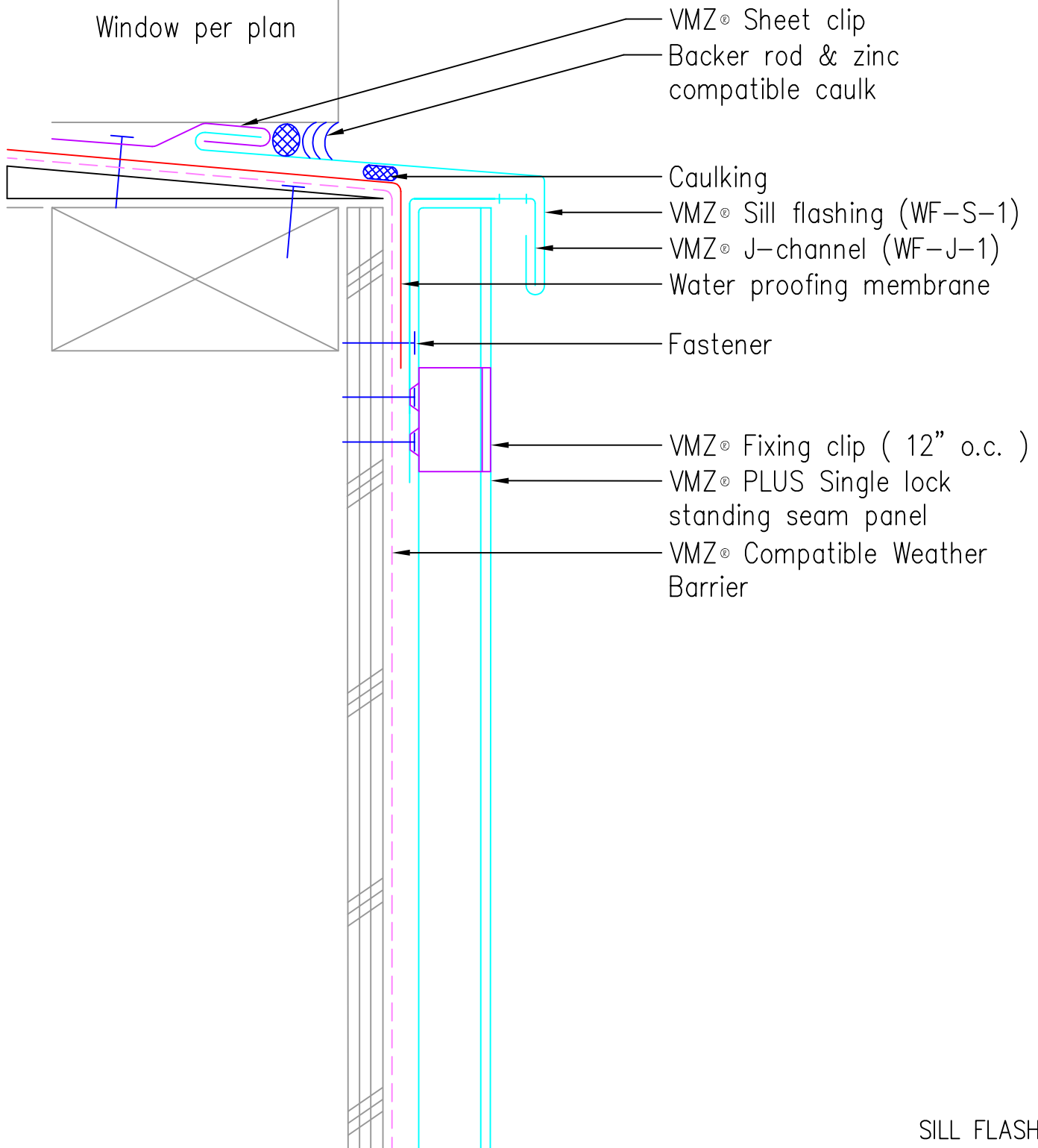
Date: 03/13/2012

Drawn By: LDL

For general information e-mail: info@vmzinc-us.com

SYSTEM: SLSS - V

DRAWING: 2100



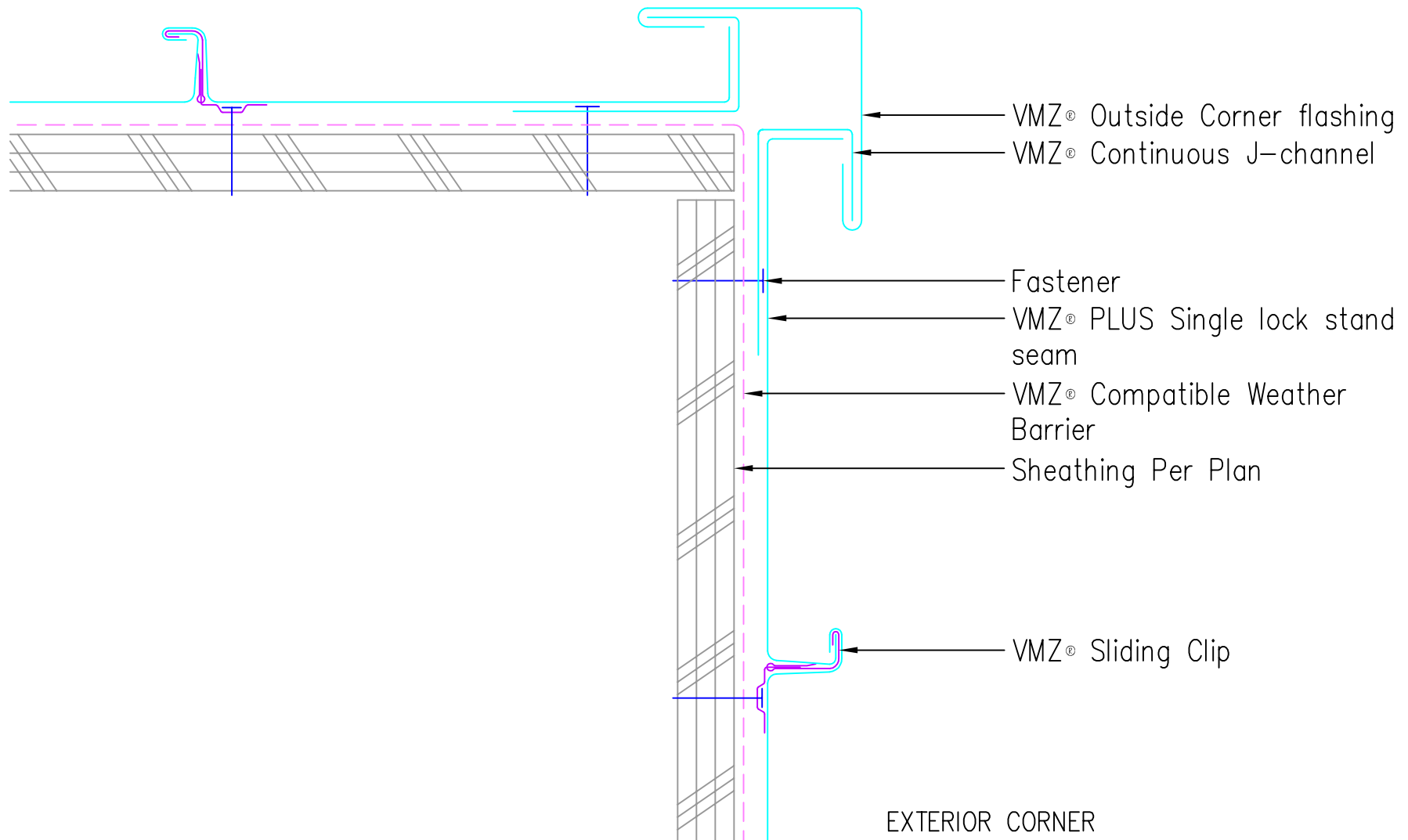
SILL FLASHING



Umicore Building Products USA, Inc.  
 3600 Glenwood Ave - Suite 250  
 Raleigh, NC 27612  
 (919) 874-7173 O.  
 (919) 874-7140 F.

Scale: 6" = 1' - 0"  
 Date: 03/13/2012  
 Drawn By: LDL  
 For general information e-mail: info@vmzinc-us.com

SYSTEM: SLSS - V  
 DRAWING: 2220



Umicore Building Products USA, Inc.  
 3600 Glenwood Ave - Suite 250  
 Raleigh, NC 27612  
 (919) 874-7173 O.  
 (919) 874-7140 F.

Scale:  
 6" = 1' - 0"

Date:  
 03/13/2012

Drawn By:  
 LDL

For general information e-mail:  
 info@vmzinc-us.com

SYSTEM:  
 SLSS - V

DRAWING:  
 2500



**PAC-CLAD®**

P E T E R S E N

## Architectural Metal



Custom Fabrication, Curtainwall,  
Storefront and Wall Applications

# CUSTOM FABRICATION



Understanding that it's all in the details is how Petersen provides custom fabrication that meets the most exacting requirements. With state-of-the-art technology and insightful expertise, Petersen ensures unmatched quality and service from coil to finished part to complete even the most demanding project.

Petersen's goal is simple: Provide precision-made parts to closely held tolerances to meet all of a customer's expectations. With the most advanced CNC shearing and bending equipment combined with more than 50 years of industry experience, Petersen offers superior innovation and flexibility for producing a wide range of custom architectural components.

## FABRICATION CAPABILITIES

- ▶ Ideal for curtain wall, glass and glazing industries
- ▶ Precision shearing to meet exact dimensions
- ▶ Can produce parts up to 20' long
- ▶ Custom radius and bull nose parts
- ▶ Available in custom heavy or light gauge parts:
  - Galvanized steel from 16 to 26 gauge
  - Copper in 16 oz. and 20 oz.
- ▶ Able to achieve custom-designed panels as well as simple angles

## FINISHING CAPABILITIES

- ▶ Spray-applied, non-standard or custom colors available in Kynar 500 formulation
- ▶ Exterior grade and Class I architectural anodized finishes available





# PAC-CLAD® COLOR CHART

## TRIM

PAC-CLAD products are available in prime quality aluminum (.032 - .063), 24 gauge G-90 galvanized steel and 22 gauge Galvalume steel, finished with a PAC-CLAD 70% full PVDF (Kynar) finish (top side), with a washcoat (bottom side). Other metals available include copper, bare galvanized steel, Galvalume Plus and anodized aluminum.

A strippable vinyl film can be applied to coil, flat sheet or fabricated parts, for protection during fabrication and installation, if desired. Vinyl masking is recommended on all applications where extra handling is expected. NOTE: The strippable film must be removed immediately after installation.

## FINISH WARRANTY

Life expectancy is 30-years plus on 70% full PVDF-finished materials. A 30-year, non-prorated warranty covering color fade, chalking and film integrity is available at no extra charge. Warranty terms vary slightly for Cardinal Red, Award Blue and embossed finishes.

## PAC-CLAD METALLICS

Petersen can supply metallic finishes with the economy of a one-pass, two-coat system at a moderate additional cost. These colors are ideal for curtainwall and roofing applications. A PAC-CLAD Metallic 30-year, non-prorated finish warranty applies; proper orientation required. This is a directional finish.

## OUR COMMITMENT TO SUSTAINABILITY

PAC-CLAD products provide not only unmatched aesthetics and performance, but also an element of sustainability to any project. Where possible, our products include a high percentage of recycled material, which lowers the environmental footprint. Additionally, our products offer a long life span, and at the end of their extended service life, are 100% recyclable which may reduce the solid waste stream to landfills.

Petersen also offers the industry's widest range of color selections, most of which feature outstanding SRI (Solar Reflectance Index) values for improved cooling and energy savings performance. To meet this demand for sustainable and energy-efficient products, PAC-CLAD offers 29 finishes that are listed with the Cool Roof Ratings Council, and 32 colors that are Energy Star®-approved. In addition, 22 PAC-CLAD finishes have an SRI of 29 or higher for steep slope roofs, to allow a building to qualify for credits in the U.S. Green Building Council's Leadership in Energy and Environmental Design (LEED) Green Building Rating System. Refer to our green website – [pacgreeninfo.com](http://pacgreeninfo.com) – for the most current information on sustainable cool metal roofing.

valspar

Petersen Aluminum has been a proud partner with Valspar since 1972

### STANDARD COLORS



\* Denotes PAC-CLAD Cool Color

### PREMIUM COLORS



This color chart is not an exact representation of PAC-CLAD actual colors. Color charts and sample chips are available on request at no charge.

# VistaLuxe® Collection

The VistaLuxe Collection was collaboratively developed with architects for designs that utilize clean lines and multiple units to create large expanses of glass. The extruded aluminum exterior provides low-maintenance durability, while the wood interior proves that minimalist design can feel warm and organic.

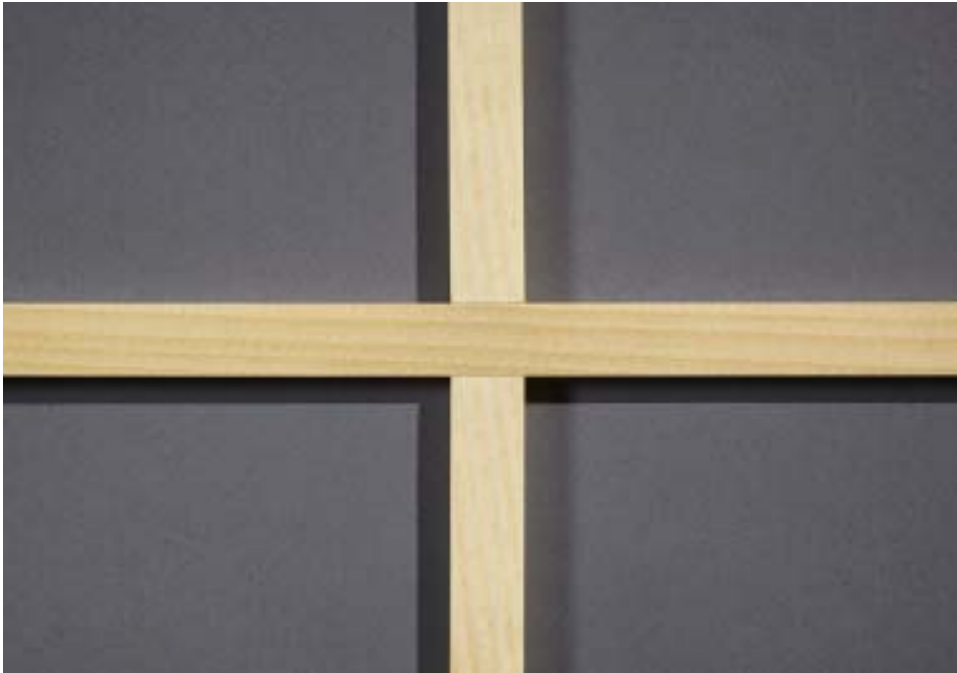
KOLBE WINDOWS

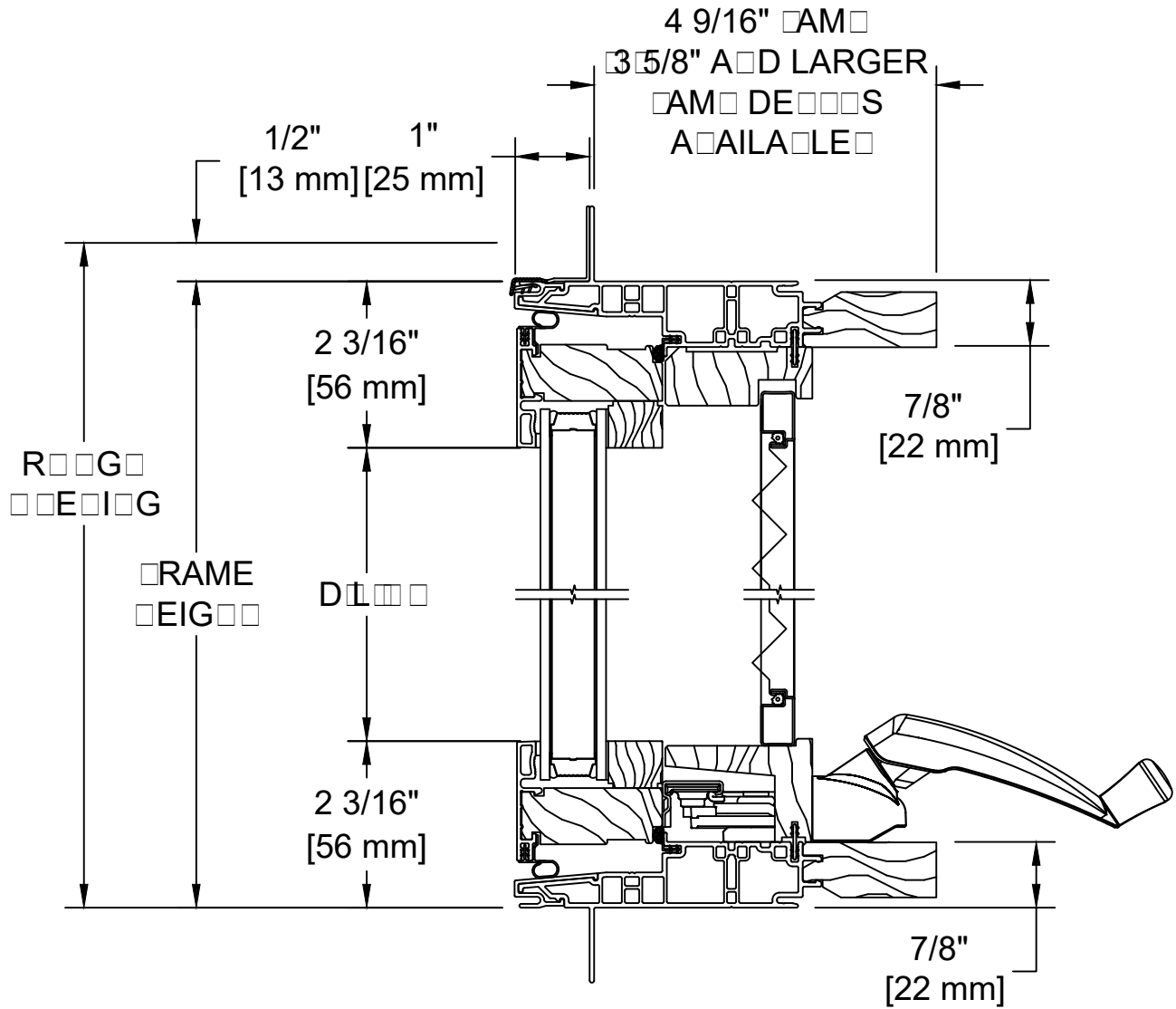


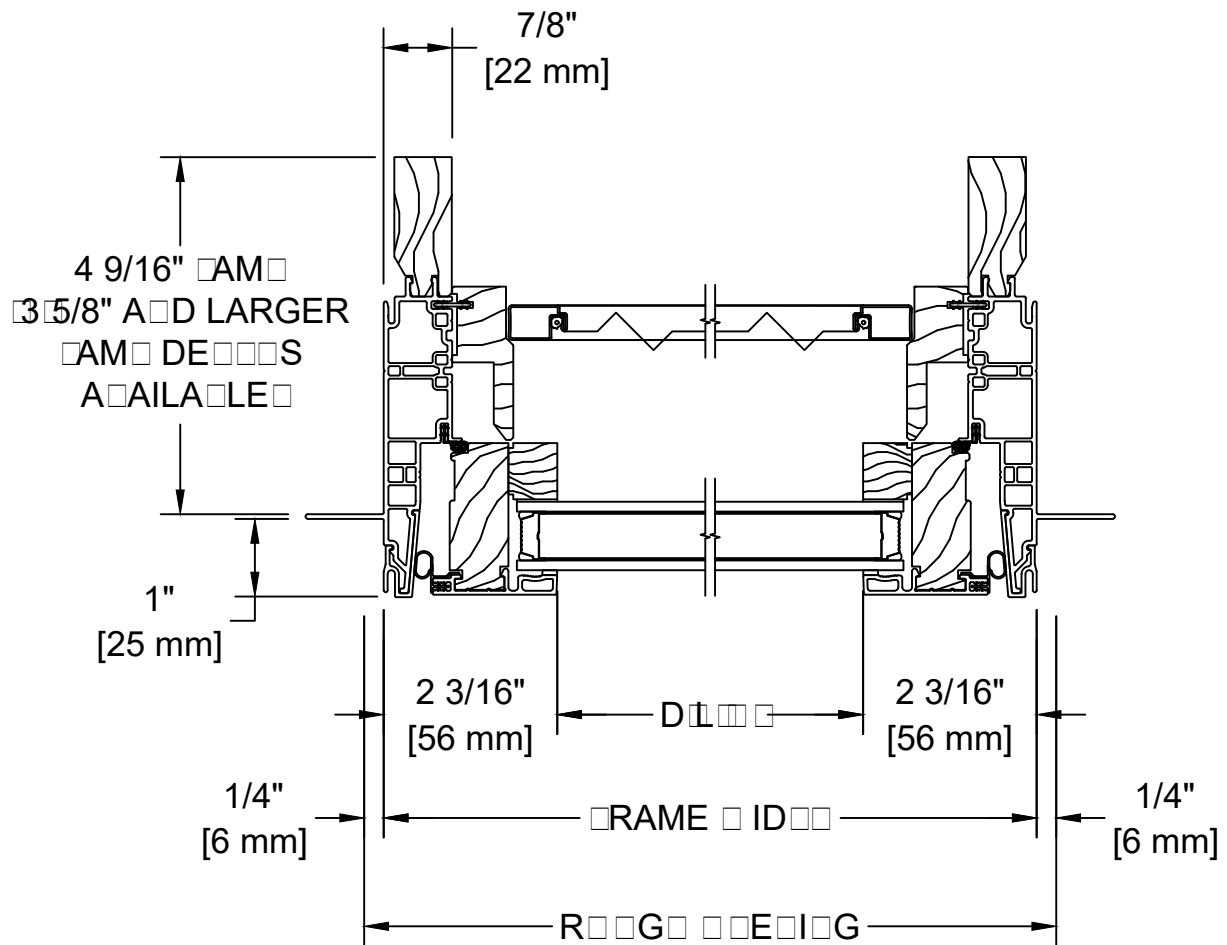
Kolbe - VistaLuxe

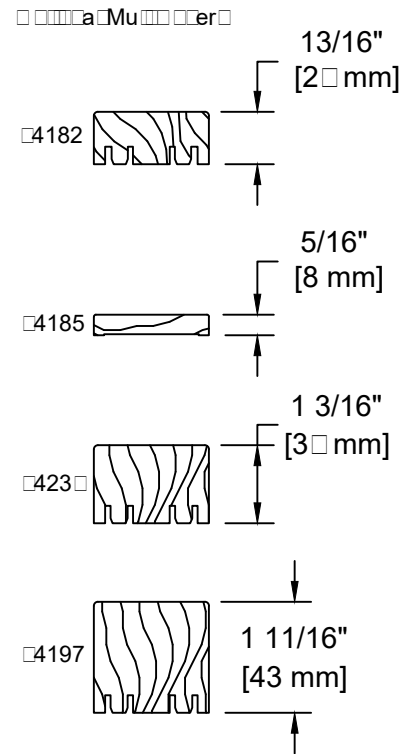
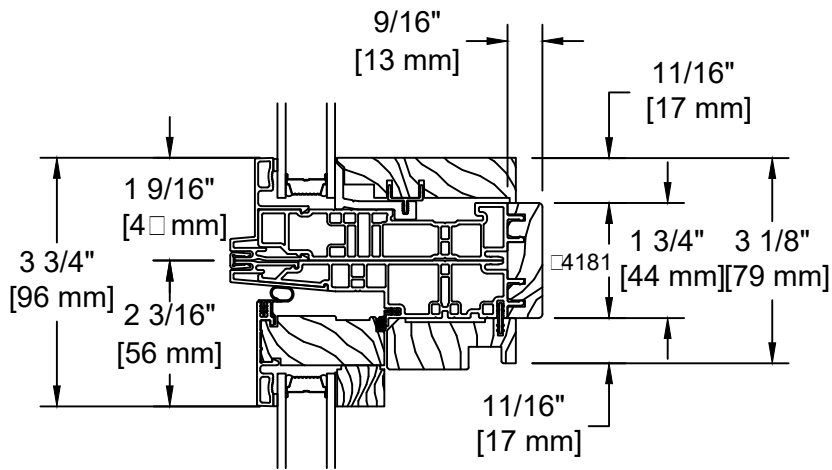


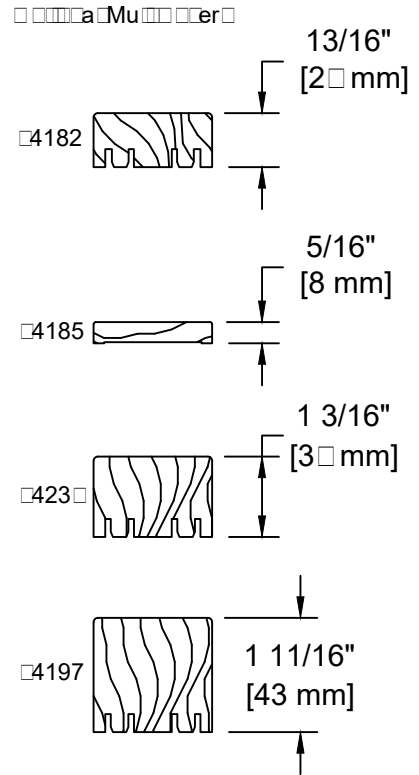
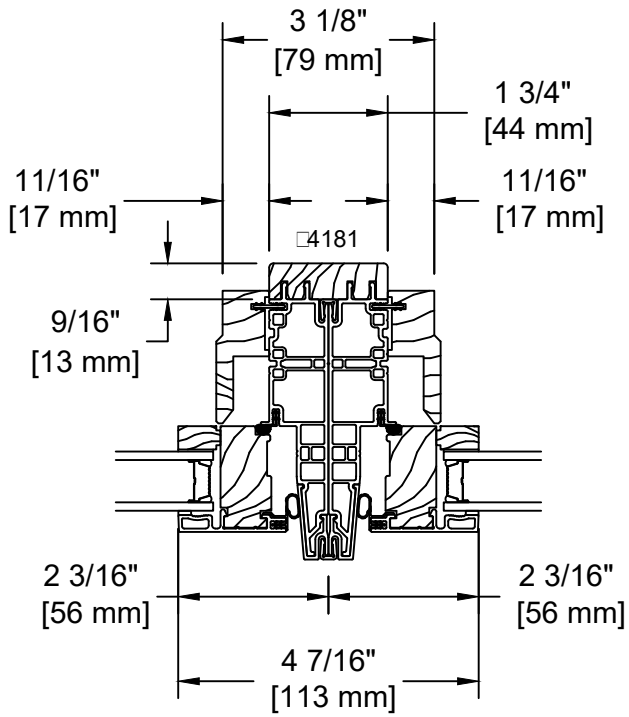
Kolbe - VistaLuxe





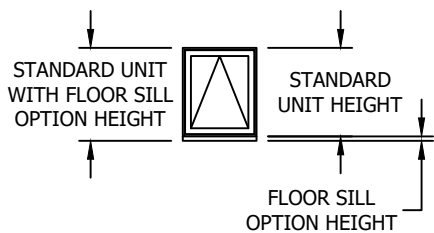






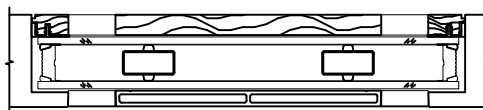
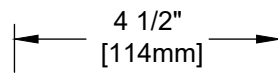
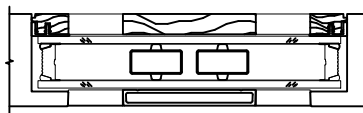
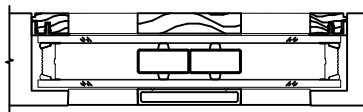
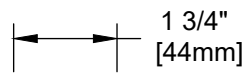
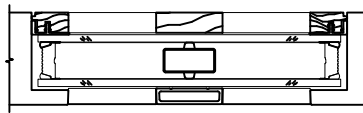
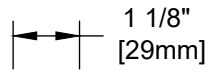
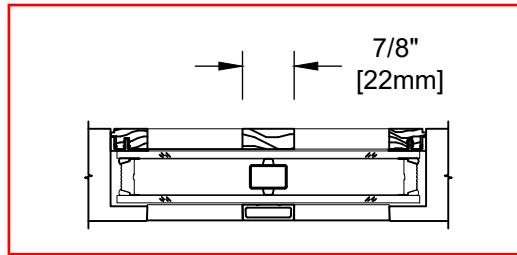
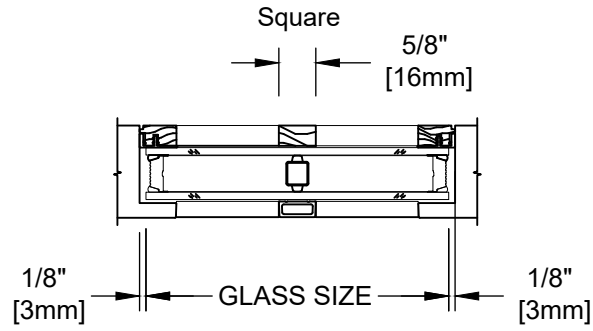


F.S.	1'-8"	2'-0"	2'-4"	2'-6"	2'-8"	3'-0"	3'-6"
R.O.	1'-8 1/2"	2'-0 1/2"	2'-4 1/2"	2'-6 1/2"	2'-8 1/2"	3'-0 1/2"	3'-6 1/2"
S.O.	1'-7 1/16"	1'-11 1/16"	2'-3 1/16"	2'-5 1/16"	2'-7 1/16"	2'-11 1/16"	3'-5 1/16"
G.S.	16 9/16"	20 9/16"	24 9/16"	26 9/16"	28 9/16"	32 9/16"	38 9/16"
1'-4" 1'-4 1/2" 1'-3 1/16" 12 9/16"							
1'-8" 1'-8 1/2" 1'-7 1/16" 16 9/16"							
2'-0" 2'-0 1/2" 1'-11 1/16" 20 9/16"							
2'-6" 2'-6 1/2" 2'-5 1/16" 26 9/16"							
3'-0" 3'-0 1/2" 2'-11 1/16" 32 9/16"							
3'-6" 3'-6 1/2" 3'-5 1/16" 38 9/16"							
4'-0" 4'-0 1/2" 3'-11 1/16" 44 9/16"							
4'-6" 4'-6 1/2" 4'-5 1/16" 50 9/16"							
5'-0" 5'-0 1/2" 4'-11 1/16" 56 9/16"							



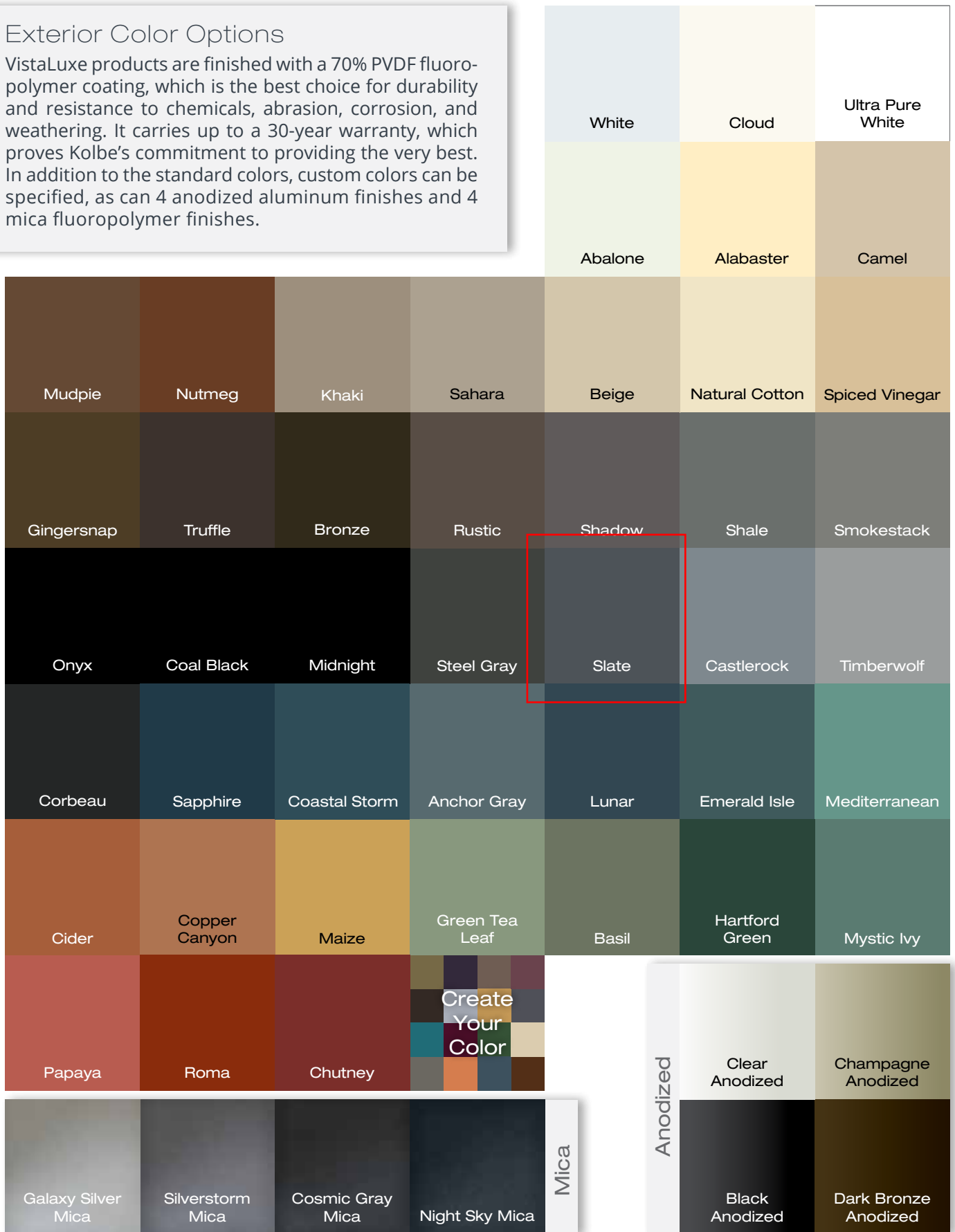
WHEN FLOOR SILL OPTION IS SELECTED, OVERALL FRAME HEIGHT AND ROUGH OPENING WILL INCREASE BY;

- OUTSWING DOOR SILL - 1 3/16"
- INSWING DOOR SILL - 4 9/16" JAMB (1 5/32")
- INSWING DOOR SILL - 5 9/16" JAMB (1 1/16")
- INSWING DOOR SILL - 6 9/16" JAMB (3 1/32")



## Exterior Color Options

VistaLuxe products are finished with a 70% PVDF fluoropolymer coating, which is the best choice for durability and resistance to chemicals, abrasion, corrosion, and weathering. It carries up to a 30-year warranty, which proves Kolbe's commitment to providing the very best. In addition to the standard colors, custom colors can be specified, as can 4 anodized aluminum finishes and 4 mica fluoropolymer finishes.



Printed images of exterior finishes may vary slightly from actual colors. Selections should be made based on actual color samples available from your Kolbe dealer. There is a "color range" with anodized colors. That is, there is an acceptable "light" to "dark" color range that can be experienced on any job. According to AAMA 611-98 specifications, Section 8.3, the range may be up to 5 Delta E's. We can provide from our anodized vendor color samples of this color range if requested. The color range is due to numerous variables which include (but are not limited to) the shape of the parts, alloy variations and time in the anodizing process. This could mean that a sash part may appear slightly different in color than a frame part. This is/will be acceptable. Even the samples that may be provided may vary from the final product due to the variables. You must be aware of this as this will be considered acceptable.



# PELLA<sup>®</sup>

## Architect Series<sup>®</sup>

TRADITIONAL AND CONTEMPORARY  
WOOD WINDOWS AND PATIO DOORS



CONTEMPORARY

# Ultimate views.



CONTEMPORARY

### Seals tight and locks easily.

Architect Series® casement windows feature the SureLock® System that reaches out to pull the window sash against the weatherstripping to form a tight seal against drafts, making them more energy-efficient. Plus, Pella's patented Unison Lock System secures casement and awning windows in two places with a single, easy-to-reach handle.

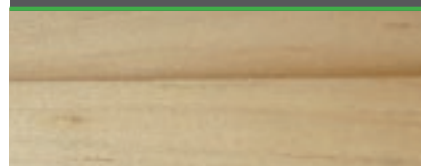


### Lasting beauty.

EnduraGuard® wood protection offers advanced protection against the effects of moisture, decay, stains from mold and mildew – as well as termite damage. This proven immersion-treatment method will help ensure that Pella® wood windows and patio doors look and perform beautifully for years.



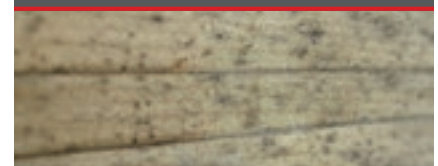
Pella EnduraGuard wood protection.



Pella's casement window after 7 months of exposure to moisture.\*



Competitor's pressure-treated wood.



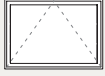
Stain mold present after 7 months of field-testing a competitor's pressure-treated wood.\*



### The confidence of added protection.

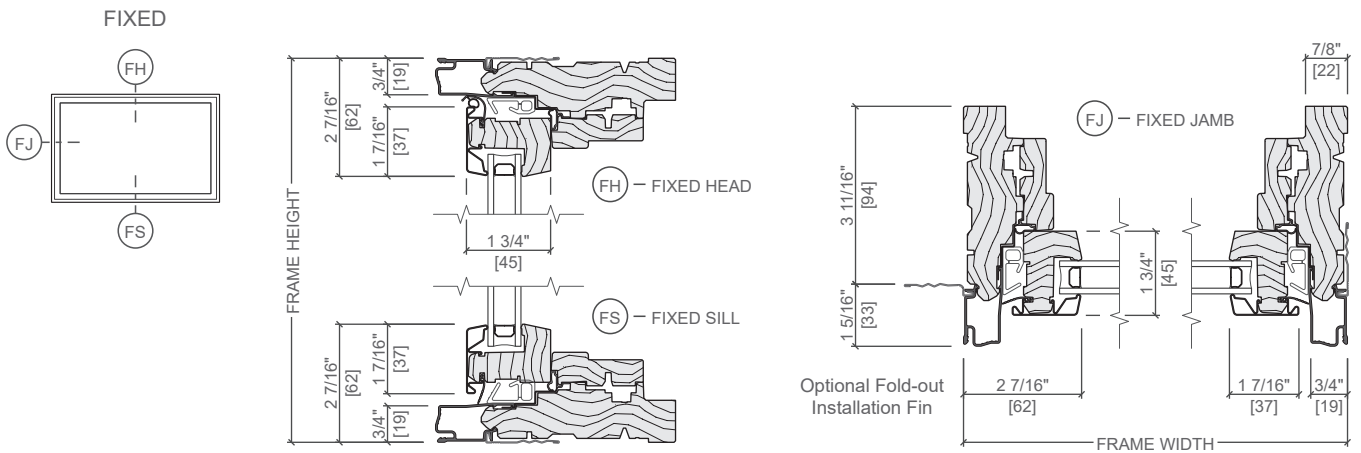
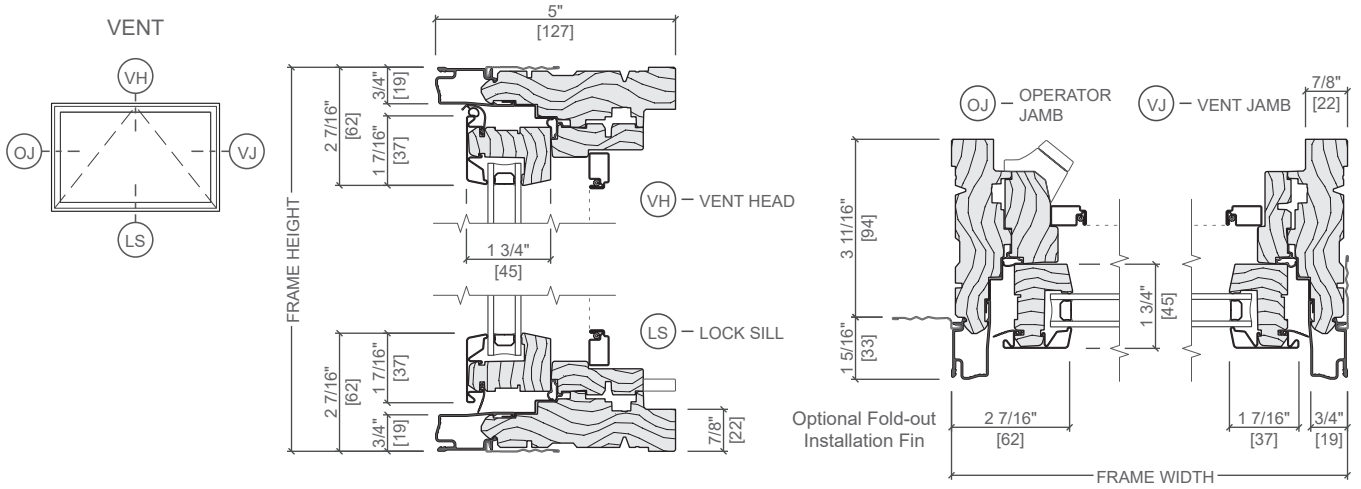
Pella products are backed by some of the strongest warranties in the business. See written limited warranty for details, including exceptions and limitations, at [pella.com/warranty](http://pella.com/warranty).

\*For testing purposes, the seal between the bottom rail and the glass was compromised in both casement units tested.

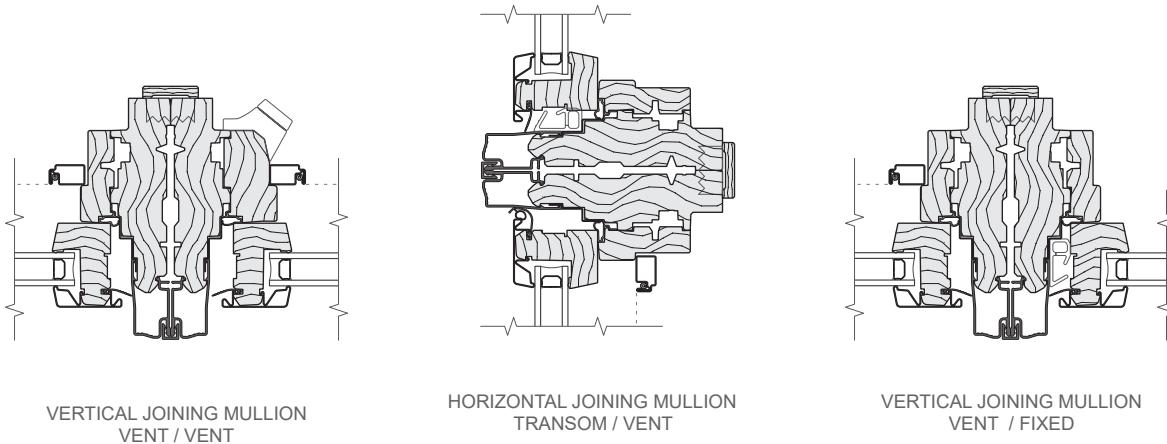


AWNING

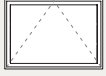
UNIT SECTIONS  
Aluminum-Clad Exterior



TYPICAL JOINING MULLIONS



Scale 3" = 1' 0"  
All dimensions are approximate.  
See [www.PellaADM.com](http://www.PellaADM.com) for mullion limitations and reinforcing requirements.



AWNING

## GRILLE TYPES

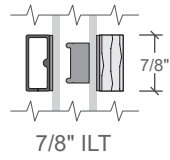
Typical Grille Profiles



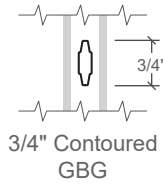
### GRILLE PROFILES

#### Contemporary Style Collection Integral Light Technology®

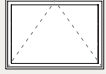
Square Grille  
Clad Exterior - Wood Interior



Contoured Aluminum -  
Grilles-Between-the-Glass







AWNING

## SIZE TABLES

### Aluminum-Clad Exteriors

#### Standard Awning



#### Vent Units

	(451) (432)	(552) (533)	(603) (584)	(654) (635)	(756) (737)
Opening	1' 5 3/4"	1' 9 3/4"	1' 11 3/4"	2' 1 3/4"	2' 5 3/4"
Frame	1' 5"	1' 9"	1' 11"	2' 1"	2' 5"
1' 5"					
1' 9"					
1' 11"					
2' 1"					
2' 5"					

#### Vent and Fixed Units

	(832) (813)	(908) (889)	(1 060) (1 041)	(1 213) (1 194)	(1 365) (1 346)	(1 518) (1 499)
Opening	2' 8 3/4"	2' 11 3/4"	3' 5 3/4"	3' 11 3/4"	4' 5 3/4"	4' 11 3/4"
Frame	2' 8"	2' 11"	3' 5"	3' 11"	4' 5"	4' 11"
2' 8"						
2' 11"						
3' 5"						
3' 11"						
4' 5"						

#### Special Size Frame Dimensions\*

	MINIMUM	MAXIMUM
VENT	1'5" W x 1'5" H (432 x 432)	4'5" W x 2'5" H (1 346 x 737)
FIXED	1'5" W x 1'5" H (432 x 432)	4'11" W x 2'5" H (1 499 x 737)

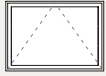
\* Available within size range shown.  
Keep frame dimensions to the nearest 1/8" increment. Frame height cannot exceed frame width on special size vent units.

Not to scale.

Ⓡ Fixed Units only

Traditional grille patterns shown. Refer to Clad/Wood Overview Section for additional patterns and profiles.

Contact your local Pella representative for the availability of custom sizes smaller or larger than the parameters shown.



AWNING

## PRODUCT SELECTION GUIDE

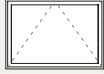
### Features and Options



STANDARD	OPTIONS / UPGRADES
<b>GLAZING</b>	
<b>Glazing Type</b>	
Dual-Pane Insulating Glass	–
<b>Insulated Glass Options/Low-E Types</b>	
Advanced Low-E	SunDefense™ Low-E
	AdvancedComfort Low-E
	NaturalSun Low-E
	Clear (no Low-E coating)
<b>Additional Glass Options</b>	
Annealed Glass	Tempered Glass
	Obscure Glass <sub>1</sub>
	Tinted Glass (Bronze, Gray and Green)
	Non-Impact Laminated Dual-Pane Insulating Glass
<b>Gas Fill/High Altitude</b>	
Argon	High Altitude
	High Altitude with Argon
<b>EXTERIOR</b>	
EnduraClad® protective finish	EnduraClad Plus protective finish
<b>Cladding Colors</b>	
27 Standard colors	Custom Colors <sub>1</sub>
<b>INTERIOR</b>	
Unfinished wood	Factory primed
	Factory prefinished paint <sub>1</sub>
	Factory prefinished stain <sub>1</sub>
<b>HARDWARE</b>	
<b>Fold-Away Crank Handle</b>	
Saldo	–
<b>Hardware Finish</b>	
Champagne, White, Brown or Matte Black	Bright Brass, Satin Nickel, Oil-Rubbed Bronze, Polished Chrome or Polished Nickel
<b>Sash Locks</b>	
SureLock® System, Unison Lock System <sub>2</sub>	–
<b>GRILLES</b>	
<b>Integral Light Technology® Grilles</b>	
–	Traditional, Prairie, Top Row, Cross or Custom-Equally Divided
<b>Grilles-Between-the-Glass</b>	
–	Traditional, Prairie, Top Row <sub>1</sub> , Cross or Custom-Equally Divided
<b>SCREENS</b>	
–	InView™ screens, Vivid View® screens

(1) Contact your local Pella sales representative for current designs and color options.

(2) Unit width determines availability.



AWNING

## DETAILED PRODUCT DESCRIPTIONS

### Aluminum-Clad Awning



#### FRAME

- Select softwood, immersion treated with Pella's EnduraGuard® wood protection formula in accordance with WDMA I.S.-4. The EnduraGuard formula includes three active ingredients for protection against the effects of moisture, decay and stains from mold and mildew. Plus, an additional ingredient adds protection against termite damage. Interior exposed surfaces are [clear pine] [mahogany] [douglas fir].
- Exterior surfaces are clad with aluminum.
- Components are assembled with screws, staples and concealed corner locks.
- Overall frame depth is 5" (127mm) for a wall depth of 3-11/16" (94mm).
- Optional factory-applied jamb extensions available between 3-13/16" (97mm) and 9-3/16" (233mm).
- Optional factory-installed fold-out installation fins with flexible fin corners.
- Optional factory-applied EnduraClad® exterior trim.

#### SASH

- Select softwood, immersion treated with Pella's EnduraGuard wood protection formula in accordance with WDMA I.S.-4. The EnduraGuard formula includes three active ingredients for protection against the effects of moisture, decay and stains from mold and mildew. Plus, an additional ingredient adds protection against termite damage.
- Interior exposed surfaces are: [clear pine] [mahogany] [douglas fir].
- Exterior surfaces are clad with lap-jointed aluminum.
- Corners mortised and tenoned, glued and secured with metal fasteners.
- Sash thickness is 1-3/4" (45mm).

#### WEATHERSTRIPPING

- Dual weatherstripping.
  - Continuous, flexible santoprene material in dual durometer design with welded corners, compressed between frame and sash for positive seal on all four sides.
  - Secondary thermoplastic vulcanizate (TPV) leaf-type weatherstrip between edge of sash and frame.

#### GLAZING SYSTEM<sup>1</sup>

- Quality float glass complying with ASTM C 1036.
- High altitude glazing [with argon] available.
- Silicone-glazed 11/16" dual-seal insulating glass [[annealed] [tempered]] [[clear] [[Advanced Low-E] [SunDefense™ Low-E] [NaturalSun Low-E] [AdvancedComfort Low-E] with argon]] [[bronze] [gray] [green] Advanced Low-E with argon]].

#### EXTERIOR

- Aluminum clad exteriors shall be finished with EnduraClad® protective finish, in a multi-step, baked-on finish.
  - Color is [Standard] [custom]<sub>2</sub>.
- or -
- Aluminum clad exteriors shall be finished with EnduraClad Plus protective finish with 70% fluoropolymer resin in a multi-step, baked-on finish.
  - Color is [Standard] [custom]<sub>2</sub>.

#### INTERIOR

- [Unfinished, ready for site finishing] [factory primed with one coat acrylic latex] [factory prefinished [White] [Linen White] [Bright White] [stain<sub>2</sub>]].

#### HARDWARE

- Roto operator assembly
  - Steel worm gear sash operator with hardened gears.
  - Operator base is zinc die cast with painted finish.
  - Operator linkage is stainless steel.
  - Exposed fasteners are stainless steel.
  - Hardware will exceed 1,000 hours salt spray exposure per ASTM B 117.
  - Hinge slide and hinge arms Stainless steel.
- Hardware Style is Saldo. Hardware Finish is [baked enamel [champagne] [white] [brown] [matte black]] [bright brass] [satin nickel] [oil-rubbed bronze] [polished chrome] [polished nickel].
- All vent units are available with operator located on left or right side as viewed from the exterior.
- SureLock® System—A single handle locking system operates positive-acting arms that reach out and pull the sash into a locked position: One operating lock installed on units with frame widths 29" and less, two unison operating locks installed on units with frame widths over 29".

#### OPTIONAL PRODUCTS

##### Grilles

- Integral Light Technology® grilles
  - Interior grilles are 7/8" square profile that are solid [pine] [mahogany] [douglas fir]. Interior surfaces are [unfinished, ready for site finishing] [factory primed] [pine: factory prefinished [White] [Linen White] [Bright White] [stain<sub>2</sub>]].
  - Exterior grilles are 7/8" square profile that are extruded aluminum.
  - Patterns are [Traditional] [Prairie] [Top Row] [Cross] [Custom - Equally Divided].
  - Insulating glass contains non-glare spacer between the panes of glass.
  - Grilles are adhered to both sides of the insulating glass with VHB acrylic adhesive tape and aligned with non-glare spacer.
- or -
- Grilles-Between-the-Glass<sub>2</sub>
  - Insulating glass contains 3/4" contoured aluminum grilles permanently installed between two panes of glass (exterior air-space on triple-pane insulating glass).
  - Patterns are [Traditional] [Prairie] [Cross] [Top Row] [Custom - Equally Divided].
  - Interior color is [White] [Black] [Tan<sub>4</sub>] [Brown<sub>4</sub>] [Putty<sub>4</sub>] [Ivory] [Brickstone] [Harvest] [Cordovan].
  - Exterior color<sub>5</sub> is [Standard<sub>2</sub>].

##### Screens

- InView™ Screens
  - Vinyl-coated 18/18 mesh fiberglass screen cloth complying with the performance requirements of SMA 1201, set in aluminum frame fitted to inside of window, supplied complete with all necessary hardware.
  - Screen frame finish is baked enamel [Champagne] [White] [Brown] [Black].
- or -
- Vivid View®
  - PVDF 21/17 mesh, minimum 78 percent light transmissive screen, set in aluminum frame fitted to inside of window, supplied complete with all necessary hardware.
  - Screen frame finish is baked enamel, [Champagne] [White] [Brown]. [Black].

##### Hardware

- Optional factory applied limited opening hardware available for vent units in stainless steel; nominal 3" opening.

(1) Low-E coated insulating glass is argon-filled (except high altitude). All other insulating glass (including high altitude Low-E) is air-filled.

(2) Contact your local Pella sales representative for current designs and color options.

(3) Available in clear or Low-E insulating glass with argon and obscure insulated glass.

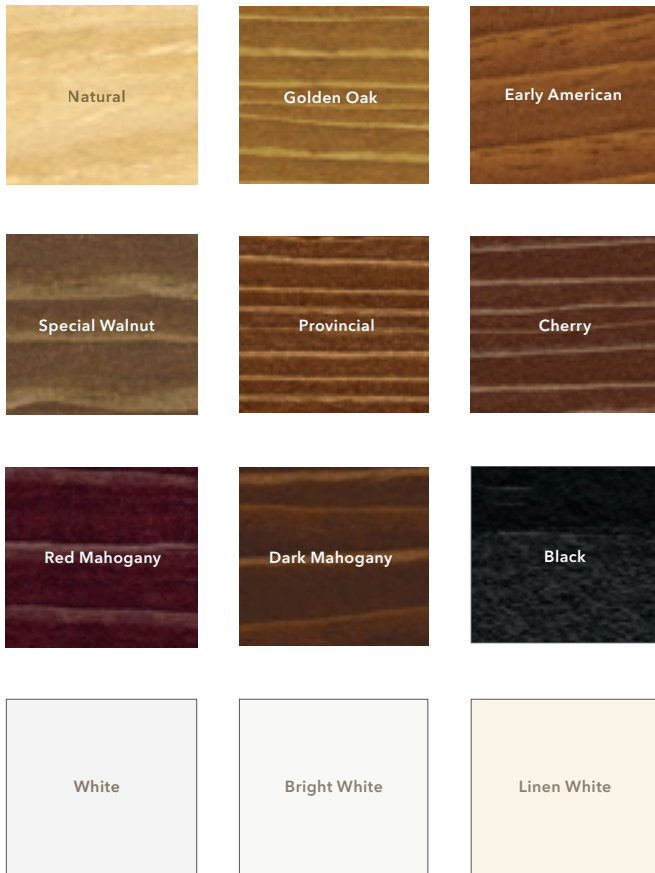
(4) Tan, Brown or Putty Interior GBG colors are available in single-tone (Brown/Brown, Tan/Tan or Putty/Putty). Other interior colors are also available with tan or brown exterior.

(5) Appearance of exterior grille color will vary depending on Low-E coating on glass.

# Impeccably coordinated.

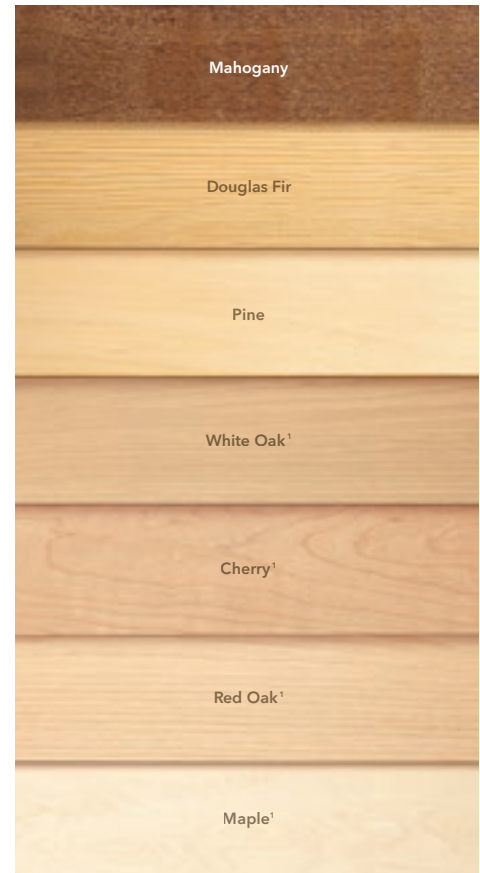
## PREFINISHED PINE INTERIORS

Pella's factory finish on the wood interiors of your windows and patio doors gives you instant wow. Choose a stunning stained finish to match the color of other wood in your home or a painted White finish for a fresh, bright look. Also available primed and ready-to-paint.



## WOOD TYPES

Your Architect Series® windows or patio doors can be made from your choice of today's most desirable woods – so they'll tastefully complement your home's other interior finishes.



## ALUMINUM-CLAD EXTERIORS

Pella's low-maintenance EnduraClad® exterior finish resists fading, so your windows and patio doors stay looking great for years. Take this beauty and durability one step further with Pella EnduraClad Plus² protective finish that provides exceptional weatherability. Plus, Pella offers virtually unlimited custom color options for a unique look.





The One and Only NanaWall  
Opening Glass Walls

Residential and Commercial  
Folding ▪ Sliding ▪ Frameless

**NanaWall**  
Engineering the Exceptional



Gloria's Restaurant, Dallas TX  
NanaWall Folding System SL70: **large opening,**  
**highly energy efficient, floor supported system**  
Architect: MSC Design

## NANAWALL FOLDING GLASS WALLS

NanaWall Folding Glass Walls offer clean lined aesthetics and narrow profiles. The folding walls are available in aluminum, solid wood and clad finishes with a choice of numerous sill options, including a surface mounted sill and ADA compliant sill options.

**Folding System Highlights**

- Nine distinct systems of connected bi-folding door panels.
- Match any architectural style with numerous system choices.
- Easy operation—no matter the size or number of panels.
- Top-hung or floor supported models, inward or outward openings.
- Panel heights of up to 12' (3660 mm) and widths of 4' (1220 mm) are possible.
- Convenient swing entry doors, with an up to 180° swing plane, may be hinged to a side jamb or be configured within the chain of panels.
- Moving structural posts provide unparalleled strength in our Miami-Dade County and AAMA hurricane approved (NOA #'s 15-0226.05 and 15-226.06) folding system SL73.

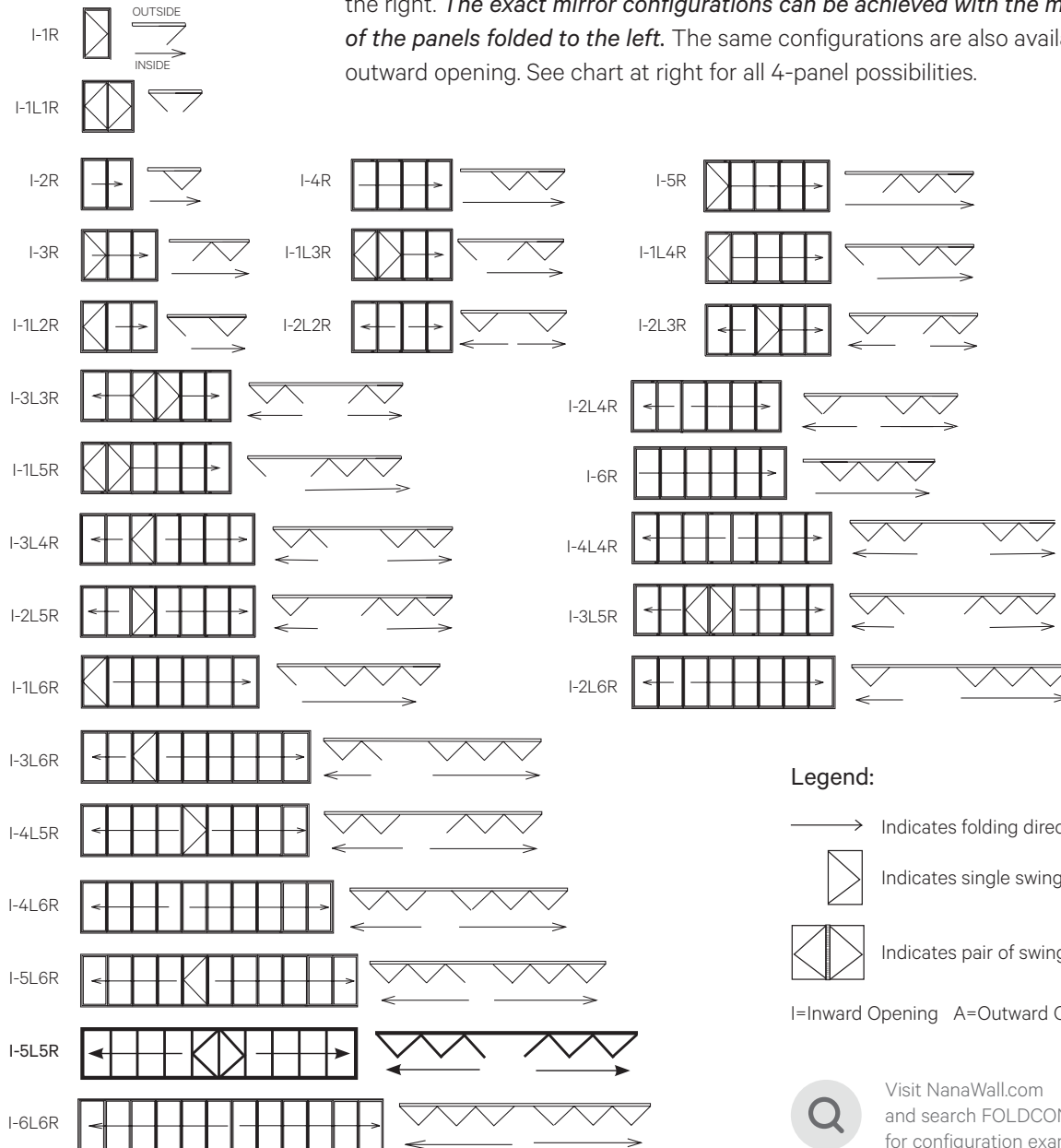


## Standard Configurations



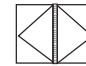
Over fifty opening configurations are possible with inward and outward openings. For easy entry/egress, locking swing panels may be attached to a side jamb or attached to the end of a chain of bi-fold panels.


### MODEL:

This chart shows inward opening configurations with most panels folded to the right. **The exact mirror configurations can be achieved with the majority of the panels folded to the left.** The same configurations are also available outward opening. See chart at right for all 4-panel possibilities.



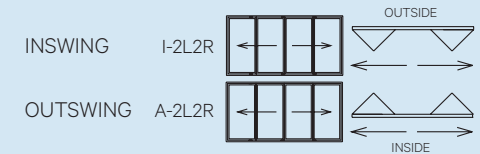
### Legend:

-  Indicates folding direction
-  Indicates single swing panel
-  Indicates pair of swing doors
- I=Inward Opening A=Outward Opening

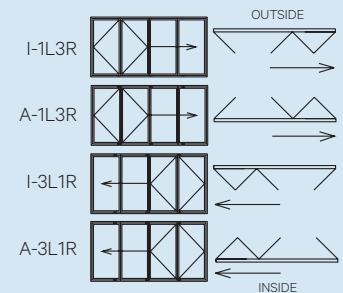
 Visit [NanaWall.com](http://NanaWall.com) and search FOLDCONFIG for configuration examples

## 4-Panel Folding System Basic Configurations

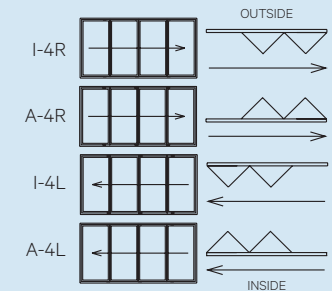
### SYMMETRIC SOLUTION



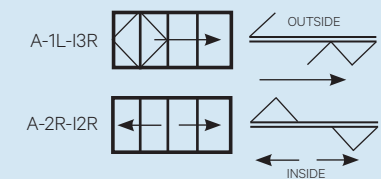
### PAIR OF SWING DOORS SOLUTION



### ALL PANELS FOLDING TO ONE SIDE



### INWARD / OUTWARD



Similar configurations are possible with other numbers of panels.



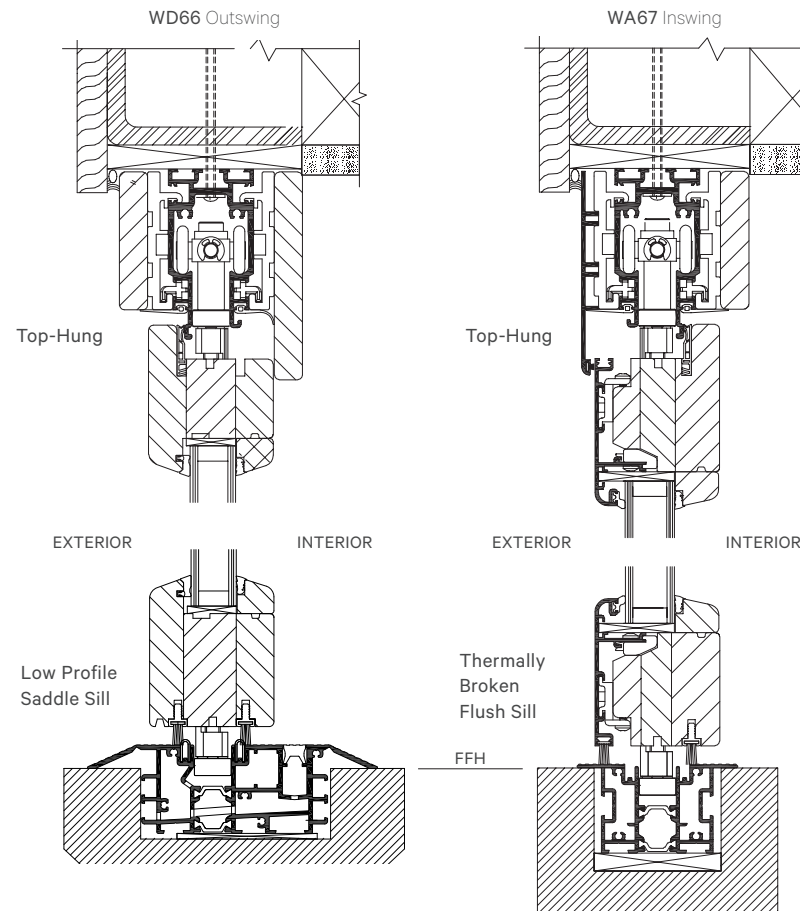
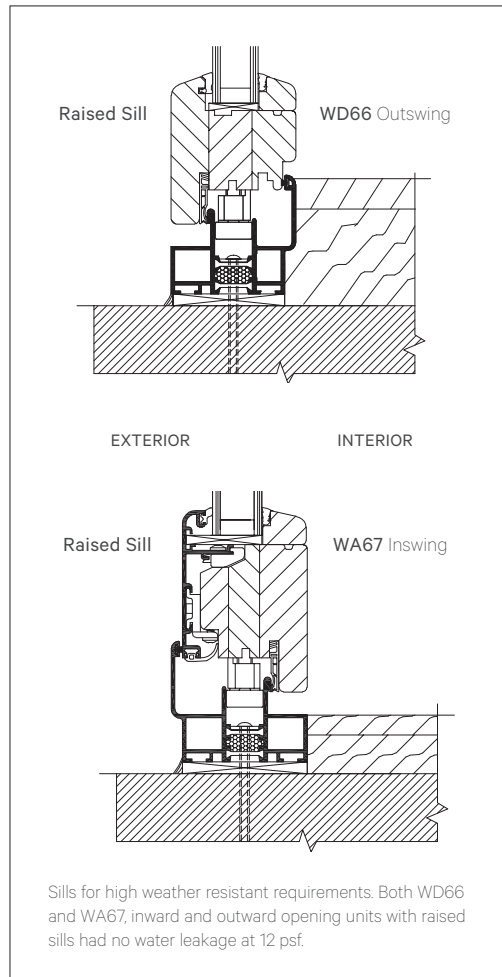
## Sill Option Choices for Wood and Clad Framed Systems

NanaWall Systems offers different sill options to meet specific application requirements. Shown are examples. Please see our architectural binder for our complete line of wood and clad system sill choices.



Visit [NanaWall.com](http://NanaWall.com) and search FOLDSELECT for the Product Selection Tool

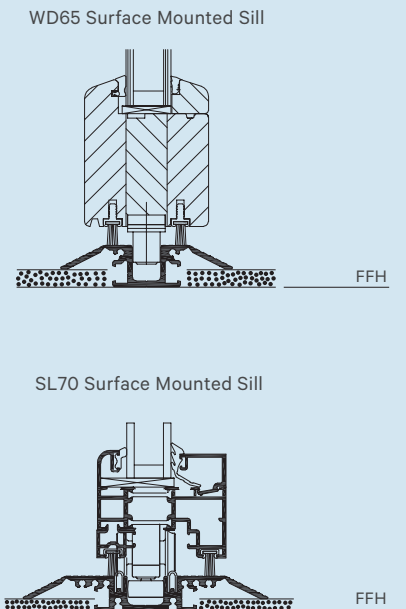
Scale: 1/4" = 1"



## WA67 Features and Benefits

- Maintenance free extruded aluminum exterior and the warmth of wood inside.
- Aluminum cladding attached using a back ventilated rain screen technique to protect and isolate the wood.
- Wood components are 100% solid wood of choice, cross-grained and triple laminated for strength.

## Surface Mounted Interior Sills





Park City Residence, Park City UT  
NanaWall Folding Glass Wall WA67: aluminum clad wood framed  
folding system, divided lites, top-hung or floor supported system  
Architect: Otto Walker Architects

# NanaWall Finishes, Glazing & Hardware Options

## Standard 50 Finishes for Aluminum and Clad Systems

With 50 standard and over 200 colors available in powder coat and anodized finishes as well as PVDF Kynar for select systems. Custom matched colors and simulated wood effects are also available.

**For accurate color swatch examples, please request our Powder Coating Finish Options brochure.**

### STANDARD POWDER COAT OPTIONS



## Glazing Area Options

- Glazing options include insulated, low-E, argon filled triple insulated low-E, bird protection glass, turtle glass, Heat Mirror, impact, and other specialty glass.

Custom layouts with horizontal mullions, simulated divided lites, inserts, and high bottom rails are possible.

## Wood Finish Options

Standard woods include Douglas Fir, Pine, Spruce, and Meranti. Oak, Sapeli Mahogany and other specialty woods are available upon request, please consult NanaWall for additional costs. *For accurate wood representation, please request our Wood & Finish Options brochure.*

### SELECT WOOD FINISH OPTIONS

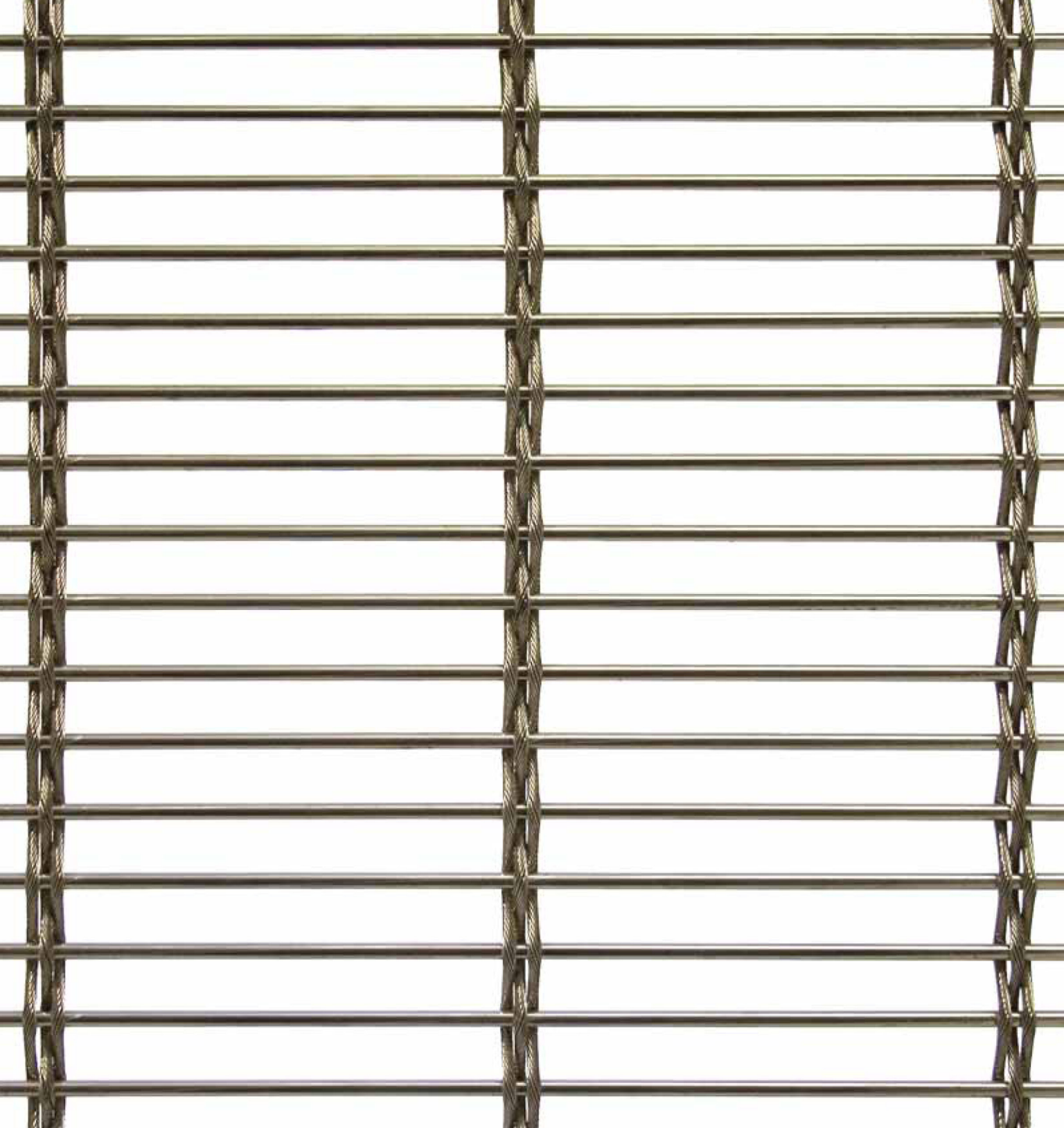


\*Available with upcharge.



## Hardware Options

The standard locking hardware is compatible with a wide array of commercially available handle sets and escutcheon plates to match any design style.



# BRAID

## Flexible

Material                      Stainless Steel

Open Area                      65%

Weight                          1.8 lb/ft<sup>2</sup>  
8.79 kg/m<sup>2</sup>

Maximum Width              240" (6.1 m)

## Attachments

Eclipse™

Scroll™

Velocity™

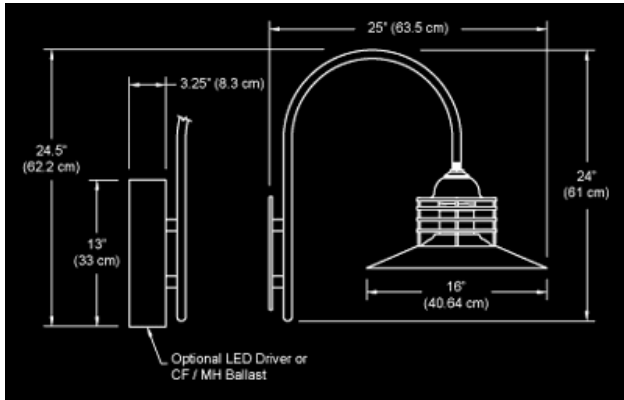


WWW.CAMBRIDGEARCHITECTURAL.COM  
TOLL FREE 866 806 2385

SAMPLE SHOWN AT FULL SCALE.  
MEASUREMENTS ARE APPROXIMATE VALUES.  
SPECIFICATIONS SUBJECT TO CHANGE.



[Specifications](#) [IES](#) [Finishes](#)



## CHINA

IP55

### PRODUCT CODE

CHW0016 - \_ - \_ - \_ - \_

#### 1. LAMPING

- A. 1x 150W INC
- B. 1x 26W PL-T
- C. 1x 32W PL-T
- D. 1x 70W MH ED-17
- E. 20W LED

#### 2. VOLTAGES

- 1. 120V
- 2. 277V
- 3. 347V (consult factory)
- 4. 220 to 230V

#### 3. FINISHES

Note \* Supplied with the same finish on all surfaces.

- F05 White\*
- F09 Pewter
- F15 Matte Black
- F16 Gloss Black
- F19 Mirror Silver\*
- F21 Architectural Bronze
- F31 Silver Metallic\*
- RL RAL Custom Color (specify)

#### 4. OPTIONS

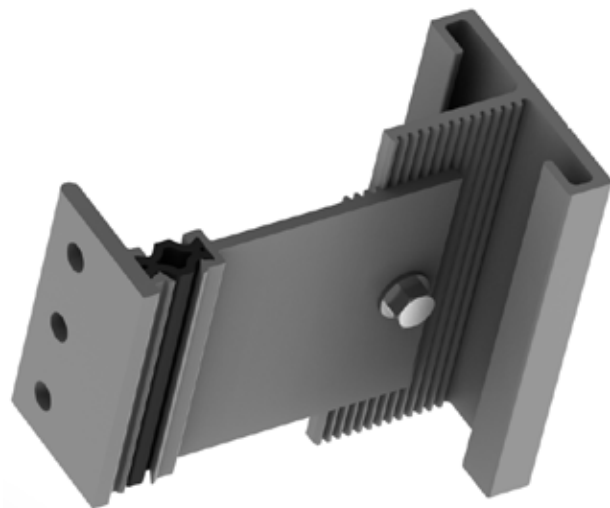
- DML LED Dimmer (0 - 10V, current sinking control, indoor only)
- DMD Dimming Ballast Advance Mark 10 (indoor only; fluorescent only; consult TMS)
- DMDL Dimming Ballast Lutron (indoor only; fluorescent only; consult TMS)
- BU Emergency Ballast (remote, consult TMS; fluorescent only)
- GR275 Wire Guard
- G3 Prismatic, Elongated Globe, 7" h x 3" d (Max. INC150W, CF32W, MH70W)

The China is ideal for illuminating areas where localized distribution is necessary, such as doorways and entrances, laneways, patios, and could provide adequate nighttime security lighting. It lends itself to commercial, and industrial applications that could benefit from materials and maintenance cost reductions. China could either augment the existing lighting system, or illuminate a small to medium-sized area.



## SimpL-Clip System

- thermally broken
- made of light weight aluminum
- supports continuous insulation
- creates a rain screen
- response time within 24 hours
- supports other cladding up to 8 lbs per sq ft.
- adjustable for sub-wall misalignment
- health product declarations
- support for specifications + drawings
- built for seismic zones



easy to use

quick delivery

solid  
warranty

durable  
finishes

[longboardproducts.com](http://longboardproducts.com)

# WOODGRAIN OPTIONS

Our woodgrain options are divided into four categories based on the consistency of the wood grain pattern.

## CONSISTENT



DARK ACACIA



DARK BAMBOO



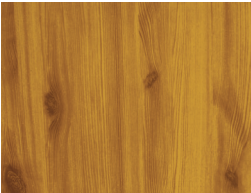
LIGHT BAMBOO



DARK FIR



LIGHT FIR



DARK KNOTTY PINE



LIGHT OAK



DARK WALNUT



ITALIAN ROSEWOOD



WHITE OAK



# Series 403X

## 2" x 4 1/2" Thermal Storefront Framing



### CONFIGURATIONS

#### Shear Block • Screw Spline

This innovative flush glaze storefront framing system utilizes a dual pour and debridge thermal barrier that provides outstanding energy efficiency. Available in either shearblock or screw spline construction, the 403X Series can be used in conjunction with virtually all EFCO entrance systems and V410 vents. A variety of options are available for use with this system, including sunshade mullions and variable sight line horizontals. Steel reinforcement is also available to enhance structural capability.

### Features

### Benefits

Dual pocket thermal barrier framing	Enhanced thermal performance and reduced energy cost
Screw spline or shearblock construction	Decreases installation labor and cost Ability to erect on the job site
The optional Roto-Vent™ ventilator	Allows fresh air into the room, yet maintains security
2-way (90° and 135°) and 3-way corner mullions	Multifaceted elevations for design flexibility
0°-15° and 15°-30° variable mullions	Increased design flexibility
Accommodates up to 1 1/16" glazing	Expands design and energy savings options
Uniform glazing gasket is used for exterior and interior	Allows optimized use of gasket and reduces inventory Simplifies ordering and installation
Various height intermediate horizontals and sills	Ability to maintain desired sight line
Accessory line of perimeter anchors, pocket fillers, door adaptors, etc.	Increased product versatility
Anodized or painted finishes available	Multiple options to answer economic and aesthetic concerns





# Series 403X

## 2" x 4 1/2" Thermal Storefront Framing

### Frame Construction

The frames have a depth of 4 1/2", and the nominal material wall thickness is .080". Members are extruded 6063-T6 aluminum alloy. Corner construction employs screw spline or shear block method. See Illustration 1 & 2.

### Door Frames

System 403X offers integral System 402 entrance frames as a part of the entrance framing system. Members are nominally .080" in thickness.

### Weather Stripping

All entrance frames are weather-stripped with bulb gasket.

### Thermal Barrier

All frames and vents are thermally broken using the latest technology in a two part, high density polyurethane, with core framing members having dual thermal pockets for improved thermal performance.

### Glazing

Series 403X can be inside or outside glazed with extruded aluminum, snap-in glazing bead. Glass is "dry glazed" with top load gasket. Glazings of 3/16" to 1 1/16" infill panels are accommodated. See Glazing Chart for exact size.

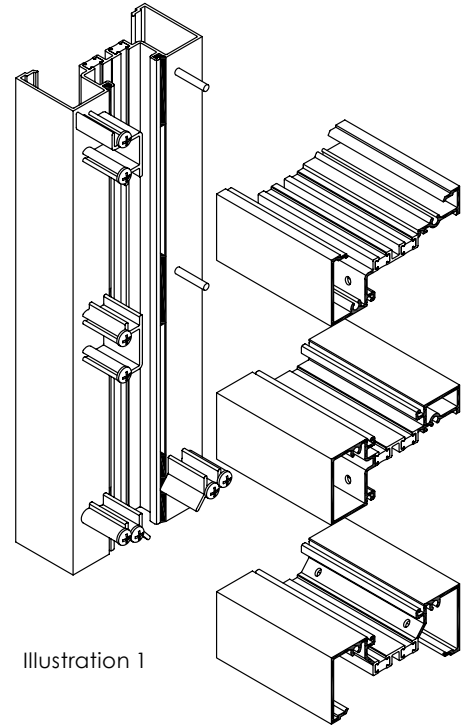


Illustration 1

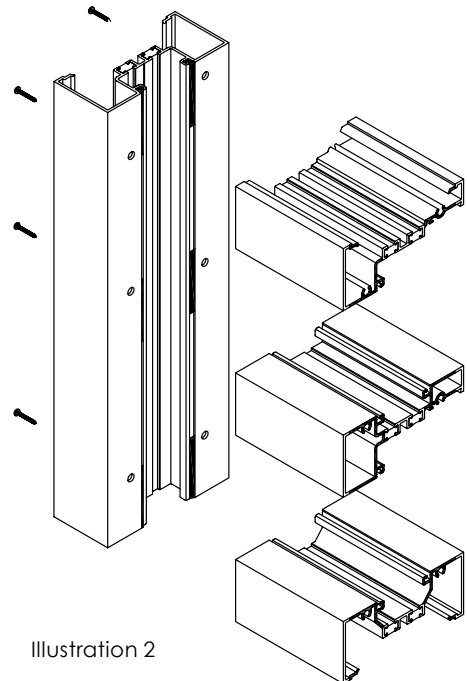
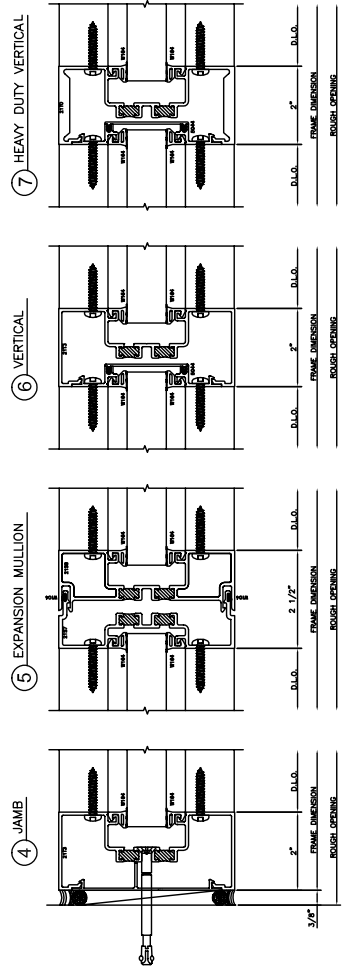
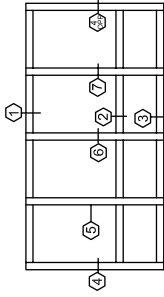
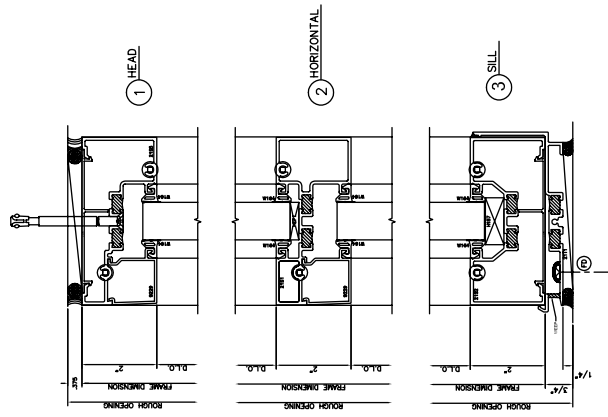
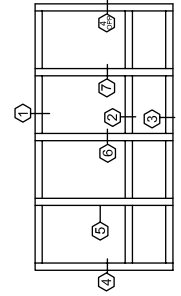
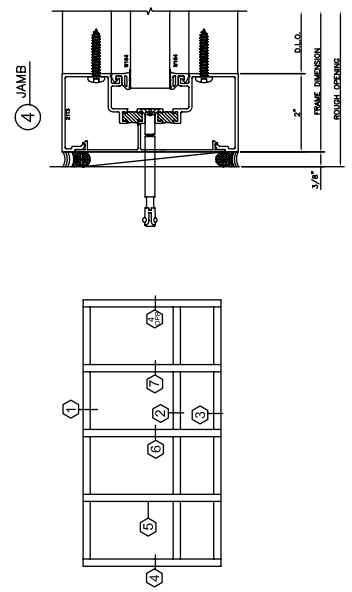
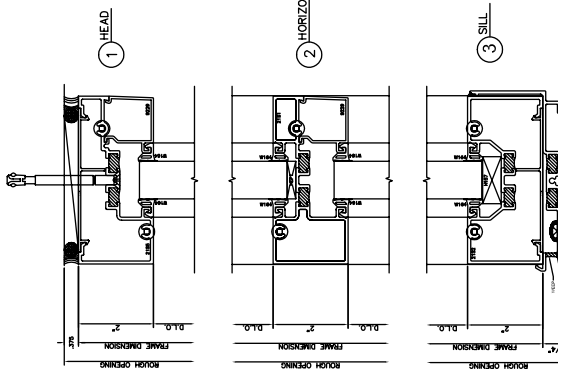


Illustration 2

**403X Screw Spline Outside Glazed Stops Down**



**403X Screw Spline Inside Glazed**

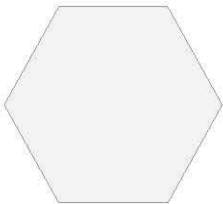




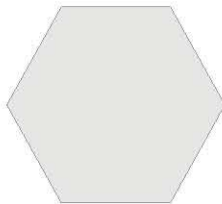
# COATINGS FINISHES COLORS

## ULTRAPON (70% PVDF)

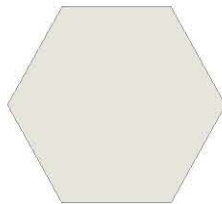
### STANDARD



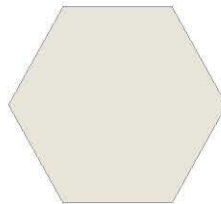
Bone White



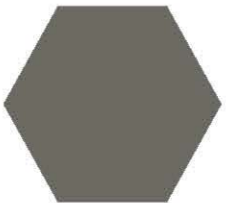
White



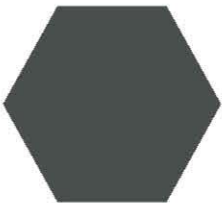
Antique White



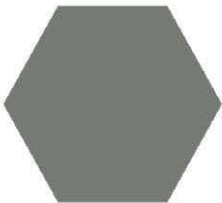
Herring Bone



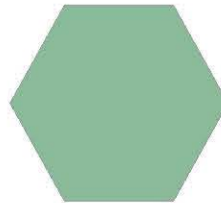
Mesa Brown



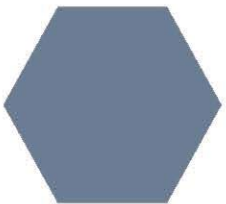
Mineral Brown



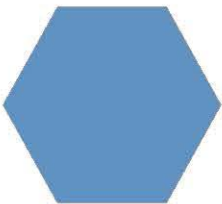
Gray



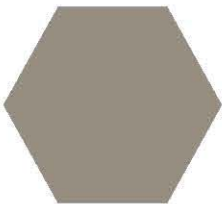
Aged Copper



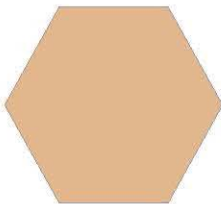
Legacy Blue



Denim Blue

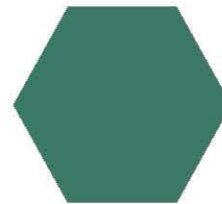


Light Brown

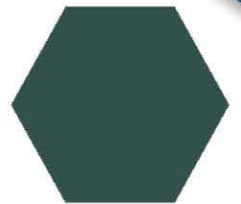


Pueblo Tan

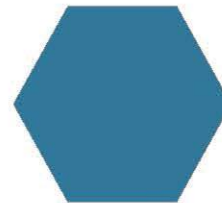
### FEATURED



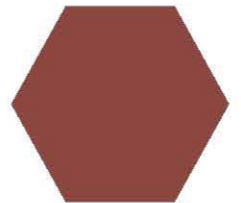
Ivy



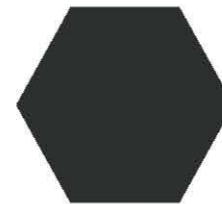
Hartford Green



Blue Sky



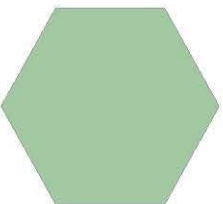
Brick Red



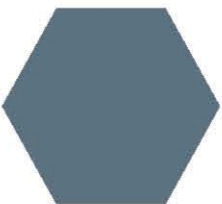
Black

## ULTRA-ESCENT II (70% PVDF MICA\*)

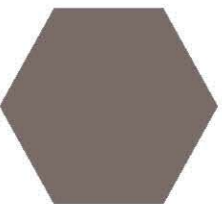
### STANDARD



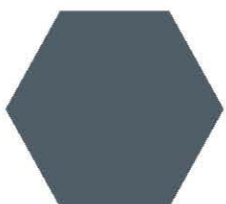
Weathered Copper



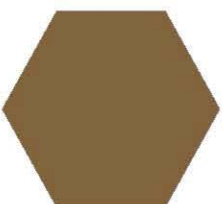
Slate



Raw Sienna

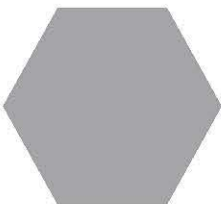


Gun Barrel

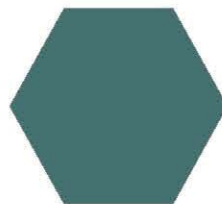


Saddle Bronze

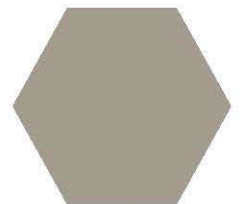
### FEATURED



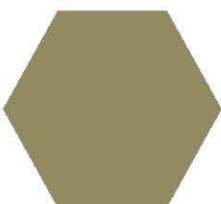
Warm Silver



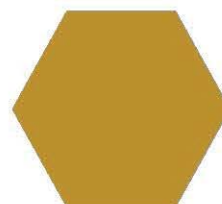
Sea Spray



Asti



Champagne



Aztec Gold

<sup>1</sup> The color samples shown are not the actual paint. These paint colors represent the production colors as closely as possible within the limitations of color-chip reproduction.

<sup>2</sup> Additional charges may apply to exotic colors that require a clear topcoat, metallic colors, custom color matches

\* Color variation is inherent in, and should be expected with Mica/Ultra-Escent II paint finishes. Laboratory-prepared samples will appear different from production-run material.

