

June 11, 2007

ADDENDUM NO. 2

RFP # 08-07

City of Portsmouth

DESIGN/BUILD SERVICES

CANOE/KAYAK DOCK PROJECT

SAGAMORE CREEK HEADLANDS

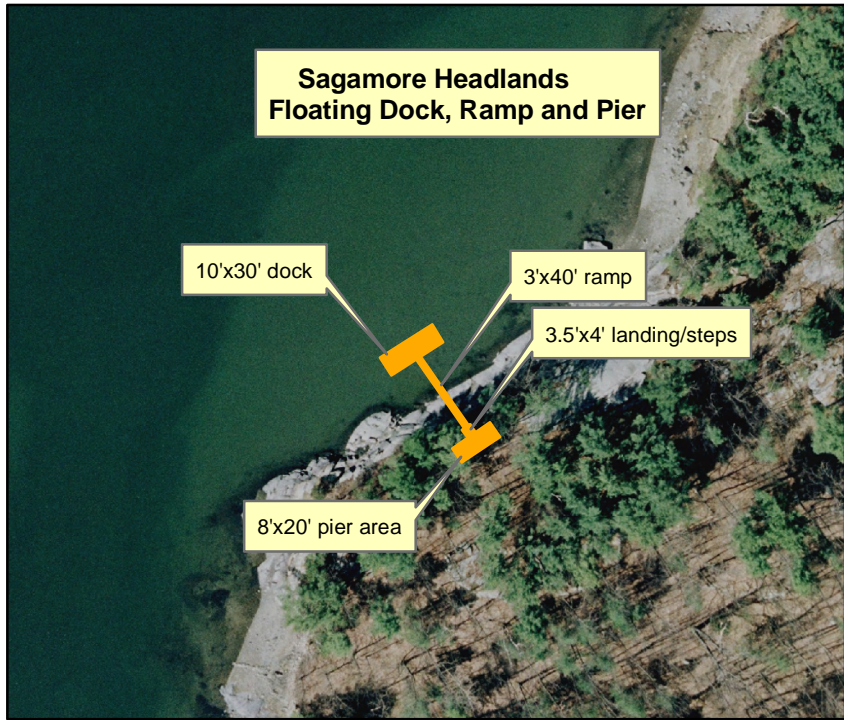
NOTICE TO ALL PROPOSERS

To the attention of all vendors submitting proposals for the "Design/Build Services Canoe/Kayak Dock Project" scheduled to be submitted on June 13, 2007 at 2:00 p.m:

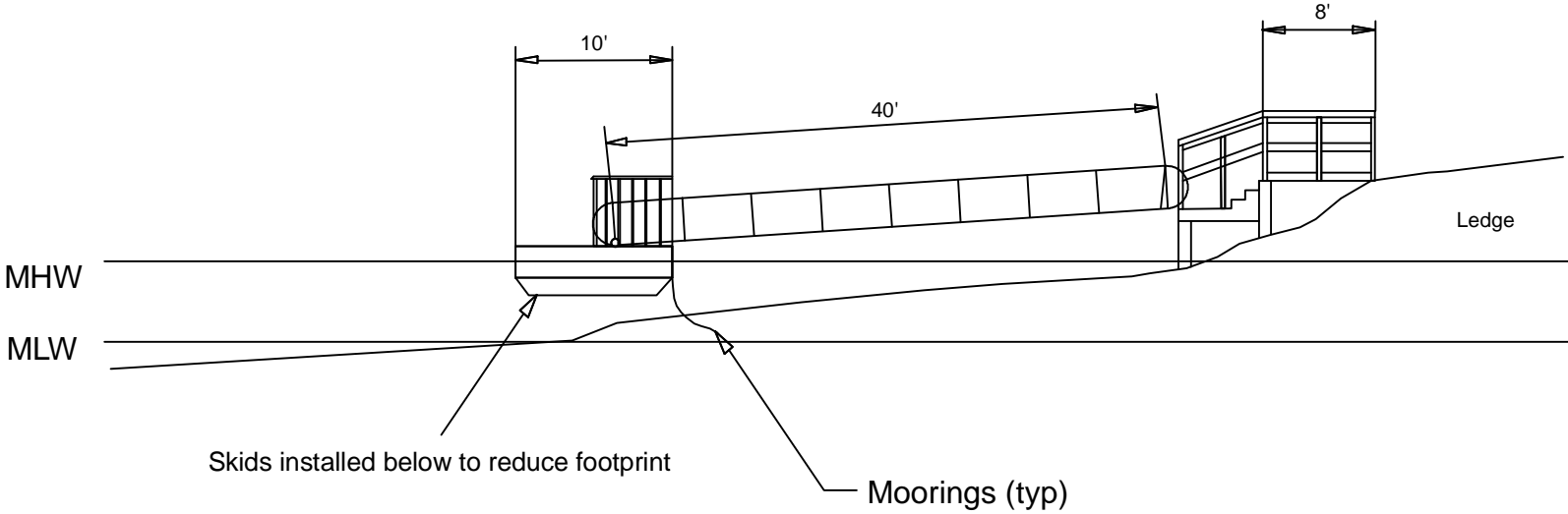
- The Request for Propsoal due date and time has been changed to June 20, 2007 @ 2:00 p.m.
- At the mandatory pre-bid meeting on May 31, 2007, questions from proposers arose about the feasibility of the design concept presented in Attachment 4. In recognition of the topographical requirements in the proposed dock's location, a new conceptual drawing has been produced (page 2 of this Addenda) by the City for the purposes of the RFP. This new drawing should be become the last page of Attachment 4 and supercede all plan view and elevation view drawings in that attachment. The new drawing reflects no new changes in the foot print below the Highest Observable Tide Line (HOTL), only footprint alterations above the HOTL.
- All communications permit conditions, and other information in Attachment 4 shall not be intended to be altered as a result of the new drawings.

This addendum #2 will become part of the original RFP.

Please acknowledge receipt of this addendum within your proposal. Failure to do so may subject a proposer to disqualification.



NH DES Wetland Permit Application Cross Section



Sagamore Creek