

Addendum #1

Bid #10-17

Market Street Gateway Improvements, Phase 1

Issued on September 23, 2016

This addendum forms part of the original bid document. Please acknowledge this addendum within your proposal, failure to do so will subject a bidder to disqualification.

- The Price-Proposal pages 9-20 have been replaced in their entirety and the revised pages are included in this addendum.
- The bid due date has been changed to October 6, 2016 at 1:00 p.m.

The following questions (**shown in bold text**) have been asked and answers provided.

Under the special provision for item 616.401 for the traffic signal modification for the I95 NB off ramp, under the list of major materials: “Foundation for existing 30-foot mast pole and 50-foot mast arm” Is this correct because plan C-02 shows relocating the a 30’ mast arm only?

The intent of this item is to move the existing mast-arm/pole combination back a few feet to make enough room for the multi-use path. The existing approximately 45’ long mast-arm will need to be field measured for verification and the correct foundation size provided. A new foundation with conduit will need to be provided and the existing foundation must be removed to a point low enough to construct the multi-use path over it. The signal heads may need to be relocated in order to make sure the heads are in the correct positions over the lanes. There is one mast-arm to move for this intersection.

Under the special provision for item 616.402 for the traffic signal modification for the I95 SB off ramp, under the list of major materials: “Foundation for existing 30-foot mast pole and 50-foot mast arm” Is this correct because plan C-01 shows relocating the a 50’ mast arm only?

The intent of this item is to move the existing mast-arm/pole combination back a few feet to make enough room for the raised bike lane and to move the existing pedestrian pole back for the multi-use path. The existing approximately 45’ long mast-arm and a pedestrian pole will need to be field measured and the correct foundation sizes provided. A new foundation with conduit will need to be provided for each and the existing foundations must be removed to a point low enough to construct the paths over them. The existing foundation for the pedestrian pole is fairly new and may be reused if feasible. The signal heads may need to be relocated in order to make sure the heads are in the correct positions over the lanes. There is one mast-arm and one pedestrian pole to be moved for this intersection.

There is no special provision included for the pedestrian pole to be relocated at Market and Kearsarge Way.

The special provision is included in this addendum as 616.403. A bid item for this has been added as well.

Plan sheet T-01 and T-02 indicate there is a new intersection @ NH Port Authority/ Market Street. Is this part of a different contract? There is no bid Item for this work or special provisions Phase 2?

Correct, phase two of the Gateway Improvements will be bid in a separate contract after the Sara Long Bridge is completed in a few years.

Plan sheet L-50 "Site furnishings & Lighting Schedule " quantities for lighting is 26 singles and 11 doubles, the plan sheets indicate 22 singles and 11 doubles, the quantities in the bid list show 13 singles and 7 doubles? How many lights of each type are there?

The plans were designed for both phases of the project. There are 13 singles and 6 doubles in this phase as the bid sheet now indicates.

Sheet L-50 also indicates Bollard lighting Item 665.14.....not on bid list, have they been removed? Phase 2?

The plans were designed for both phases of the project. There are no bollard lights in this phase as the bid sheet indicates.

Bid Item # 618.61 Portsmouth Police has a stipulated hourly rate of \$60.00. The written hourly rate is Fifty Dollars. Please clarify.

As of this date, the hourly rate for police is \$60.00 per hour. It should be noted that this item will only be paid for the exact cost incurred and no mark-up will be allowed. If the rate goes up after July 1, the City will pay the new rate accordingly. Invoices for police will need to be submitted for payment.

Bid Item # 618.7 Flaggers has a stipulated hourly rate of \$18.55. The written hourly rate is seventeen dollars. Please clarify.

As of this date, the hourly rate for flaggers through the City's current contract with Project Flagging is \$18.55 per hour. It should be noted that this item will only be paid for the exact cost incurred and no mark-up will be allowed. If the rate goes up next year, the City will pay the new rate accordingly. Invoices for flagging will need to be submitted for payment.

Bid Item # 665 street lights. The specifications indicate a 25' pole height where the bid sheet lists 24' please clarify.

The specified pole is a 24' high "Belmont" style pole with 6' arm as manufactured by Stresscrete with K833 Solitaire LED luminaire as manufactured by King Lighting. Cut sheets for the two different styles are attached in this addendum for clarity.

Tree Clearing Limits:

All work for cutting and clearing trees for this project must be done by the 15th of April. No tree clearing will be allowed between April 15th and August 31 per the Army Corps wetland permit attached in the appendix. The Contractor will be required to sign the regulatory permits and follow all regulatory requirements as stated on the permits that are attached in the appendix of the bid.

Bid Opening Time extension:

Bids are no longer due on September 28th. The new due date will be October 6th at 1PM.

PROPOSAL FORM

Market Street Gateway Improvements Phase 1

CITY OF PORTSMOUTH, N.H.

To the City of Portsmouth, New Hampshire, herein called the Owner.

The undersigned, as Bidder, herein referred to as singular and masculine declares as follows:

1. All interested in the Bid as Principals are named herein.
2. This bid is not made jointly, or in conjunction, cooperation or collusion with any other person, firm, corporation, or other legal entity;
3. No officer, agent or employee of the Owner is directly or indirectly interested in this Bid.
4. The bidder has carefully examined the sites of the proposed work and fully informed and satisfied himself as to the conditions there existing, the character and requirements of the proposed work, the difficulties attendant upon its execution and the accuracy of all estimated quantities stated in this Bid, and the bidder has carefully read and examined the Drawings, Agreement, Specifications and other Contract Documents therein referred to and knows and understands the terms and provisions thereof;
5. The bidder understands that the quantities of work calculated in the Bid or indicated on the Drawings or in the Specifications or other Contract Documents are approximate and are subject to increase or decrease or deletion as deemed necessary by the Director of Public Works. Any such changes will not result in or be justification for any penalty or increase in contract prices; and agrees that, if the Bid is accepted the bidder will contract with the Owner, as provided in the Contract Documents, this Bid Form being part of said Contract Documents, and that the bidder will supply or perform all labor, services, plant, machinery, apparatus, appliances, tools, supplies and all other activities required by the Contract Documents in the manner and within the time therein set forth, and that the bidder will take in full payment therefore the following item prices, to wit:

ITEM #	EST. QTY.	UNITS	ITEM DESCRIPTION & UNIT PRICE IN WORDS	UNIT PRICE IN FIGURES	ITEM TOTAL IN FIGURES
201.1	.71	Acre	CLEARING AND GRUBBING (F)	\$ _____	\$ _____
<hr/>					
202.41	126	Lf	REMOVAL OF EXISTING PIPES 0-24" DIAMETER (F)	\$ _____	\$ _____
<hr/>					
202.7	1505	LF	REMOVAL OF GUARDRAIL (F)	\$ _____	\$ _____
<hr/>					

PROPOSAL FORM (continued)

ITEM #	EST. QTY.	UNITS	ITEM DESCRIPTION & UNIT PRICE IN WORDS	UNIT PRICE IN FIGURES	ITEM TOTAL IN FIGURES
203.1	3238	CY	COMMON EXCAVATION	\$ _____	\$ _____
203.2	576	CY	ROCK EXCAVATION	\$ _____	\$ _____
206.19	5	CY	COMMON STRUCTURE EXPLORATORY EXCAVATION.	\$ _____	\$ _____
304.3	884	CY	CRUSHED GRAVEL	\$ _____	\$ _____
304.34	263	CY	3/8" PEA GRAVEL (Biomedian)	\$ _____	\$ _____
304.4	1051	CY	CRUSHED STONE (FINE GRADATION) (Biomedian)	\$ _____	\$ _____
403.11	50	Tons	Machine Method Bituminous Paving	\$ _____	\$ _____
403.12	150	Tons	Hand Method Bituminous Paving	\$ _____	\$ _____
520.1	80	CY	Concrete, Class A curb backfill	\$ _____	\$ _____
583.1	16	CY	RIP RAP TYPE A	\$ _____	\$ _____
603.33112	1	EA	12" CORR. POLYETHYLENE END SECTION	\$ _____	\$ _____
603.33112	3	EA	15" CORR. POLYETHYLENE END SECTION	\$ _____	\$ _____

PROPOSAL FORM (continued)

ITEM #	EST. QTY.	UNITS	ITEM DESCRIPTION & UNIT PRICE IN WORDS	UNIT PRICE IN FIGURES	ITEM TOTAL IN FIGURES
603.82212	15	LF	12" HDPE Drain Pipe	\$ _____	\$ _____
603.82215	111	LF	15" HDPE Drain Pipe	\$ _____	\$ _____
604.0007	8	EA	Polyethylene Liner for CB	\$ _____	\$ _____
604.1	8	EA	Eliminator© systems Oil/Water Separator Hood	\$ _____	\$ _____
604.2	2	EA	Core and boot existing drain structures 12-15"	\$ _____	\$ _____
604.12	8	EA	4' Diameter New Catch Basins (Type B Complete)	\$ _____	\$ _____
604.22	1	EA	New Drop Inlet Basin (Type B Frame & Grate) (Contingency item)	\$ _____	\$ _____
604.324	2	EA	4' Diameter Drain Manhole with Hinged Manhole Cover	\$ _____	\$ _____
604.4	7	LF	RECONSTRUCTING/ADJUSTING MASONRY FOR CATCH BASINS & DROP INLETS (Frame and Grate covered under 604.72 below)	\$ _____	\$ _____
604.51	4	LF	RECONSTRUCTING/ADJUSTING MASONRY FOR SEWER MANHOLES (Frame and Cover covered under 604.61 below)	\$ _____	\$ _____
604.52	4	LF	RECONSTRUCTING/ADJUSTING MASONRY FOR DRAINAGE MANHOLES (Frame and Cover covered under 604.62 below)	\$ _____	\$ _____

PROPOSAL FORM (continued)

ITEM #	EST. QTY.	UNITS	ITEM DESCRIPTION & UNIT PRICE IN WORDS	UNIT PRICE IN FIGURES	ITEM TOTAL IN FIGURES
604.61	6	EA	Provide New Hinged Sewer Manhole Covers if directed (32" or 24" as appropriate)	\$ _____	\$ _____
604.62	4	EA	Provide New Hinged Drain Manhole Covers if directed (32" or 24" as appropriate)	\$ _____	\$ _____
604.72	4	EA	Provide New CB Frame & Grate if directed (Existing Structures Only)	\$ _____	\$ _____
605.512	298	LF	12" Corrugated Perforated HDPE Underdrain With fittings as necessary	\$ _____	\$ _____
605.79	4	EA	Underdrain flushing basins	\$ _____	\$ _____
606.12	1442	LF	Beam Guardrail Standard Section (Steel Post)	\$ _____	\$ _____
606.1255	2	EA	Beam Guardrail Terminal Unit EAGRT	\$ _____	\$ _____
608.13	218	SY	3" Bituminous Sidewalk	\$ _____	\$ _____
608.24	2314	SY	4" Concrete Sidewalk	\$ _____	\$ _____
608.26	100	SY	6" Concrete Sidewalk in Ramp Areas	\$ _____	\$ _____
608.32	1	EA	Sidewalk Steel Plate	\$ _____	\$ _____

PROPOSAL FORM (continued)

ITEM #	EST. QTY.	UNITS	ITEM DESCRIPTION & UNIT PRICE IN WORDS	UNIT PRICE IN FIGURES	ITEM TOTAL IN FIGURES
608.54	12	SY	Detectable Warning Surface Panels Cast Iron	\$ _____	\$ _____
609.01	433	LF	New Straight Vertical Granite Curb 5" Wide	\$ _____	\$ _____
609.02	171	LF	New Curved Vertical Granite Curb 5" Wide	\$ _____	\$ _____
609.21	3241	LF	New straight sloped Granite Curb	\$ _____	\$ _____
609.23	109	LF	New curved sloped Granite Curb	\$ _____	\$ _____
609.5	200	LF	Reset Existing Curb (Indeterminate quantity)	\$ _____	\$ _____
611.90001	1	EA	Adjusting <u>Existing</u> Gate Valves and Stops to Finish Grade	\$ _____	\$ _____
614.321	25	LF	2" Steel Conduit	\$ _____	\$ _____
614.331	45	LF	3" Steel Conduit	\$ _____	\$ _____
614.72114	2200	LF	2" Schedule 40 PVC Conduit	\$ _____	\$ _____
614.72118	10	LF	2" Sch. 80 PVC Conduit (Contingency item)	\$ _____	\$ _____

PROPOSAL FORM (continued)

ITEM #	EST. QTY.	UNITS	ITEM DESCRIPTION & UNIT PRICE IN WORDS	UNIT PRICE IN FIGURES	ITEM TOTAL IN FIGURES
614.73114	1600	LF	3" Schedule 40 PVC Conduit for primary elec. 3' deep, no concrete encasement required. 2 ducts side by side	\$ _____	\$ _____
614.73118	200	LF	3" Sch. 80 PVC Conduit	\$ _____	\$ _____
614.513	1	EA	7'x5'x4' concrete pull box for primary electric	\$ _____	\$ _____
614.512	23	EA	Concrete Electrical Pull Boxes	\$ _____	\$ _____
615.0072	236	LB	Steel Breakaway Sign Posts	\$ _____	\$ _____
615.01	36	SF	Traffic Signs type A	\$ _____	\$ _____
615.012	24	U	Traffic Signs type A with breakaway mounts	\$ _____	\$ _____
615.014	15	U	Relocating Traffic Signs, type A	\$ _____	\$ _____
616.401	1	U	Relocating Traffic Signals Market/I95 NB	\$ _____	\$ _____
616.402	1	U	Relocating Traffic Signals Market/I95 SB	\$ _____	\$ _____
616.403	1	U	Relocating Traffic Signals Market/Kearsarge Way	\$ _____	\$ _____

PROPOSAL FORM (continued)

ITEM #	EST. QTY.	UNITS	ITEM DESCRIPTION & UNIT PRICE IN WORDS	UNIT PRICE IN FIGURES	ITEM TOTAL IN FIGURES
616.650	1	EA	Permanent Traffic Signal Detector Loop	\$ _____	\$ _____
618.61	600	HR	Portsmouth Police <u>sixty dollars and no cents per hour</u> (Only Exact Cost will be paid, estimated cost)	<u>\$60.00</u>	<u>\$36,000.00</u>
618.7	1500	HR	Uniformed Flaggers <u>eighteen dollars and fifty five cents per hour</u> (Only Exact Cost will be paid, estimated cost) (This is the City's current bid price with Project Flagging)	<u>\$18.55</u>	<u>\$27,825.00</u>
619.1	1	U	Maintenance of Traffic	\$ _____	\$ _____
625.2	19	EA	Light Pole Bases	\$ _____	\$ _____
626	1	EA	4'x5' Transformer Pad for single phase	\$ _____	\$ _____
628.2	6815	EA	Saw Bituminous Pavement	\$ _____	\$ _____
632.0104	7785	LF	4" Paint Striping (Chlorinated Rubber Paint)	\$ _____	\$ _____
632.0106	5448	LF	6" Paint Striping (Chlorinated Rubber Paint)	\$ _____	\$ _____
632.3112	720	LF	12" Thermoplastic Stop/Crosswalk	\$ _____	\$ _____
632.32	413	SF	Thermoplastic Symbol/Word	\$ _____	\$ _____
632.911	8953	LF	Obliterate Lines 12" wide or under	\$ _____	\$ _____

PROPOSAL FORM (continued)

ITEM #	EST. QTY.	UNITS	ITEM DESCRIPTION & UNIT PRICE IN WORDS	UNIT PRICE IN FIGURES	ITEM TOTAL IN FIGURES
632.92	17	SF	Obliterate Pavement Markings Symbols and Words	\$ _____	\$ _____
641A	900	CY	Loam for Planting Beds and soil amendment	\$ _____	\$ _____
641B	790	CY	Loam for Biomedian	\$ _____	\$ _____
644.516	1078	SY	Coastal Salt Tolerant Meadow Seed Mix	\$ _____	\$ _____
645.112	310	CY	Bark Mulch	\$ _____	\$ _____
645.531	100	LF	Silt Fencing or silt log	\$ _____	\$ _____
645.7	1	LS	SWPPP	\$ _____	\$ _____
645.71	128	HR	SWPPP Inspections	\$ _____	\$ _____
645.9	24	EA	Catch Basin Silt Sacks	\$ _____	\$ _____
646.512	1078	SY	Turf Establishment with Mulch and Loam	\$ _____	\$ _____
651.13	8	EA	JUNIPERUS VIRGINIANA	\$ _____	\$ _____
652.06	3	EA	ACER RUBRUM	\$ _____	\$ _____

PROPOSAL FORM (continued)

ITEM #	EST. QTY.	UNITS	ITEM DESCRIPTION & UNIT PRICE IN WORDS	UNIT PRICE IN FIGURES	ITEM TOTAL IN FIGURES
652.061	14	EA	ACER RUBRUM 'OCTOBER GLORY'	\$ _____	\$ _____
652.17	13	EA	BETULA NIGRA	\$ _____	\$ _____
652.52	7	EA	NYSSA SYLVATICA	\$ _____	\$ _____
652.95	35	EA	TILIA TOMENTOSA 'STERLING SILVER'	\$ _____	\$ _____
653.98	13	EA	ULMUS PARVIFOLIA 'ALLEE'	\$ _____	\$ _____
654.21	80	EA	ILEX GLABRA	\$ _____	\$ _____
654.211	445	Ea	ILEX GLABRA 'COMPACTA'	\$ _____	\$ _____
654.45	579	Ea	JUNIPERUS VIRGINIANA 'GREY OWL'	\$ _____	\$ _____
655.02	14	EA	AMELANCHIER CANADENSIS	\$ _____	\$ _____
655.801	56	EA	ILEX VERTICILLATA 'WINTER RED'	\$ _____	\$ _____
655.802	2	EA	ILEX VERTICILLATA 'JIM DANDY'	\$ _____	\$ _____
656.02	16	EA	MYRICA PENNSYLVANICA	\$ _____	\$ _____

PROPOSAL FORM (continued)

ITEM #	EST. QTY.	UNITS	ITEM DESCRIPTION & UNIT PRICE IN WORDS	UNIT PRICE IN FIGURES	ITEM TOTAL IN FIGURES
656.32	278	EA	RHUS AROMATICA 'LOW GROW'	\$ _____	\$ _____
656.42	445	EA	ROSA RUGOSA 'ALBA'	\$ _____	\$ _____
658.311	34	EA	ECHINACEA PURPUREA 'WHITE SWAN'	\$ _____	\$ _____
658.54	30	EA	LIATRIS SCARIOSA	\$ _____	\$ _____
658.79	165	EA	SCHIZACHYRIUM SCOPARIUM	\$ _____	\$ _____
658.86	141	EA	SPOROBOLIS HETEROLEPSIS	\$ _____	\$ _____
658.87	27	EA	SYMPHYOTRICHUM NOVAE-ANGLAIE	\$ _____	\$ _____
665.17	13	EA	STREET LIGHTING TYPE-A 24' SINGLE ARM	\$ _____	\$ _____
665.18	6	EA	STREET LIGHTING TYPE-B 24' DOUBLE ARM	\$ _____	\$ _____
665.91	2	EA	LIGHTING CABINET AND ELECTRICAL WORK FOR LIGHTING AND SERVICE	\$ _____	\$ _____
692	1	U	Mobilization	\$ _____	\$ _____

TOTAL FOR PROJECT BASE BID

In Figures \$ _____

In Words \$ _____

**PROPOSAL FORM FOR ADDITIONAL/ALTERNATIVE BID
CONSTRUCTION ITEMS**

It is mandatory to fill out this section as well.

413.1	6000	Lbs.	Crack Sealing	\$ _____	\$ _____
<hr/>					
419.1	20,500	Sy	Bonded Wearing Course, type C	\$ _____	\$ _____
<hr/>					
632.0104	4200	Lf	4" Paint Striping (Chlorinated Rubber Paint)	\$ _____	\$ _____
<hr/>					
632.3112	220	Lf	12" Thermoplastic Stop/Crosswalk	\$ _____	\$ _____
<hr/>					
632.32	400	Sf	Thermoplastic Symbol/Word	\$ _____	\$ _____
<hr/>					
632.911	4500	Lf	Obliterate Lines 12" wide or under	\$ _____	\$ _____
<hr/>					
632.92	400	Sf	Obliterate Pavement Markings Symbols and Words	\$ _____	\$ _____
<hr/>					

The contractor will be provided an extra 10 working days if the add-alt is selected for approval.

TOTAL FOR PROJECT ADDITIONAL/ALTERNATIVE BID

In Figures \$ _____

In Words \$ _____

To Bidder:

The City reserves the right, after bid opening and prior to award of the contract, to modify the amount of the work in the event that bids exceed budgeted amounts and/or easements and agreements from one or more impacted property owners are not received.

It is the intention of this contract that the items listed above describe completely and thoroughly the entirety of the work as shown on the plans and as described in the specifications. All other items required to accomplish the above items are considered to be subsidiary work, unless shown as a pay item.

**TOTAL FOR PROJECT (BASE BID + ADD ALTERNATIVE BID)
AND BASIS OF AWARD**

In Figures \$ _____

In Words \$ _____

The undersigned agrees that for extra work, if any, performed in accordance with the terms and provisions of the Contract Documents, the bidder will accept compensation as stipulated therein.

Date:

Company

By: _____
Signature

Business Address

Title: _____

City, State, Zip Code

Telephone: _____

We certify that the Company is currently pre-qualified with the State of New Hampshire for Road Construction.

By: _____
Signature & Title

Date

The Bidder has received and acknowledged Addenda No. _____ through _____.

All Bids are to be submitted on this form and in a sealed envelope, plainly marked on the outside with the Bidder's name and address and the Project name as it appears at the top of the Proposal Form.

In order to follow the City's sustainability practices, future bid invitations/specifications may be sent electronically. Please provide an email address as to where I could email future bid invitations/specifications of this type. Thank you in advance for your cooperation.

Email

Address: _____

SECTION 616

TRAFFIC SIGNALS

Amend Section 616 to include:

GENERAL:

All proposed traffic signal work shall conform to the New Hampshire Department of Transportation (NH DOT) 2016 Standard Specifications for Road and Bridge Construction, the current Manual on Uniform Traffic Control Devices Edition, or as amended in these documents.

Item 616.403 – Relocating Traffic Signals, Market / Kearsarge Way

This special provision provides for the relocation of the existing traffic signal pedestrian pole and all associated hardware on the south east corner of the intersection of Market Street with Kearsarge Way in the City of Portsmouth as identified on the project plans, including the new (or relocated) foundation, the reinstalled hardware, all necessary conduit, pull boxes, and wiring in the complete, activated and accepted signal system.

The system is coordinated with the following intersections:

- Market Street / I-95 SB
- Market Street I-95 NB

GENERAL:

All provisions of Section 616, except as modified or changed below, shall apply.

- 1- The Contractor shall be responsible for signal operation and maintenance once alterations to the existing signals, excavation or other work within 75 feet of the stop bar at any leg of the intersection has begun. At this point in time the Contractor shall notify the Bureau of Traffic and furnish the Contract Administrator and the Transportation Management Center (TMC) (tel. 603-271-6862) with names and phone numbers of persons to be contacted in case of a malfunction. The Contact person must be available 24 hours a day, seven days a week. The Contractor shall also keep a signal log in the cabinet to track all maintenance work they complete on the signal system. This log shall be placed within a plastic cover and shall at least include the description of the trouble call, corrective action taken, date, time, and personnel who completed the work.
- 2- The traffic signal must be inspected and approved by the Bureau of Traffic prior to placing in flash operation. The Contractor shall contact Peter Crouch at the Bureau of Traffic at (603) 271-2291 one week prior to turning the signals on flash. If the Contractor does not speak directly with Peter Crouch they must leave a detailed message with the Administrative Assistant and expect a call back. Leaving a message does not constitute an approval.
- 3- The Contractor shall be responsible for the dismantling and removing the existing signal heads and pole, foundation, existing electrical service, and feeds to the other existing signal equipment. All surplus equipment shall be salvaged and delivered to the Department of Transportation, Bureau of Traffic in Portsmouth, within normal business hours.
- 4- The Contractor shall be responsible for providing temporary signal operations while the existing signal is dismantled and relocated to the new location. Any temporary traffic signals that may be required to maintain traffic flow during construction shall be incidental including all labor, materials, equipment and other incidentals.

Materials

Add to 2.1:

2.1.3 List of Major Material- This list is for general information only. The contractor shall prepare their own material schedules based up their plan and field review.

- 1- Foundation for existing pedestrian signal pole. The foundation is relatively new and can be reused if feasible. Contractor to confirm existing dimensions and existing pole features. Contractor shall be responsible for determining anchor bolt pattern.

The contractor shall submit to the City of Portsmouth at least three copies of catalog cuts and/or shop drawings of the proposed equipment for review and approval prior to construction. Structural analysis of proposed foundation and anchor bolts, stamped by a professional engineer registered in New Hampshire, shall be included in the submission. Soil borings and related assessment shall also be provided that verifies the mast arm foundation design.

The Contractor shall take care to salvage all existing signal equipment for reinstallation. Damage to signal equipment and hardware due to the Contractor's negligence shall be repaired or replaced by the Contractor at no expense to the Owner.

The Contractor is responsible for all junction boxes, trenching, conduits, backfill, and wiring to connect the relocated pole and signals into the existing traffic signal system and controller.

Method of Measurement

4.1 Item 616.403 – Relocating Traffic Signals, Market / Kearsarge Way will be measured as a unit.

4.1.1 No separate payment will be made for concrete, steel, paint, signs, wiring, cable pulling, sawcutting, cold planing, excavation, conduit, pull boxes, backfill, surface restoration, and electrical meters, required for the complete traffic signal assembly as shown on the Plans or as ordered.

Basis of Payment

5.1 The accepted quantity of 616.403 – Relocating Traffic Signals, Market / Kearsarge Way will be paid for at the Contract lump sum price complete in place.

5.1.1 All work for failures due to pre-existing conditions will be negotiated and paid for as extra work as provided in 109.04. The labor and equipment necessary to complete this application will be subsidiary.

REV.	ALTERATION	DATE	BY
A	LENS WAS FLAT	01/08/16	T.B

LUMINAIRE SPECIFICATIONS

CATALOGUE NO.: K833-P4RAD-II-150(SSL)
-8084-120:277 S/F KPL20

QUANTITY:
GLOBE MAT'L: FLAT ARRAY, ACRYLIC DEEP DISH
IES CLASSIFIC.: TYPE II
WATTAGE: 150W (8084 SERIES)
LIGHT SOURCE: SOLID STATE LIGHTING
CCT/DIODE: 4000K/HE5
LINE VOLTAGE: 120:277V
PAINT: TEXTURED BLACK
(INCLUDING HARDWARE)

OPTIONS: S/F KPL-20 LEVELING DEVICE

ARM SPECIFICATIONS

CATALOGUE NO.: KA72-T-1-6'-KPL20

QUANTITY:
MATERIAL: ALUMINUM
PAINT: TEXTURED BLACK
(INCLUDING HARDWARE)

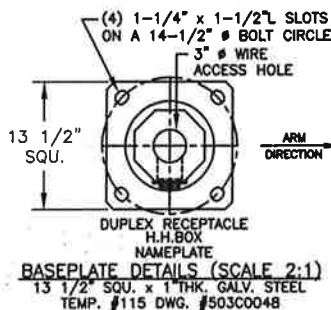
OPTIONS: KPL-20 LEVELING DEVICE

POLE SPECIFICATIONS

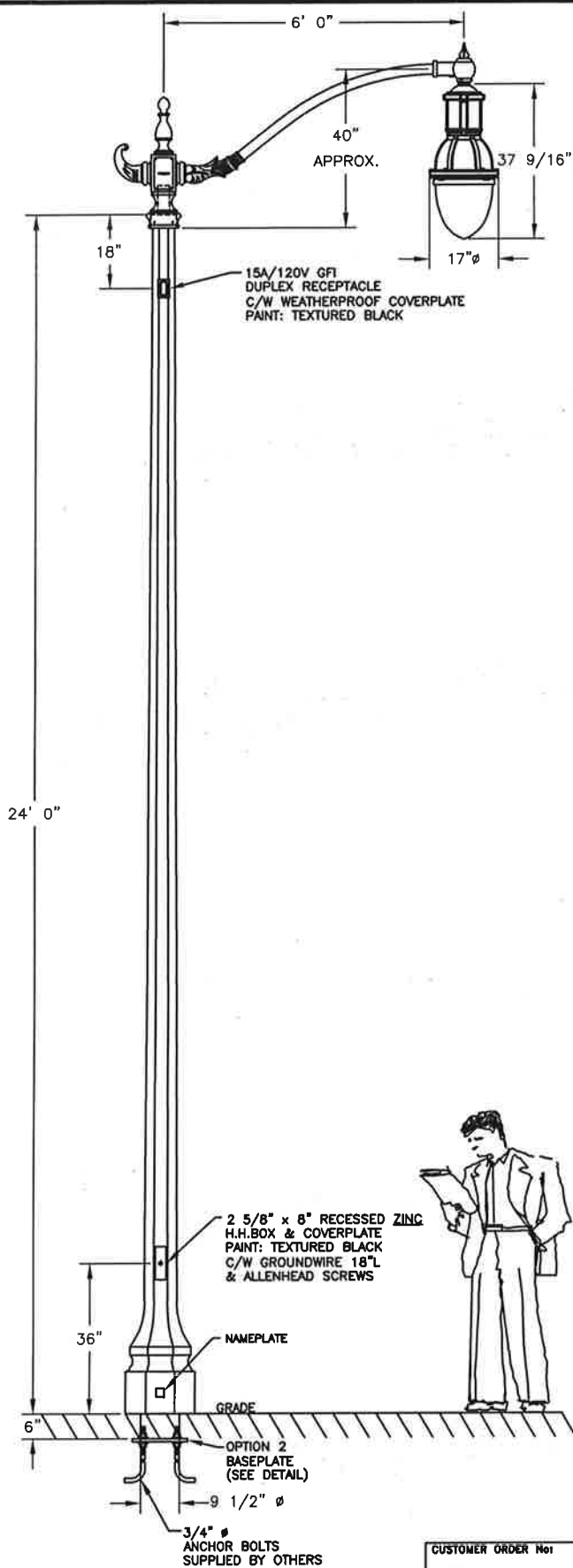
CATALOGUE NO.: KBH24-G-S11-SBP
C/W 140-30/70 & DR

QUANTITY:
SECTION: OCTAGONAL
COLOUR: ECLIPSE
FINISH: POLISHED
POLE TOP: 5 7/16" FL/FL
POLE BUTT: 9 1/2" ϕ
POLE LENGTH: 24' 6"
APPROX WEIGHT: 1,375 lbs.
MIN. RACEWAY: 1 1/8" ϕ



COATINGS REQUIRED:
-2 COATS ACRYLIC
FULL LENGTH



CUSTOMER APPROVAL & DATE:



CUSTOMER ORDER No:	-
STRESSCRETE ORDER No:	-
KMFG. ORDER No:	-
KING U.S. ORDER No:	-

 		Manufacturing Locations: Burlington, Ontario 1-800-268-7809 Northport, Alabama 1-800-435-6563 Atchison, Kansas 1-800-837-1024 Jefferson, Ohio 1-800-268-7809	
King Luminaire • StressCrete • Est. 1953 STRESSCRETE GROUP			
PROJECT/CUSTOMER: MARKET STREET GATEWAY – PORTSMOUTH, NH			
DRAWN BY: TASHI B.	AT: SC1	CHECKED BY:	DATE: 01/08/16
DRAWING TYPE: CONCEPT DWG.		DRAWING NUMBER: 206A8549-1	
		REVISION: A	

REV.	ALTERATION	DATE	BY
A	LENS WAS FLAT	01/08/16	T.B

LUMINAIRE SPECIFICATIONS

CATALOGUE NO.: K833-P4RAD-II-150(SSL)
-8084-120:277 S/F KPL20

QUANTITY:
GLOBE MAT'L: FLAT ARRAY, ACRYLIC DEEP DISH
IES CLASSIFIC.: TYPE II
WATTAGE: 150W (8084 SERIES)
LIGHT SOURCE: SOLID STATE LIGHTING
CCT/DIODE: 4000K/HE5
LINE VOLTAGE: 120:277V
PAINT: TEXTURED BLACK
(INCLUDING HARDWARE)

OPTIONS: S/F KPL-20 LEVELING DEVICE

ARM SPECIFICATIONS

CATALOGUE NO.: KA72-T-2-6'-KPL20

QUANTITY:
MATERIAL: ALUMINUM
PAINT: TEXTURED BLACK
(INCLUDING HARDWARE)

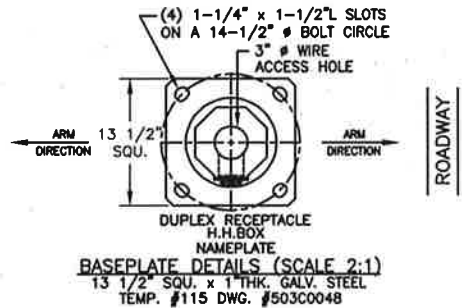
OPTIONS: KPL-20 LEVELING DEVICE

POLE SPECIFICATIONS

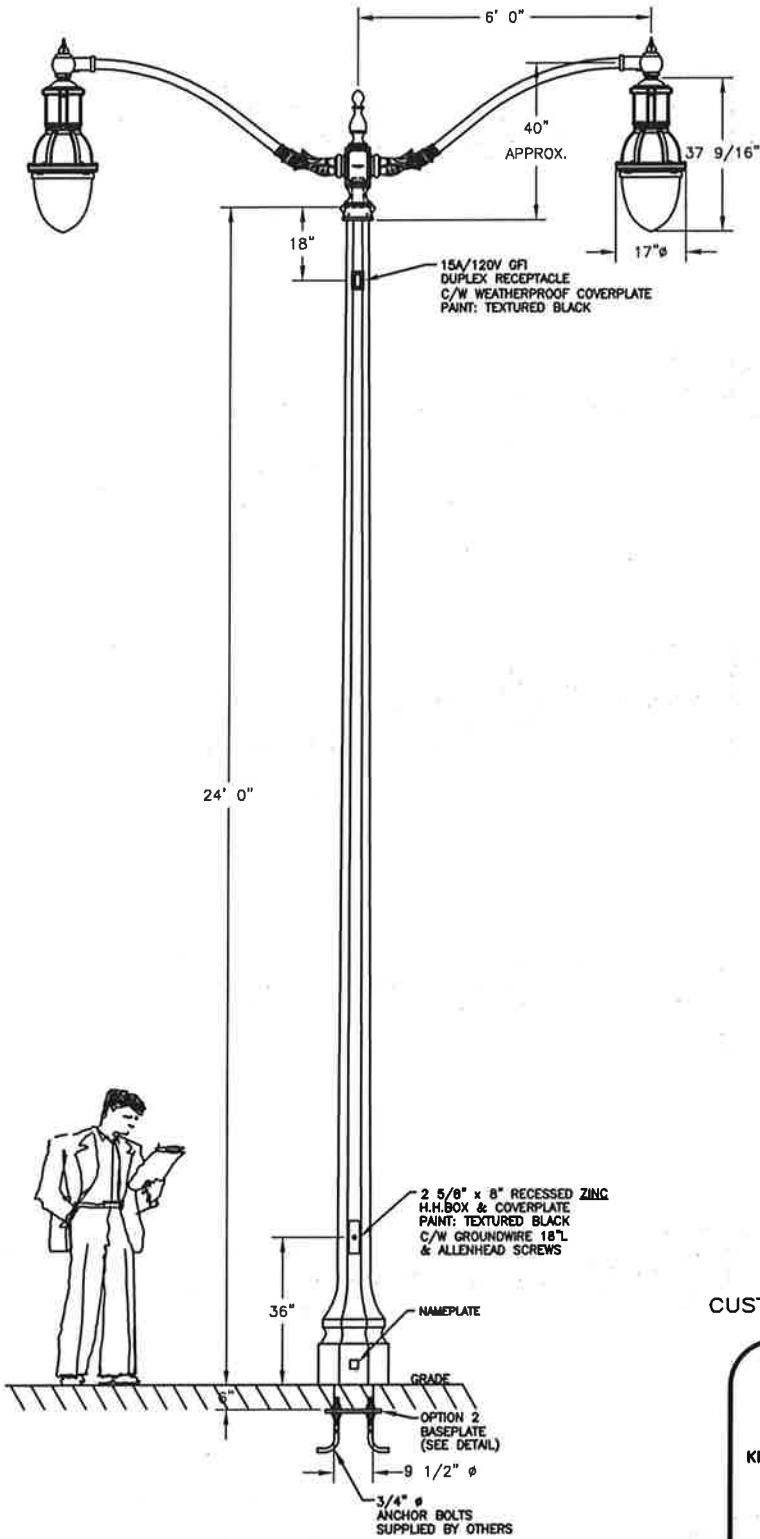
CATALOGUE NO.: KBH24-G-S11-SBP
C/W 140-30/70 & DR

QUANTITY:
SECTION: OCTAGONAL
COLOUR: ECLIPSE
FINISH: POLISHED
POLE TOP: 5 7/16" FL/FL
POLE BUTT: 9 1/2" ϕ
POLE LENGTH: 24' 6"
APPROX WEIGHT: 1,375 lbs.
MIN. RACEWAY: 1 1/8" ϕ



COATINGS REQUIRED:
-2 COATS ACRYLIC
FULL LENGTH



CUSTOMER APPROVAL & DATE: _____



CUSTOMER ORDER No:	-
STRESSCRETE ORDER No:	-
KMFG. ORDER No:	-
KING U.S. ORDER No:	-

 		Manufacturing Locations: Burlington, Ontario 1-800-268-7809 Northport, Alabama 1-800-435-6563 Atchison, Kansas 1-800-837-1024 Jefferson, Ohio 1-800-268-7809	
King Luminaire • StressCrete • Est. 1953 STRESSCRETE GROUP			
PROJECT/CUSTOMER: MARKET STREET GATEWAY - PORTSMOUTH, NH			
DRAWN BY: TASHI B.	AT: SC1	CHECKED BY:	DATE: 01/08/16
DRAWING TYPE: CONCEPT DWG.		DRAWING NUMBER: 206A8549-2	