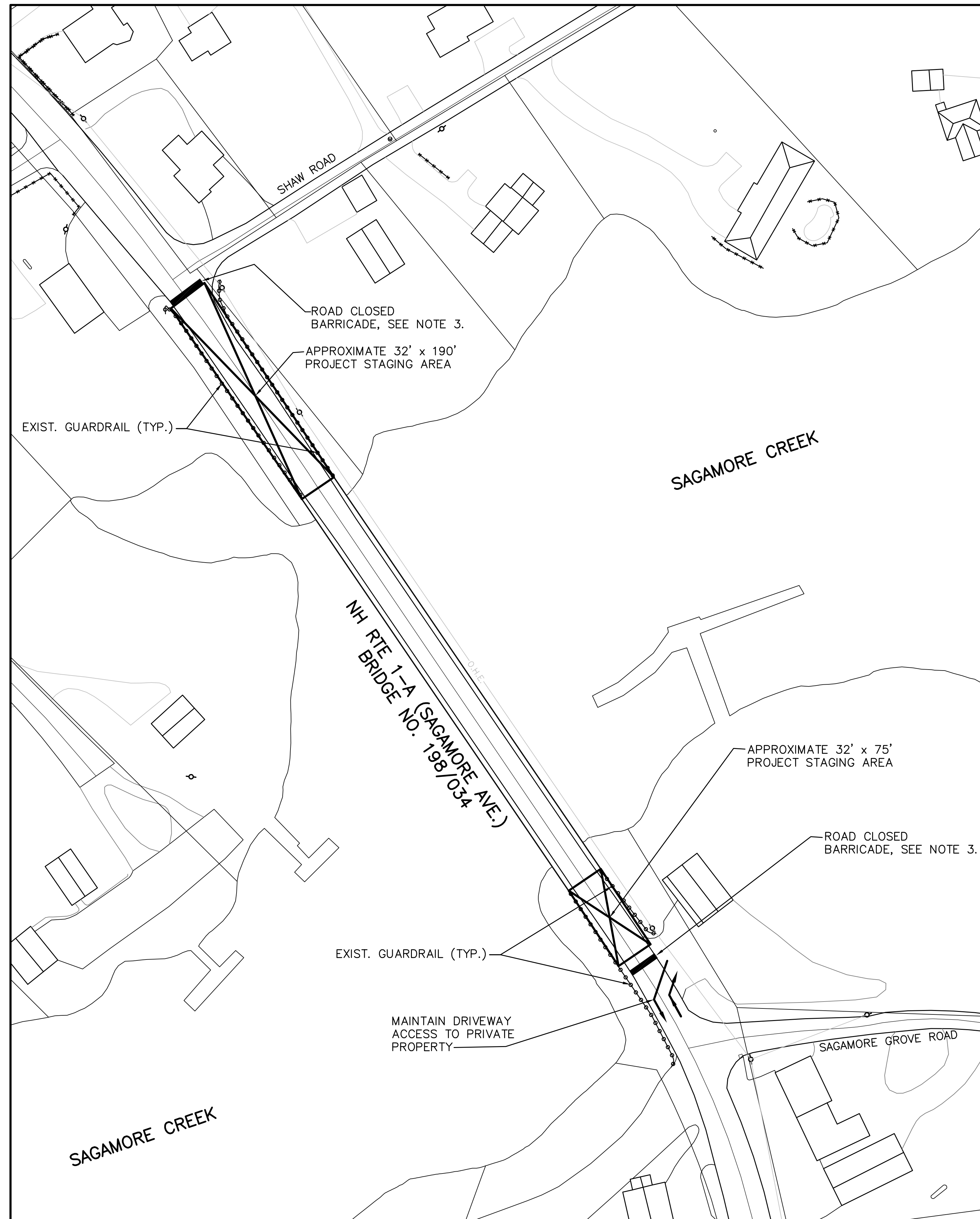
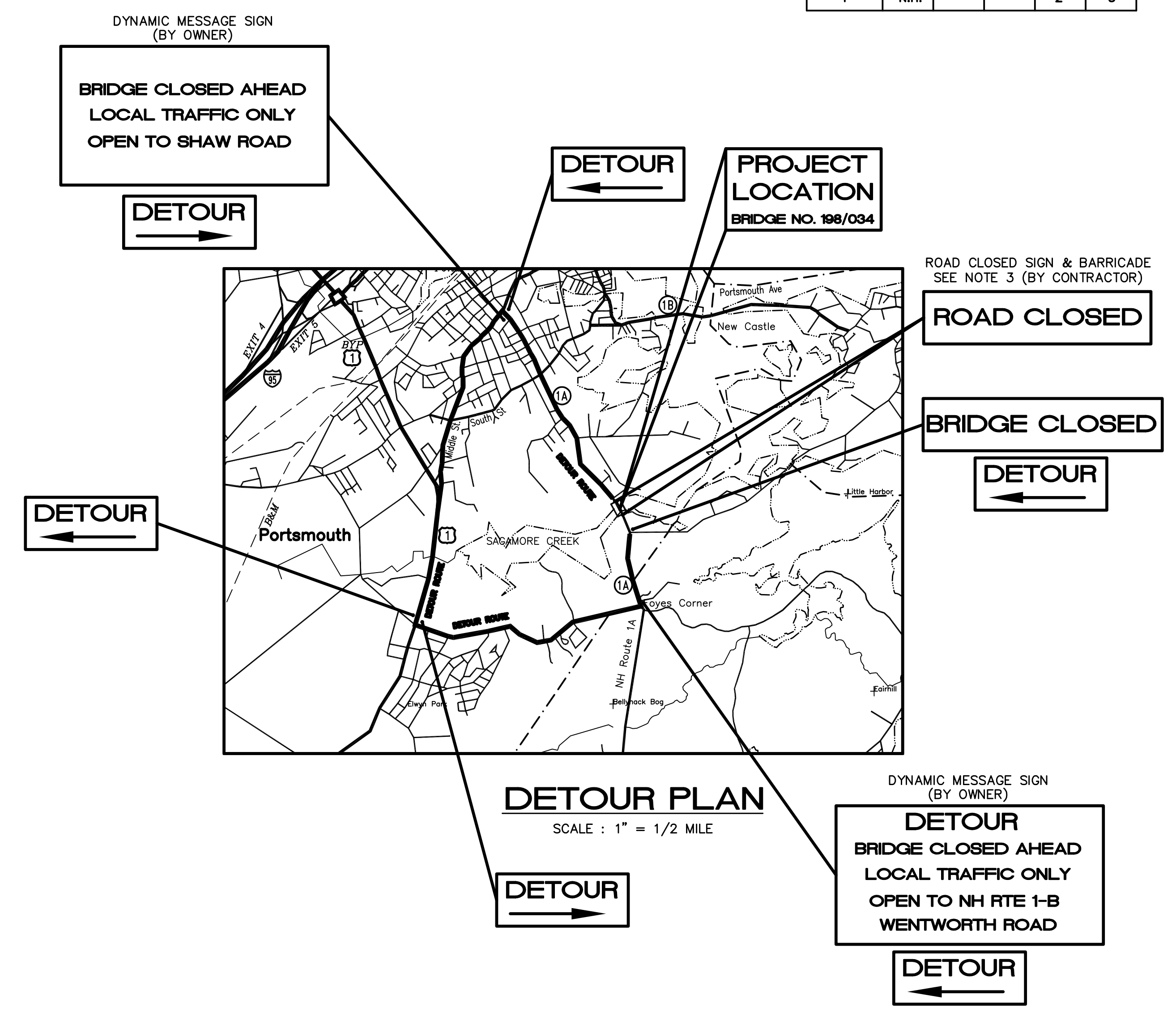


FED. ROAD DIV. NO.	STATE	PROJ.	FISCAL YEAR	SHEET NO.	TOTAL SHEETS
1	N.H.			2	5



SITE / STAGING PLAN
APPROX. SCALE : 1" = 50'



SITE / STAGING PLAN NOTES:

- PROJECT STAGING AREAS SHOWN ARE APPROXIMATE. ALL CONSTRUCTION OPERATIONS TO BE MAINTAINED WITHIN THE EXISTING RIGHT OF WAY UNLESS SPECIFIC EASEMENTS AND RIGHT OF ENTRY IS OBTAINED BY THE CONTRACTOR FOR THE PROPOSED WORK PLAN.
- ALL PROJECT STAGING AREAS AND WORK SHALL BE ABOVE TOP OF BANK ELEVATION OF SAGAMORE CREEK.

DETOUR & TRAFFIC CONTROL NOTES:

- THE EXISTING TRUCK DETOUR CURRENTLY IN PLACE WILL SERVE AS THE "ALL-TRAFFIC" DETOUR DURING THE TWO WEEK CLOSURE FOR BRIDGE REPAIR WORK.
- THE OWNER WILL FURNISH, INSTALL, AND MAINTAIN DETOUR SIGNAGE.
- THE CONTRACTOR SHALL FURNISH, INSTALL AND MAINTAIN ROAD CLOSED BARRICADES AT THE PROJECT STAGING AREAS ON EACH END OF THE BRIDGE AS REQUIRED TO PROVIDE WORK ZONE ISOLATION, SAFETY, AND WORK ACCESS. EACH ROAD CLOSED BARRICADE, AT A MINIMUM, SHALL CONSIST OF WEIGHTED ORANGE TRAFFIC BARRELS AT 4' O/C, BARRICADE WARNING BOARD, ROAD CLOSED SIGN, AND FLASHING YELLOW BARREL-MOUNTED WARNING LIGHTS. ROAD CLOSED BARRICADES AND ALL INCIDENTAL WORK SHALL BE SUBSIDIARY TO ITEM 692 - MOBILIZATION.
- ONE-WAY ALTERNATING TRAFFIC SHALL BE MAINTAINED DURING THE PRE-CONSTRUCTION ACCESS FOR BRIDGE INSPECTION PROVIDED UNDER ITEM 500.052. THE OWNER WILL PROVIDE 2 UNIFORMED OFFICERS FOR TRAFFIC CONTROL DURING THE INSPECTION. CONTRACTOR SHALL PROVIDE SIGNAGE, CONES, AND ALL OTHER TRAFFIC CONTROL DEVICES AND INCIDENTALS TO MAINTAIN THE ALTERNATING ONE-WAY TRAFFIC IN ACCORDANCE WITH NHDOT WORK ZONE TRAFFIC CONTROL STANDARD PLANS (AVAILABLE ON LINE AT WWW.NHDOT.COM) AND MUTCD REQUIREMENTS.

R:\VB-04H01\01-SAGAMORE BEAM REPAIRS TITLE & DETOUR Plan.dwg 01/11/10 14:48 [43.91] By puliaf_

DES.	CHK.	EAM
JG	CHK.	JG
DR.	CHK.	JG
EST.	CHK.	PPH

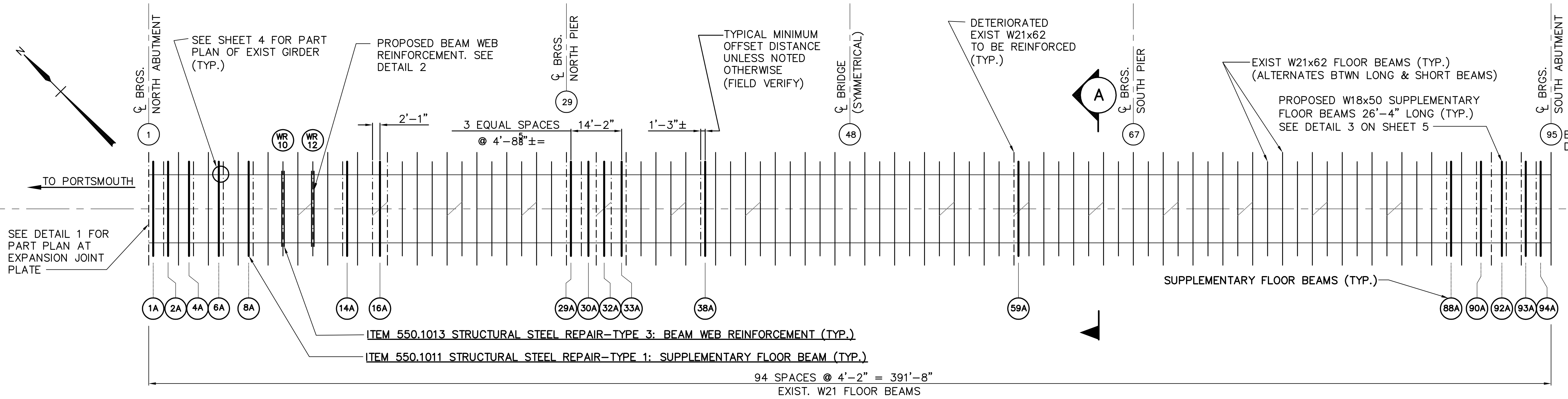
FS & T FILE NO.	ENGINEER IN CHARGE
VG-064	

CITY OF PORTSMOUTH, NEW HAMPSHIRE PUBLIC WORKS DEPARTMENT	
BRIDGE NO. 198/034	STATE PROJECT 14493A
FEDERAL PROJECT N/A	
LOCATION NH ROUTE 1A (SAGAMORE AVE.) OVER SAGAMORE CREEK	

DETOUR & SITE STAGING PLAN			
BY	DATE	BY	DATE
DESIGNED J.G. GOUDREAU	09/09	CHECKED E.J. MACHNIK	11/09
DRAWN J.G. GOUDREAU	09/09	CHECKED P.F. HARRINGTON	11/09
TRACED -	-	CHECKED -	-
QUANTITIES J.G. GOUDREAU	-	CHECKED P.F. HARRINGTON	11/09

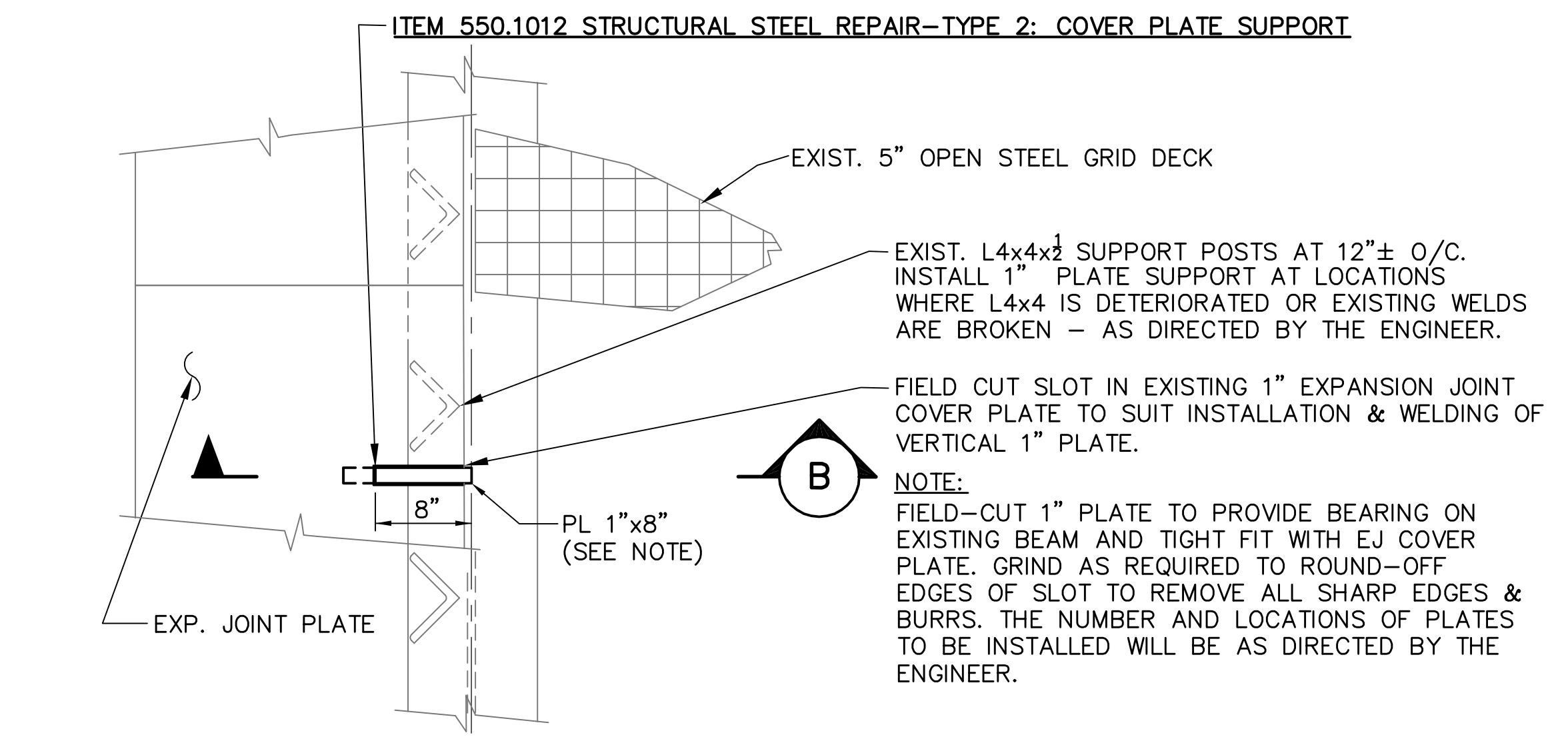
FAY, SPOFFORD & THORNDIKE, LLC BOSTON, MA - BURLINGTON, MA - BEDFORD, NH - EAST BERLIN, CT	REVIEWED BY	FEDERAL PROJ. NO.	SHEET NO.	TOTAL SHEETS
		-	2	5

FED. ROAD DIV. NO.	STATE	PROJ.	FISCAL YEAR	SHEET NO.	TOTAL SHEETS
1	N.H.			4	5

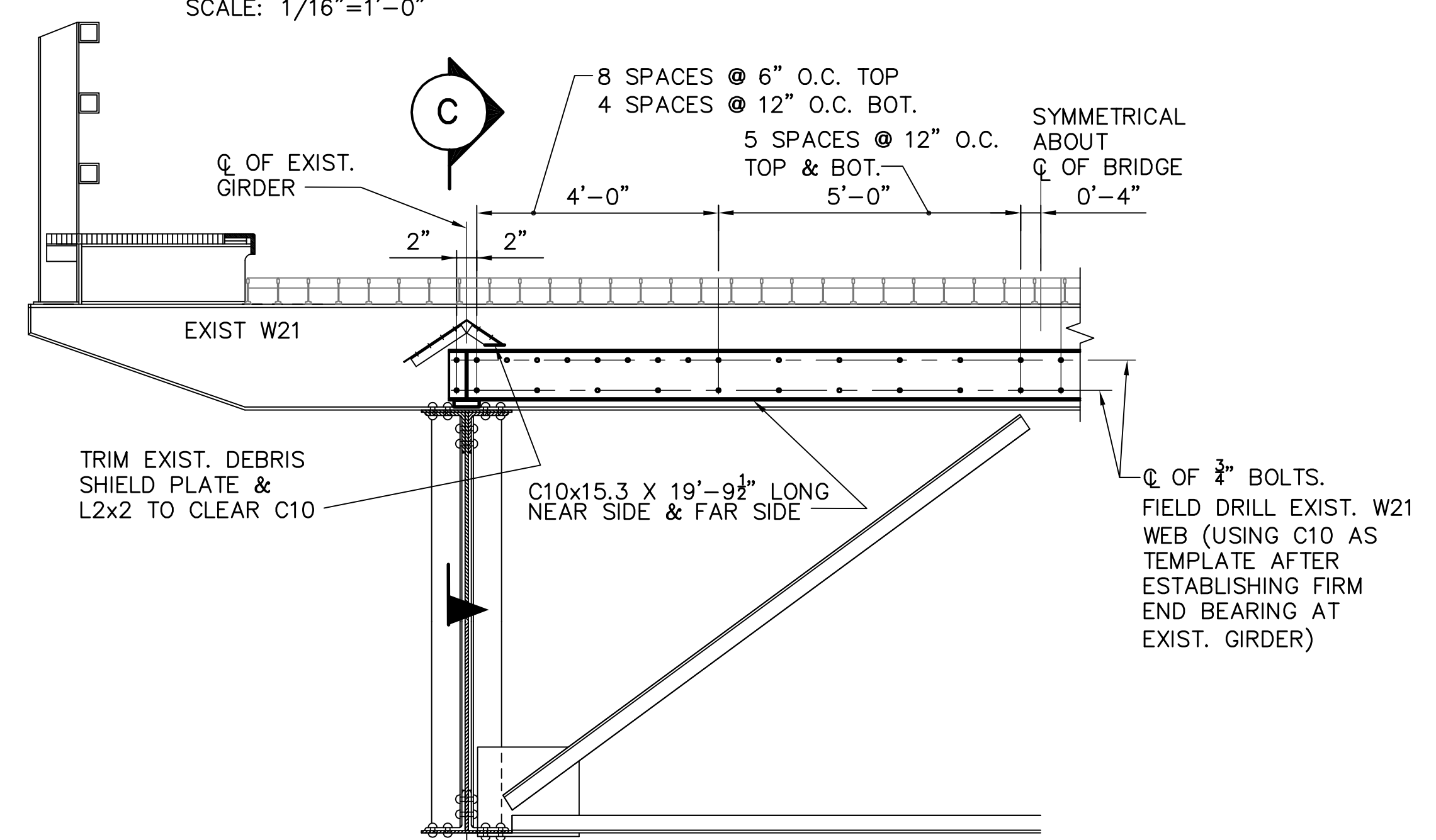


FRAMING PLAN
SCALE: 1/16"=1'-0"

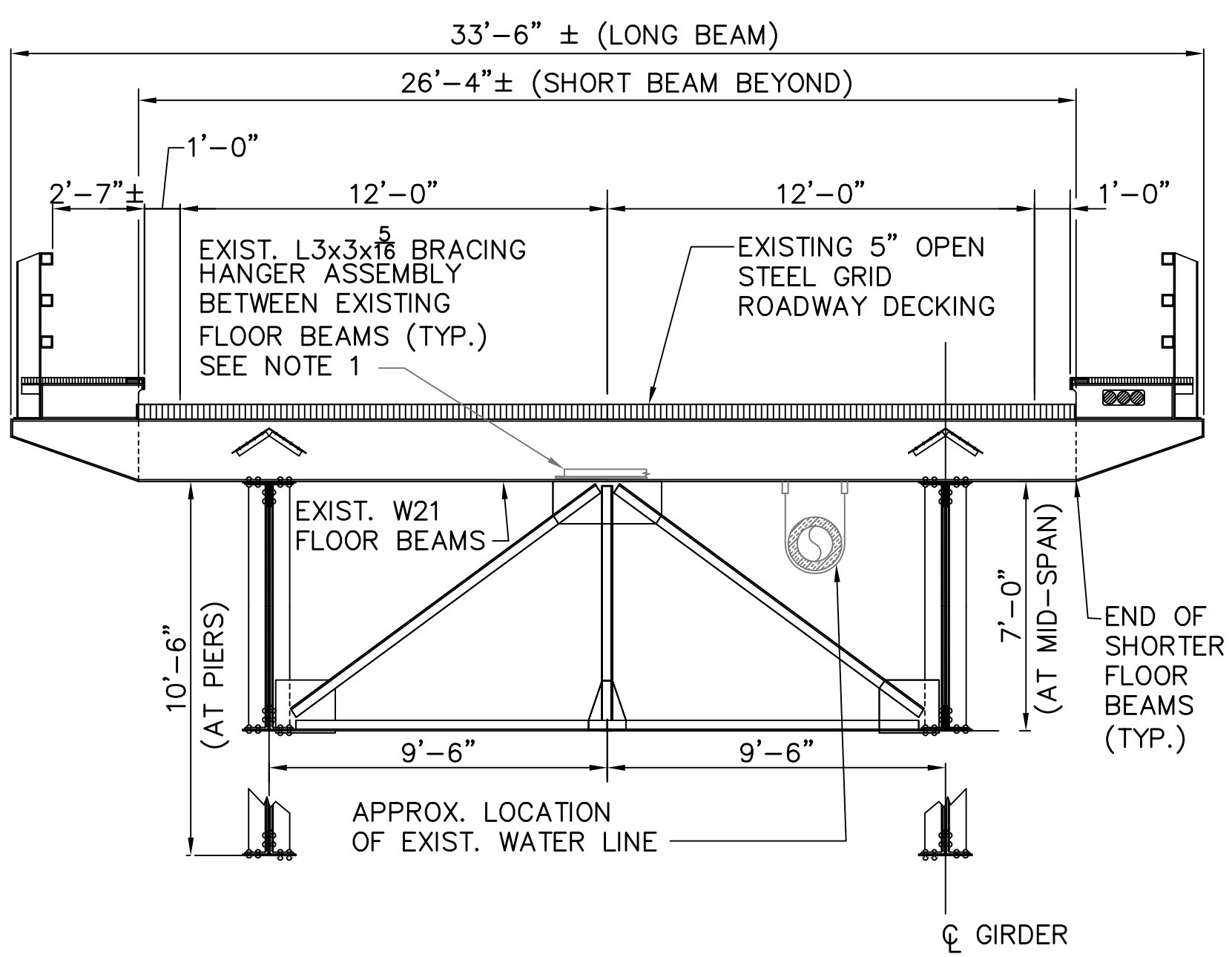
- LEGEND**
- 48 EXIST. FLOOR BEAM NUMBER 48 (95 TOTAL)
 - 4A PROPOSED SUPPLEMENTARY FLOOR BEAM ADJACENT TO EXIST. FLOOR BEAM NUMBER 4
 - WR10 PROPOSED C10 REINFORCING ON WEB OF EXIST. FLOOR BEAM NUMBER 10.
- NOTES:**
- EXIST. L3x3x5/16 BRACING HANGER ASSEMBLY BETWEEN EXISTING FLOOR BEAMS (TYP.) IF THE EXISTING HANGER ARM INTERFERES WITH THE PLACEMENT OF THE SUPPLEMENTARY FLOOR BEAM OR IF IT REQUIRES REPLACEMENT, THE CONTRACTOR SHALL MODIFY OR REPLACE THE HANGER ARM AS DIRECTED BY THE ENGINEER. TO BE PAID UNDER **ITEM 550.1014 STRUCTURAL STEEL REPAIR TYPE MISCELLANEOUS STRUCTURAL STEEL REPAIRS**



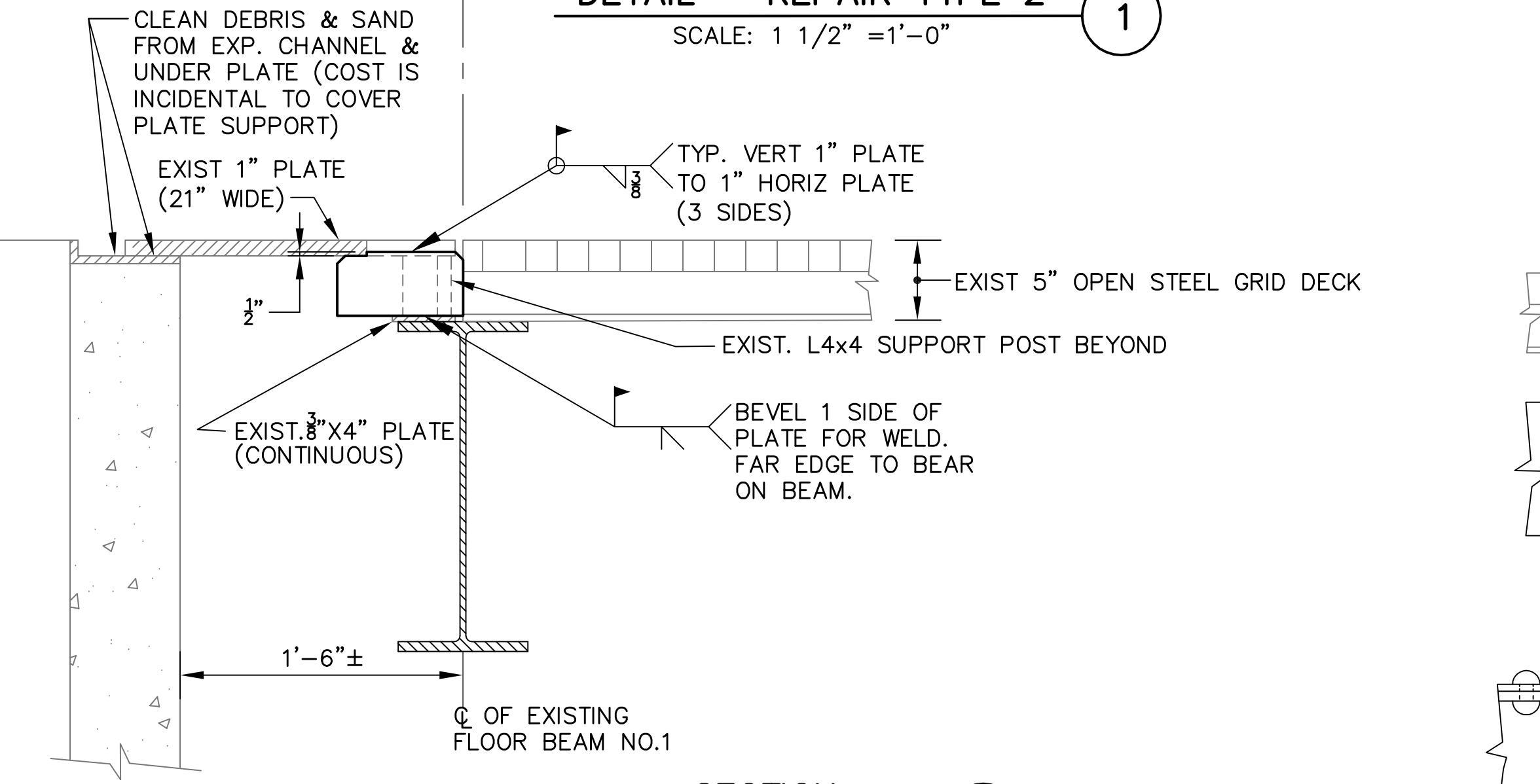
PART PLAN - EXP. JT PLATE
DETAIL - REPAIR TYPE 2
SCALE: 1 1/2"=1'-0"



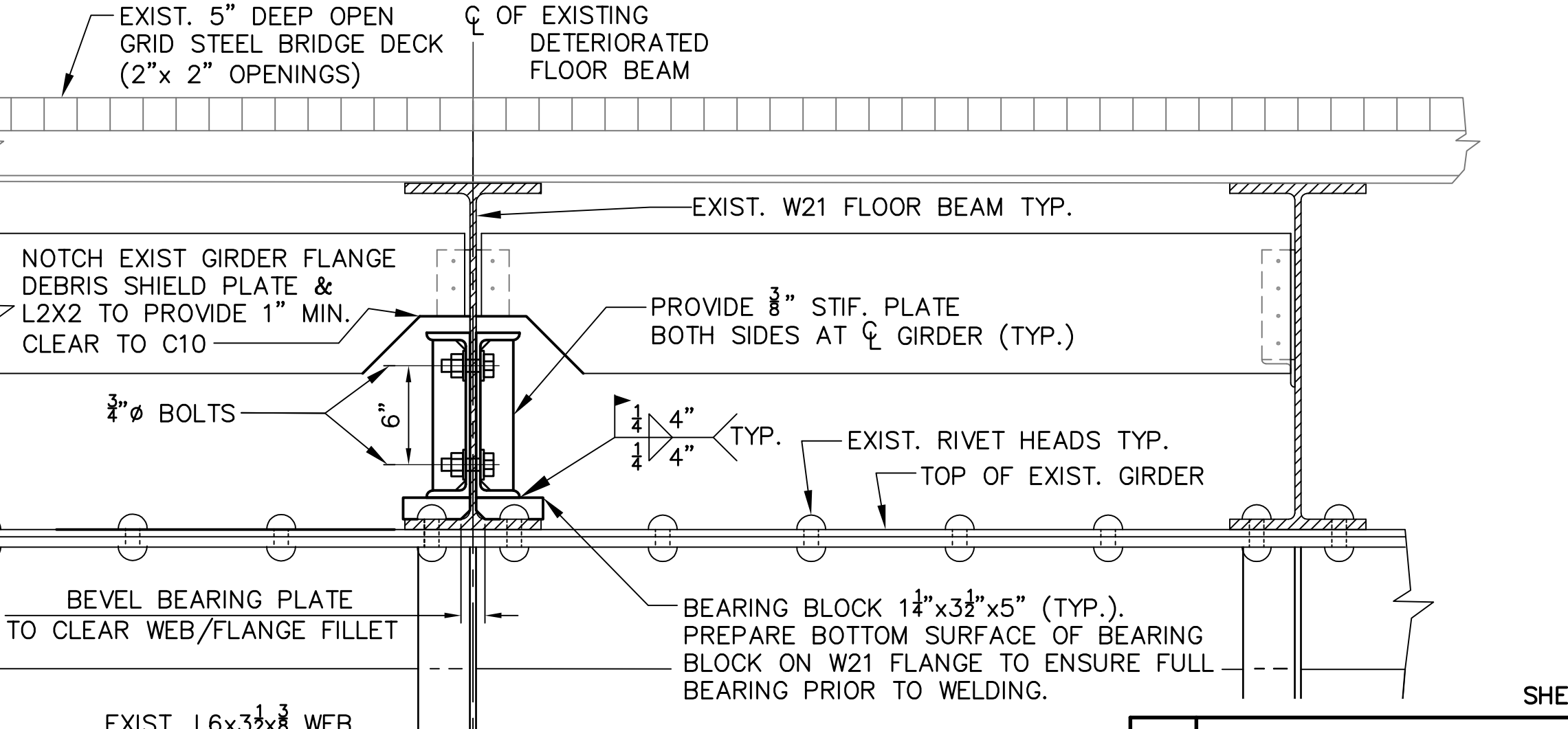
DETAIL - REPAIR TYPE 3
SCALE: 1/2"=1'-0"



TYPICAL EXIST. SECTION AT LONG FLOOR BEAMS
(LOOKING NORTH)
SCALE: 1/4"=1'-0"



SECTION B
SCALE: 1 1/2"=1'-0"



SECTION C
SCALE: 1 1/2"=1'-0"

SHEET SCALE: AS NOTED

CITY OF PORTSMOUTH, NEW HAMPSHIRE PUBLIC WORKS DEPARTMENT			
BRIDGE NO. 198/034		STATE PROJECT 14493A	
FEDERAL PROJECT N/A			
LOCATION NH ROUTE 1A (SAGAMORE AVE.) OVER SAGAMORE CREEK			

FRAMING PLAN AND SECTIONS			
BY	DATE	BY	DATE
DESIGNED J.G. GOUDREAU	09/09	CHECKED E.J. MACHNIK	11/09
DRAWN J.G. GOUDREAU	09/09	CHECKED P.F. HARRINGTON	11/09
TRACED -	-	CHECKED -	-
QUANTITIES J.G. GOUDREAU	-	CHECKED P.F. HARRINGTON	11/09

FAY, SPOFFORD & THORNDIKE, LLC BOSTON, MA - BURLINGTON, MA - BEDFORD, NH - EAST BERLIN, CT		REVIEWED BY	FEDERAL PROJ. NO.	SHEET NO.	TOTAL SHEETS
			-	4	5

N:\ZB-04H01 - SAGAMORE BRIDGE\2009 - Emergency Repairs\ACAD\03-18sis\FLOOR BEAMS FRAMING PLAN & SECTION.dwg 01/11/10 11:26 [123.86] By trull_j

FS & T FILE NO.	VC-064	ENGINEER IN CHARGE
EAM	JG	PFH
CHK.	CHK.	CHK.
JG	JG	JG
DES.	DR.	EST.

